

EDCON-COMPONENTS



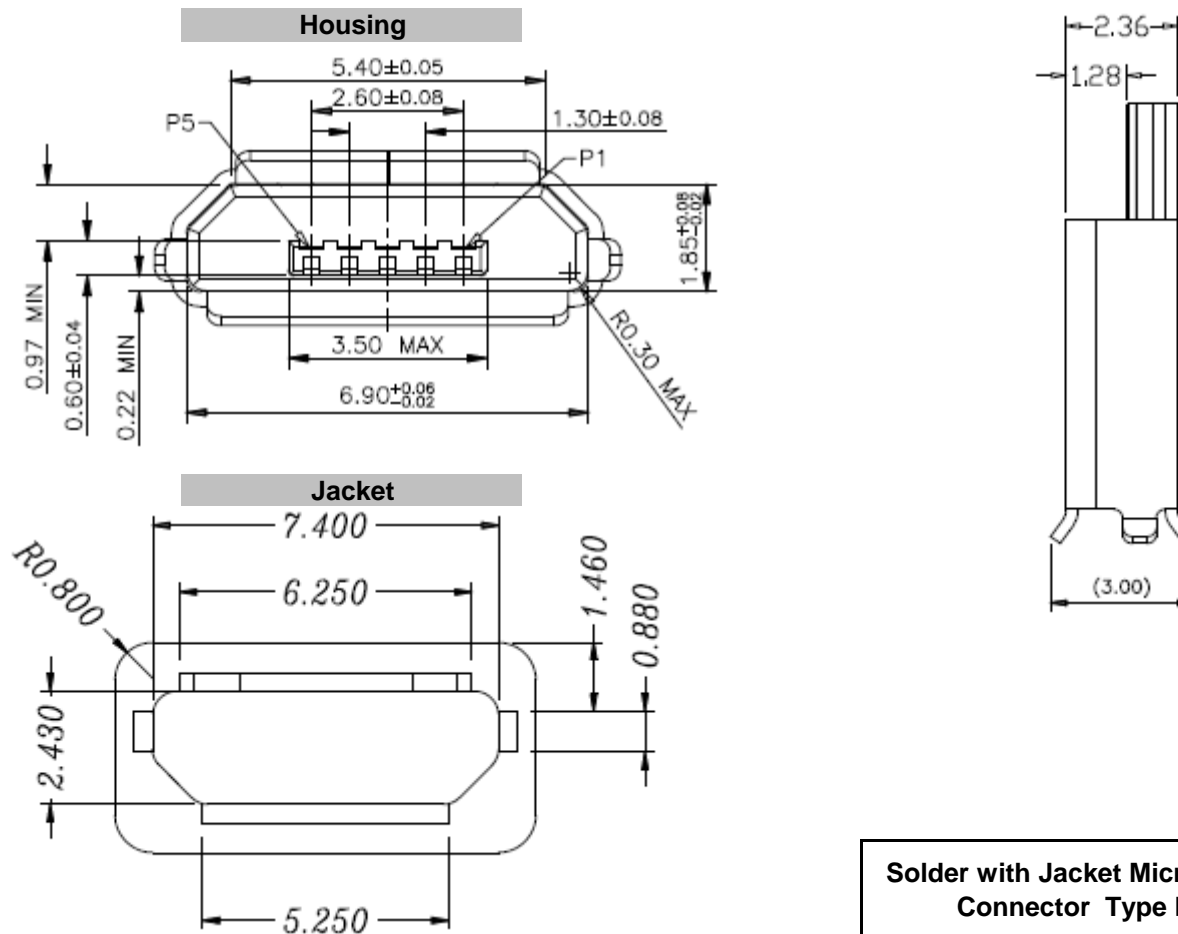
Specifications

Voltage Rating:	30 VAC
Current Rating:	1,0A
Operating Temperature:	- 30°C to + 80°C
Contact Resistance:	50m Ohm max.
Withstanding Voltage:	100VAC min.
Insulation Resistance:	>100M Ohm min.
Contact Thickness:	0,25mm

Material:

Insulator :	look order code
Color:	look order code
Contact Material:	look order code
Contact Type:	Stamped
Contact Plating:	look order code
Shielding:	look order code
Lifetime:	1000 cycles min.
Force:	3,57kgf

Drawing (dimensions all into mm)

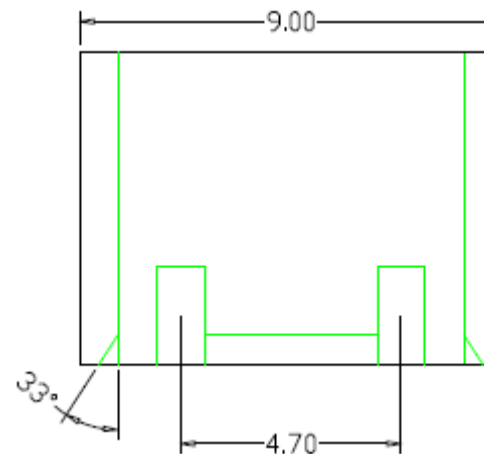
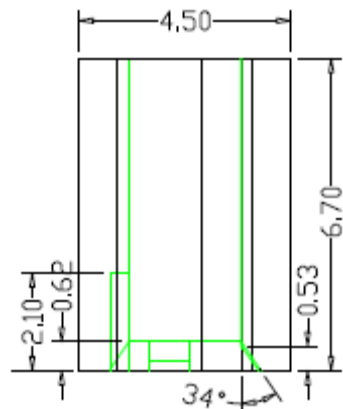


Solder with Jacket Micro USB Connector Type B

Part No.: **T64078**

DRW:	Jason	CHKD	Wilson	MATL:	Wilson	TOLERANCE	Mason	DATE	15.08.2015
APPD:	Schumi			FINISH	Jamy		Sheet No.	1 from 4	Customer:

EDCON-COMPONENTS



**Solder with Jacket Micro USB
Connector Type B**

Part No.: **T64078**

DRW:	Jason	CHKD	Wilson	MATL:	Wilson	TOLERANCE	Mason	DATE	15.08.2015	Customer:
APPD:	Schumi			FINISH	Jamy		Sheet No.	2 from 4		

EDCON-COMPONENTS



Ordering Informations

Serie	Color Inside	Shell Material	Insulator Material	Contact Material	Contact Plating	Special function	Packing	Packing		
T64078	BK	B	P	B	G0	0	R	BU		

BK= Black Color	B= Brass	P= PBT + 30% GF	B= Brass	G0= Gold Flash (Standard) G1= 3µ Gold G1= 5µ Gold G1= 10µ Gold G1= 15µ Gold G1= 30µ Gold	0= No Special function	R= ROHS conform	BU= Bulk Ware
WH= White Color	I= Iron	L= LCP	P= Phosphor Copper			N= NON ROHS conform	TY= Tray Packing
	S= Stainless Steel						TR= Tape / Reel w. Pic and Place Foil
							IV= Individual Packing

PIC and PLACE FOIL for automatic assembly machine



Solder with Jacket Micro USB Connector Type B

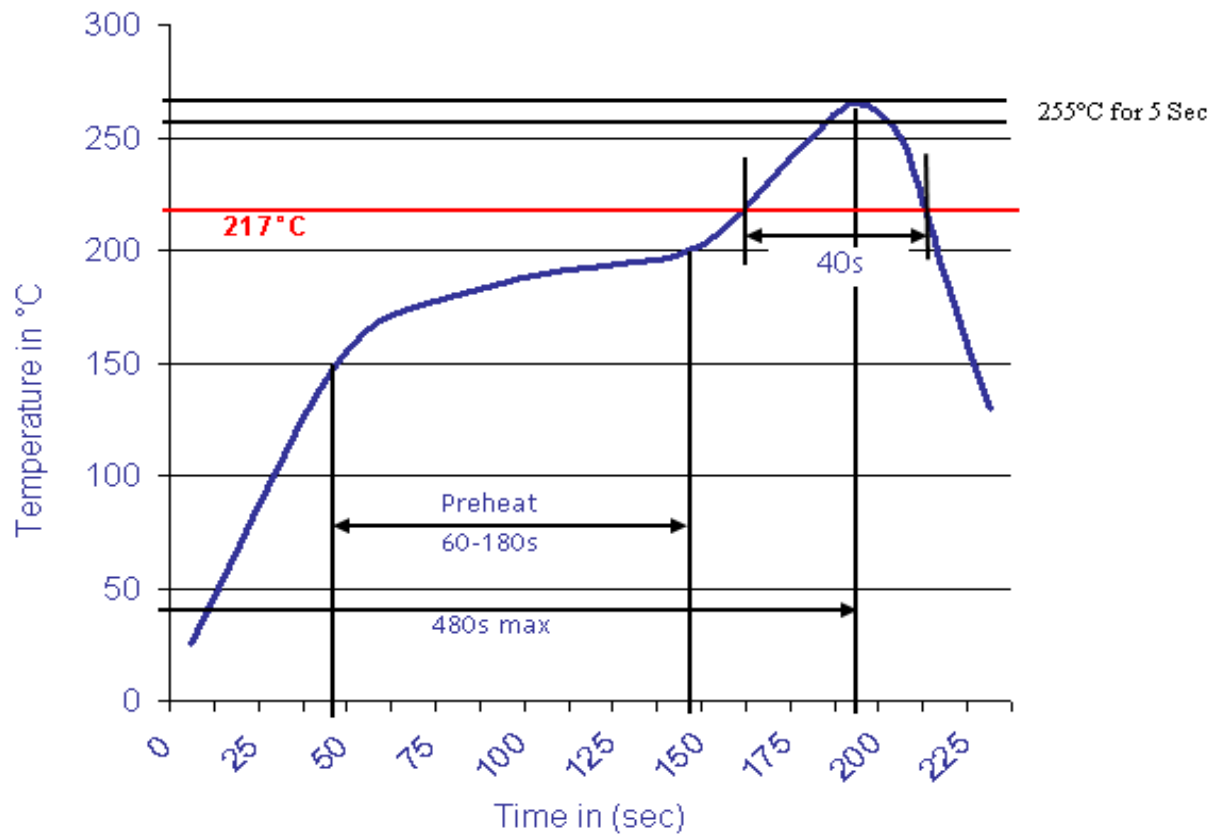
Part No.: **T64078**

DRW:	Jason	CHKD	Wilson	MATL:	Wilson	TOLERANCE	Mason	DATE	15.08.2015	Customer:
APPD:	Schumi			FINISH	Jamy			Sheet No.	3 from 4	



Soldering Profile Curve

Classification Reflow Profile (JEDEC J-STD-020C)



**Solder with Jacket Micro
USB Connector Type B**

Part No.: **T64078**

DRW:	Jason	CHKD	Wilson	MATL:	Wilson	TOLERANCE	Mason	DATE	15.08.2015	Customer:
APPD:	Schumi			FINISH	Jamy		Sheet No.	4 from 4		