

EDCON-COMPONENTS



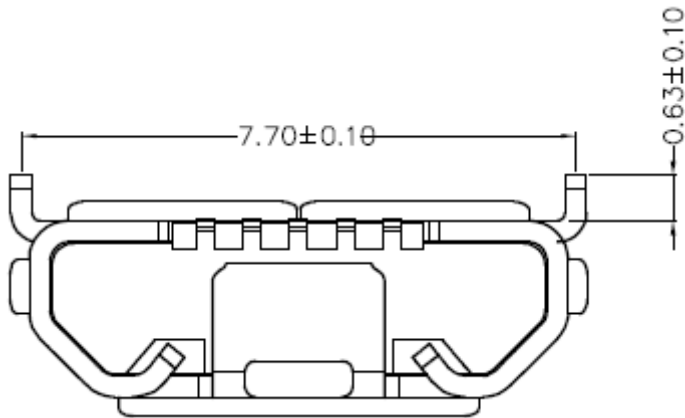
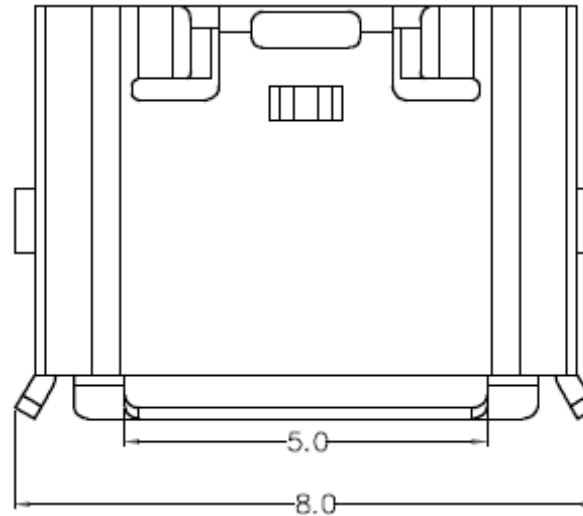
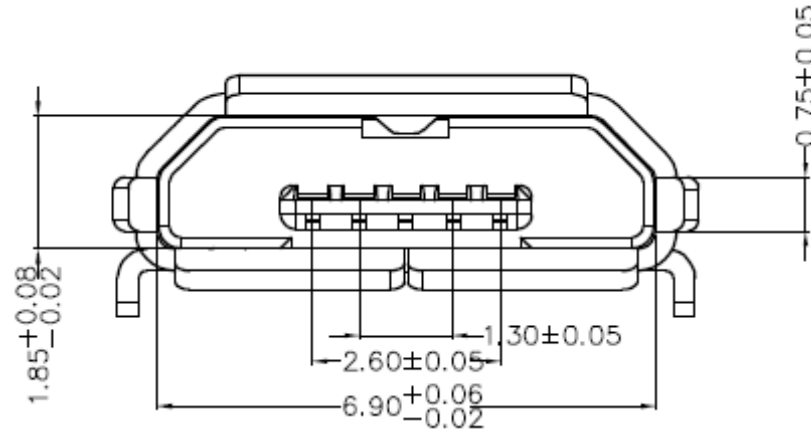
Specifications

Voltage Rating: 30 VAC
 Current Rating: 1,0A max f. Pin 1,5
 Operating Temperature: - 55°C to + 85°C
 Contact Resistance: 30m Ohm max.
 Withstanding Voltage: 100VAC min.
 Insulation Resistance: >100M Ohm min.
 Contact Thickness: 0,15mm

Material:

Insulator : look order code
 Color: look order code
 Contact Material: look order code
 Contact Type: Stamped
 Contact Plating: look order code
 Shielding: look order code
 Lifetime: 6000 cycles min.
 Force: 35Newton

Drawing (dimensions all into mm)



SMT Micro USB Connector Type B Offset Type 2 DIP Shell No Post w. Curl

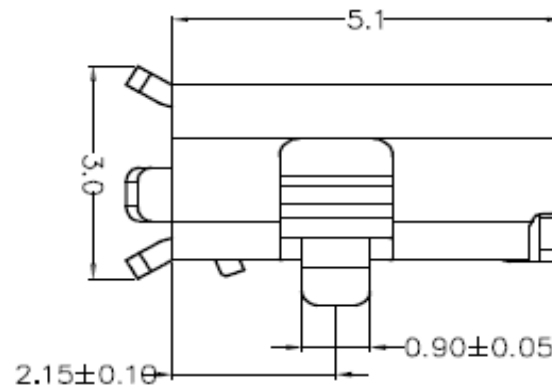
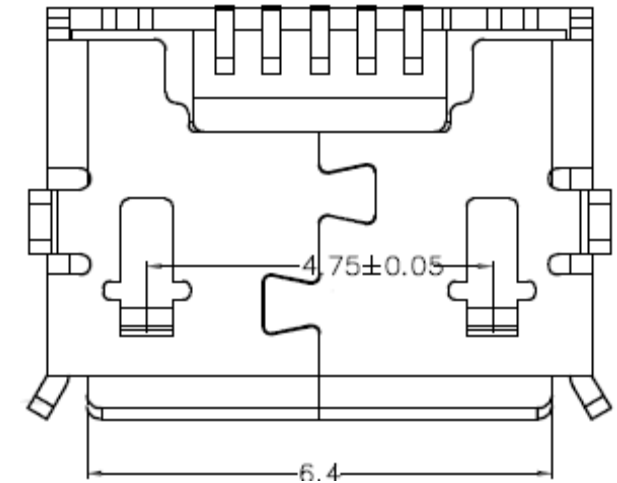
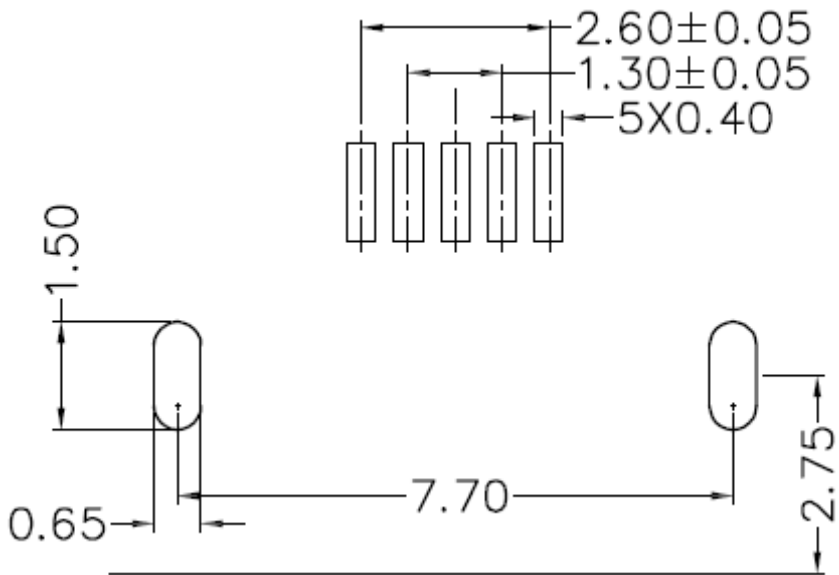
Part No.: **T64072**

Customer:

DRW:	Jason	CHKD	Wilson	MATL:	Wilson	TOLERANCE	Mason	DATE	15.08.2015
APPD:	Schumi			FINISH	Jamy		Sheet No.	1 from 4	



PCB Layout



SMT Micro USB Connector Type B Offset Type 2 DIP Shell No Post w. Curl

Part No.: **T64072**

Customer:

DRW:	Jason	CHKD	Wilson	MATL:	Wilson	TOLERANCE	Mason	DATE	15.08.2015
APPD:	Schumi			FINISH	Jamy		Sheet No.	2 from 4	

EDCON-COMPONENTS



Ordering Informations

Serie	Color Inside	Shell Material	Insulator Material	Contact Material	Contact Plating	Special function	Packing	Packing		
T64072	BK	B	P	B	G0	0	R	BU		

BK= Black Color	B= Brass	P= PBT + 30% GF	B= Brass	G0= Gold Flash (Standard)	0= No Special function	R= ROHS conform N= NON ROHS conform	BU= Bulk Ware
WH= White Color	I= Iron	L= LCP	P= Phosphor Copper	G1= 3µ Gold			TR= Tape / Reel w. Pic and Place Foil
	S= Stainless Steel			G1= 5µ Gold			
				G1= 10µ Gold			
				G1= 15µ Gold			
				G1= 30µ Gold			
					IV= Individual Packing		

PIC and PLACE FOIL for automatic assembly machine



SMT Micro USB Connector Type B Offset Type 2 DIP Shell No Post w. Curl

Part No.: **T64072**

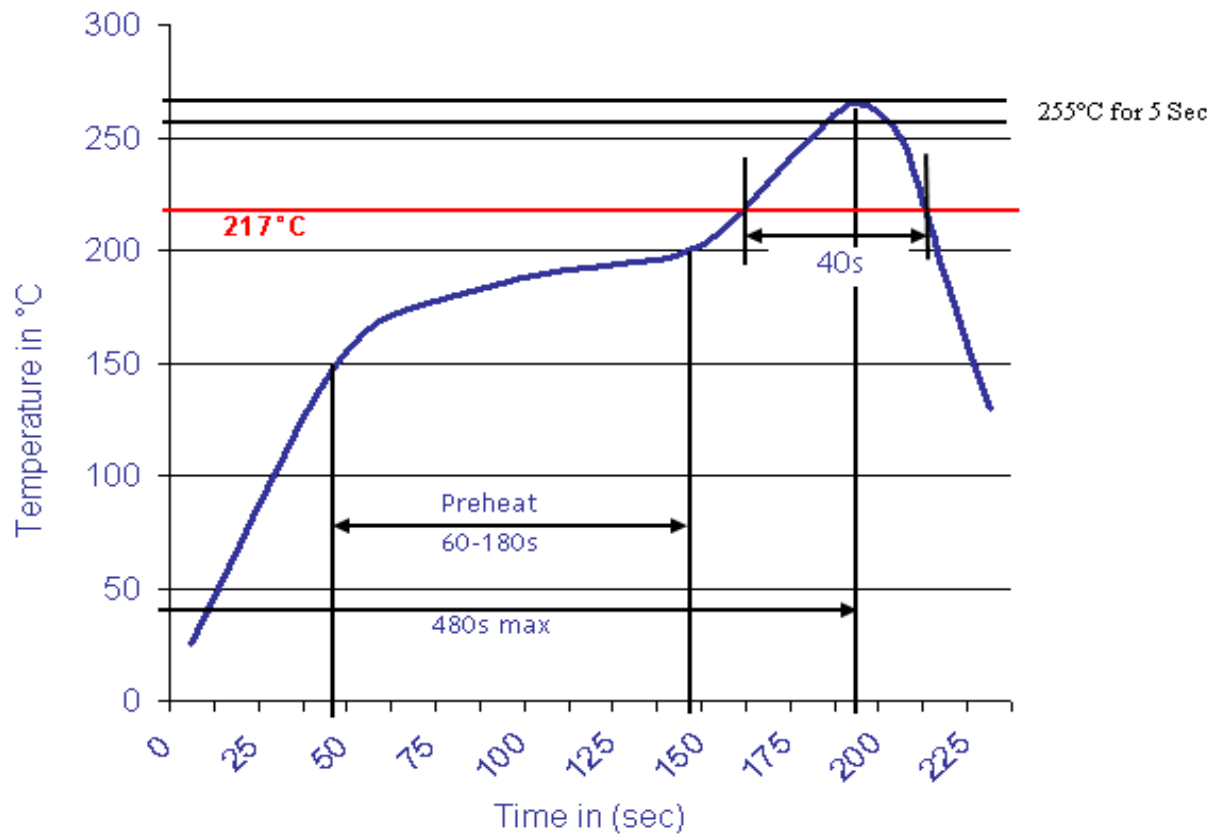
DRW:	Jason	CHKD	Wilson	MATL:	Wilson	TOLERANCE	Mason	DATE	15.08.2015
APPD:	Schumi			FINISH	Jamy		Sheet No.		3 from 4

Customer:



Soldering Profile Curve

Classification Reflow Profile (JEDEC J-STD-020C)



SMT Micro USB Connector
Type B Offset Type 2 DIP
Shell No Post w. Curl
 Part No.: **T64072**

DRW:	Jason	CHKD	Wilson	MATL:	Wilson	TOLERANCE	Mason	DATE	15.08.2015
APPD:	Schumi			FINISH	Jamy		Sheet No.	4 from 4	Customer: