

EDCON-COMPONENTS

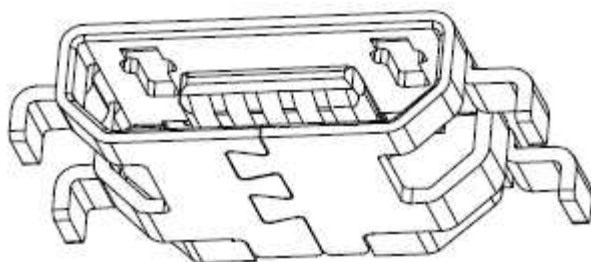


Specifications

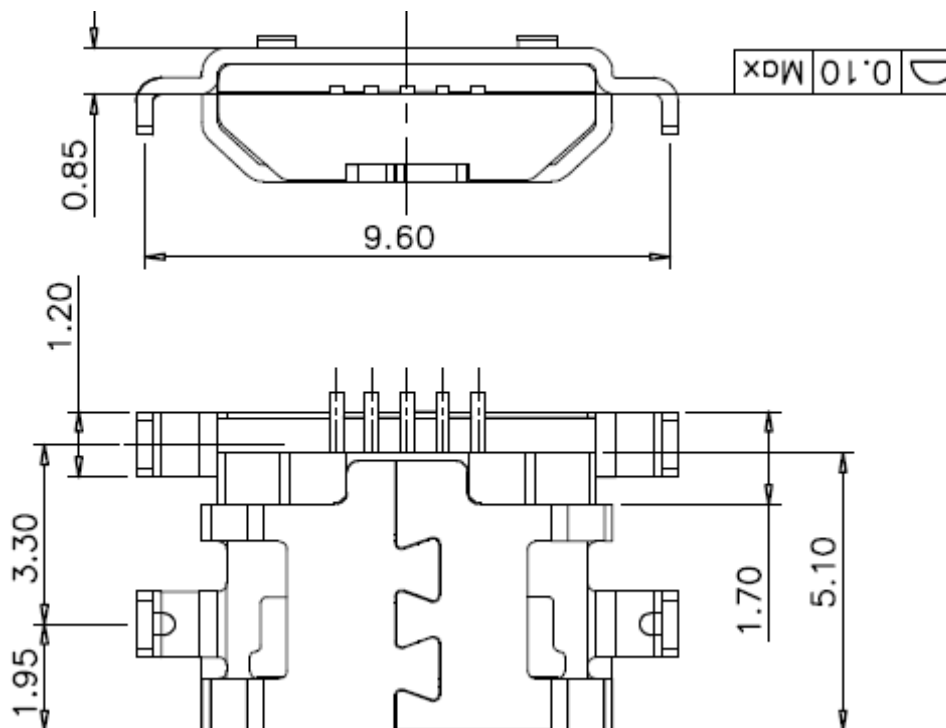
Voltage Rating: 100 VAC
 Current Rating: 1,0A max f. Pin 1,5
 Operating Temperature: - 55°C to + 85°C
 Contact Resistance: 30m Ohm max.
 Withstanding Voltage: 100VAC min.
 Insulation Resistance: >100M Ohm min.
 Contact Thickness: 0,20mm

Material:

Insulator : look order code
 Color: look order code
 Contact Material: look order code
 Contact Type: Stamped
 Contact Plating: look order code
 Shielding: look order code
 Lifetime: 6000 cycles min.
 Force: 35Newton



Drawing (dimensions all into mm)



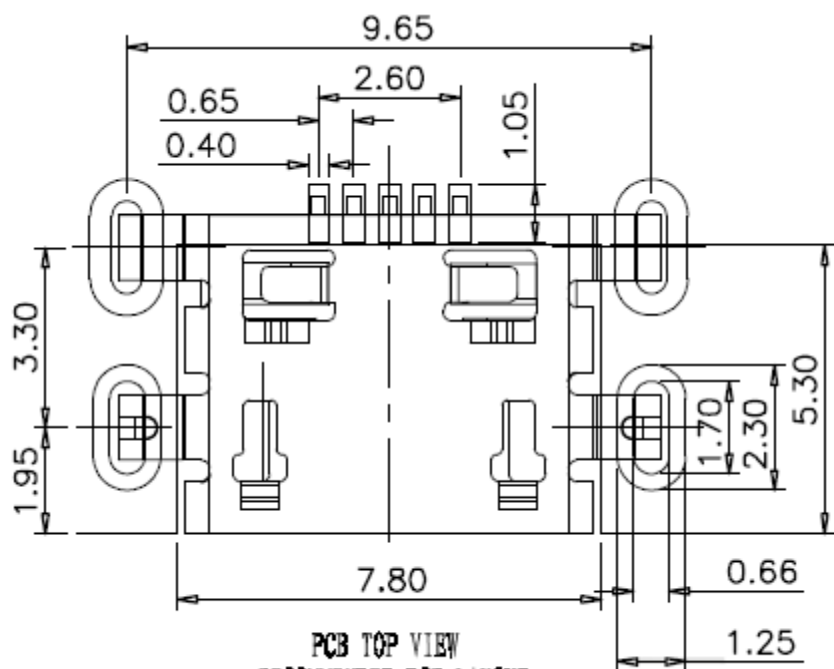
SMT Micro USB Connector Type B Offset Type 4 DIP Shell Sink 1,6mm

Part No.: **T64070**

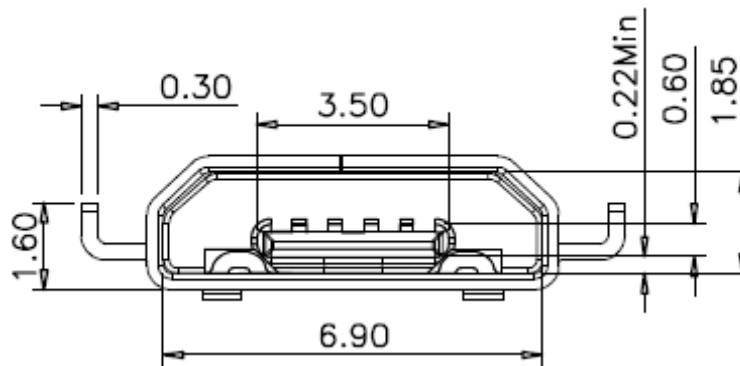
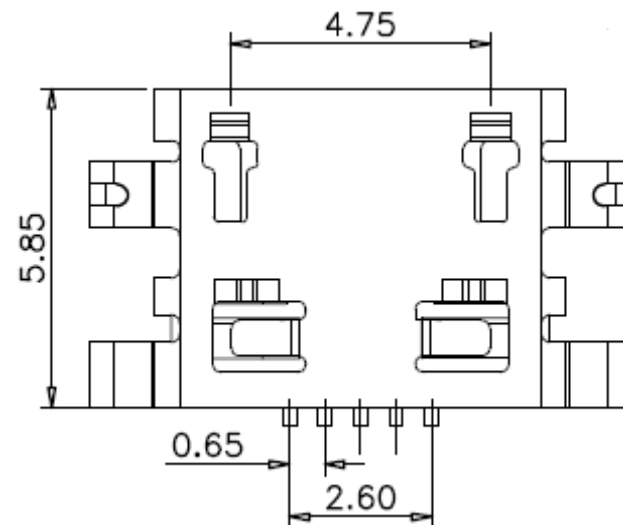
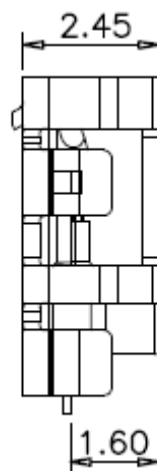
| | | | | | | | | | | |
|-------|--------|------|--------|--------|--------|-----------|-----------|----------|------------|-----------|
| DRW: | Jason | CHKD | Wilson | MATL: | Wilson | TOLERANCE | Mason | DATE | 15.08.2015 | Customer: |
| APPD: | Schumi | | | FINISH | Jamy | | Sheet No. | 1 from 4 | | |



PCB Layout



PCB TOP VIEW
RECOMMENDED PCB LAYOUT
TOLERANCE: $\pm 0.05\text{mm}$



SMT Micro USB Connector Type B Offset Type 4 DIP Shell Sink 1,6mm

Part No.: **T64070**

| | | | | | | | | | |
|-------|--------|------|--------|--------|--------|-----------|-----------|----------|------------|
| DRW: | Jason | CHKD | Wilson | MATL: | Wilson | TOLERANCE | Mason | DATE | 15.08.2015 |
| APPD: | Schumi | | | FINISH | Jamy | | Sheet No. | 2 from 4 | Customer: |

EDCON-COMPONENTS



Ordering Informations

| Serie | Color Inside | Shell Material | Insulator Material | Contact Material | Contact Plating | Special function | Packing | Packing | | |
|---------------|--------------|----------------|--------------------|------------------|-----------------|------------------|----------|-----------|--|--|
| T64070 | BK | B | P | B | G0 | 0 | R | BU | | |

| | | | | | | | |
|------------------------|---------------------------|------------------------|---------------------------|----------------------------------|-------------------------------|--|--|
| BK= Black Color | B= Brass | P= PBT + 30% GF | B= Brass | G0= Gold Flash (Standard) | 0= No Special function | R= ROHS conform N= NON ROHS conform | BU= Bulk Ware |
| WH= White Color | I= Iron | L= LCP | P= Phosphor Copper | G1= 3µ Gold | | | TR= Tape / Reel w. Pic and Place Foil |
| | S= Stainless Steel | | | G1= 5µ Gold | | | |
| | | | | G1= 10µ Gold | | | |
| | | | | G1= 15µ Gold | | | |
| | | | | G1= 30µ Gold | | | |
| | | | | | IV= Individual Packing | | |

PIC and PLACE FOIL for automatic assembly machine



SMT Micro USB Connector Type B Offset Type 4 DIP Shell Sink 1,6mm

Part No.: **T64070**

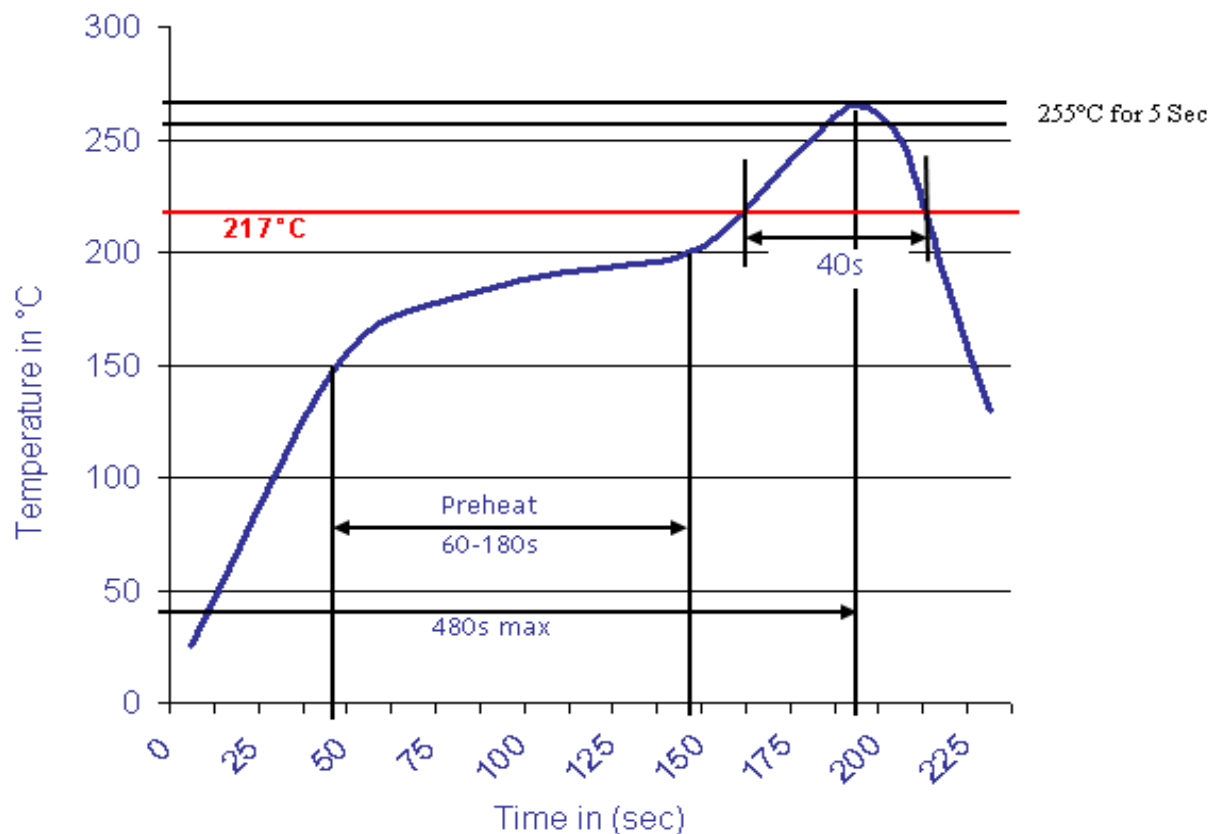
| | | | | | | | | | |
|-------|--------|------|--------|--------|--------|-----------|-----------|------|------------|
| DRW: | Jason | CHKD | Wilson | MATL: | Wilson | TOLERANCE | Mason | DATE | 15.08.2015 |
| APPD: | Schumi | | | FINISH | Jamy | | Sheet No. | | 3 from 4 |

Customer:



Soldering Profile Curve

Classification Reflow Profile (JEDEC J-STD-020C)



SMT Micro USB Connector
Type B Offset Type 4 DIP
Shell Sink 1.6mm
 Part No.: **T64070**

| | | | | | | | | | |
|-------|--------|------|--------|--------|--------|-----------|-----------|----------|------------|
| DRW: | Jason | CHKD | Wilson | MATL: | Wilson | TOLERANCE | Mason | DATE | 15.08.2015 |
| APPD: | Schumi | | | FINISH | Jamy | | Sheet No. | 4 from 4 | Customer: |