

EDCON-COMPONENTS



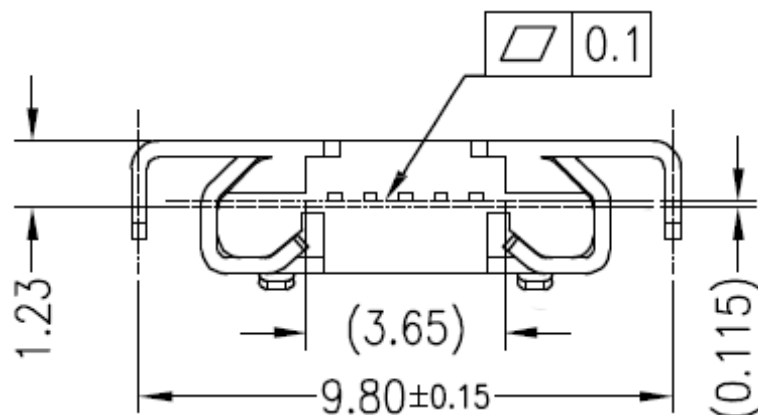
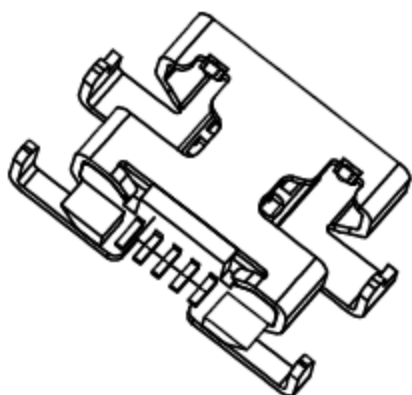
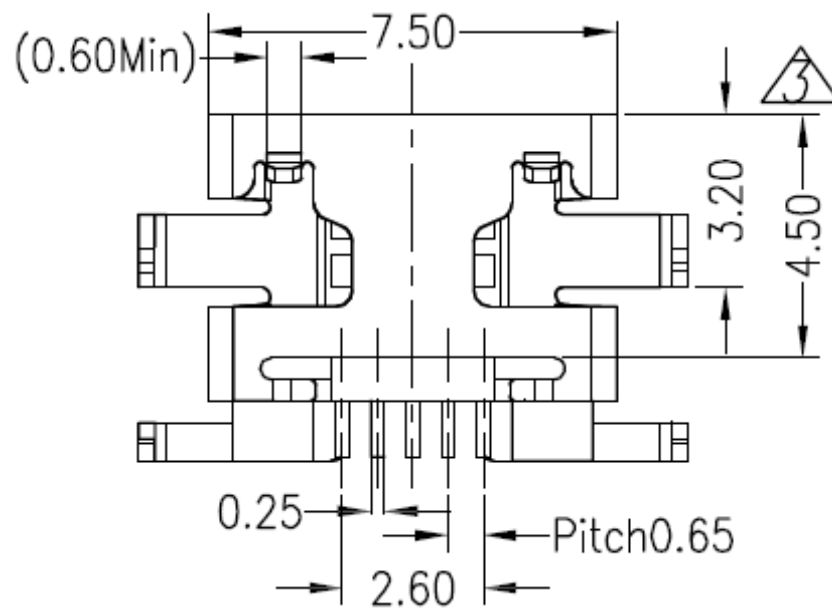
Specifications

Voltage Rating:	100 VAC
Current Rating:	2,0A Pin 1,5 / 0,5A Pin 2,3,4
Operating Temperature:	- 30°C to + 80°C
Contact Resistance:	30m Ohm max.
Withstanding Voltage:	500VAC min.
Insulation Resistance:	>100M Ohm min.
Contact Thickness:	0,20mm

Material:

Insulator :	look order code
Color:	look order code
Contact Material:	look order code
Contact Type:	Stamped
Contact Plating:	look order code
Shielding:	look order code
Lifetime:	10000 cycles min.
Force:	3,57Kg max.

Drawing (dimensions all into mm)



**SMT Micro USB Connector Type
B Sink Reverse Type**

Part No.: **T64068**

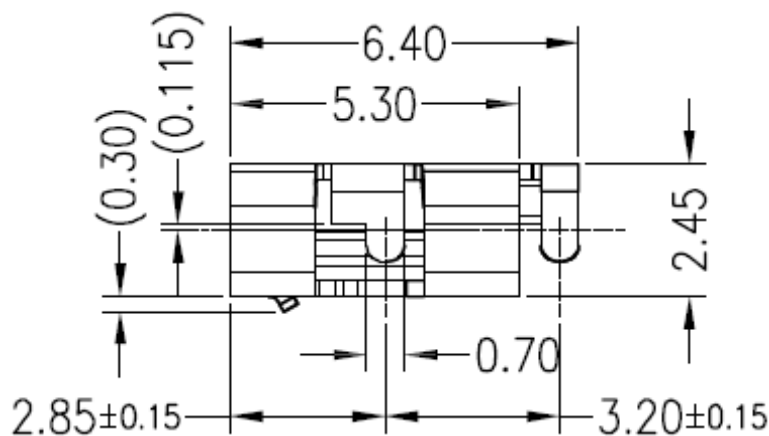
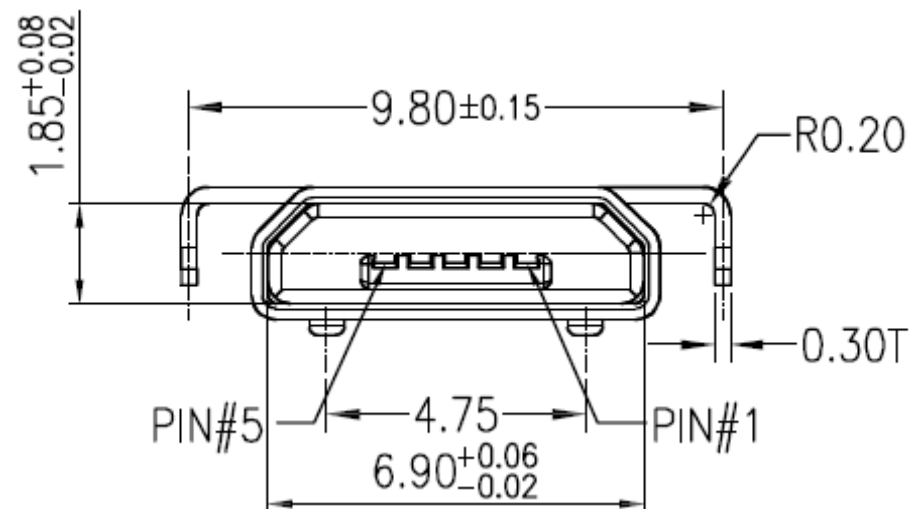
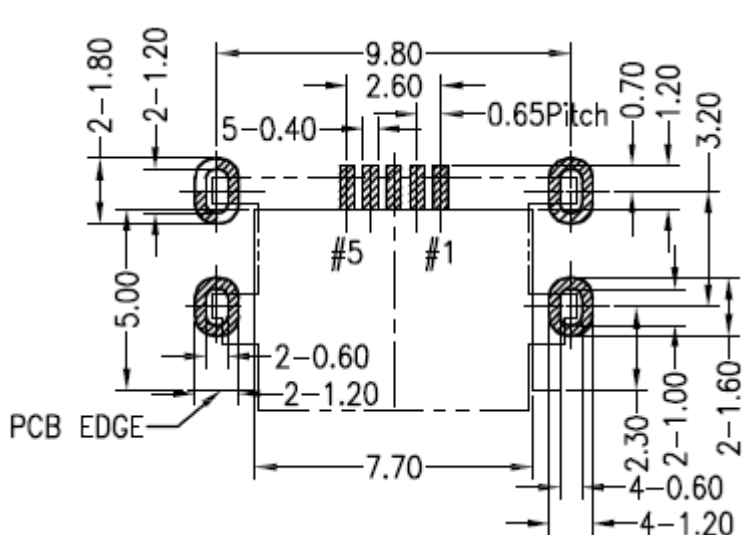
Customer:

DRW:	Jason	CHKD	Wilson	MATL:	Wilson	TOLERANCE	Mason	DATE	15.08.2015
APPD:	Schumi			FINISH	Jamy		Sheet No.		1 from 4

EDCON-COMPONENTS



PCB Layout



SMT Micro USB Connector Type B Sink Reverse Type

Part No.: **T64068**

Customer:

DRW:	Jason	CHKD	Wilson	MATL:	Wilson	TOLERANCE	Mason	DATE	15.08.2015
APPD:	Schumi			FINISH	Jamy		Sheet No.	2 from 4	

EDCON-COMPONENTS



Ordering Informations

Serie	Color Inside	Shell Material	Insulator Material	Contact Material	Contact Plating	Special function	Packing	Packing		
T64068	BK	B	P	B	G0	0	R	BU		

BK = Black Color	B = Brass	P = PBT + 30% GF	B = Brass	G0 = Gold Flash (Standard)	0 = No Special function	R = ROHS conform	BU = Bulk Ware
WH = White Color	I = Iron	L = LCP	P = Phosphor Copper	G1 = 3μ Gold		N = NON ROHS conform	TY = Tray Packing
	S = Stainless Steel			G1 = 5μ Gold			TR = Tape / Reel w. Pic and Place Foil
				G1 = 10μ Gold			IV = Individual Packing
				G1 = 15μ Gold			
				G1 = 30μ Gold			

PIC and PLACE FOIL for automatic assembly machine



SMT Micro USB Connector Type B Sink Reverse Type

Part No.: **T64068**

DRW:	Jason	CHKD	Wilson	MATL:	Wilson	TOLERANCE	Mason	DATE	15.08.2015
APPD:	Schumi			FINISH	Jamy		Sheet No.		3 from 4

Customer:



Soldering Profile Curve

Classification Reflow Profile (JEDEC J-STD-020C)



**SMT Micro USB Connector
Type B Sink Reverse Type**

Part No.: **T64068**

DRW:	Jason	CHKD	Wilson	MATL:	Wilson	TOLERANCE	Mason	DATE	15.08.2015
APPD:	Schumi			FINISH	Jamy		Sheet No.	4 from 4	Customer: