

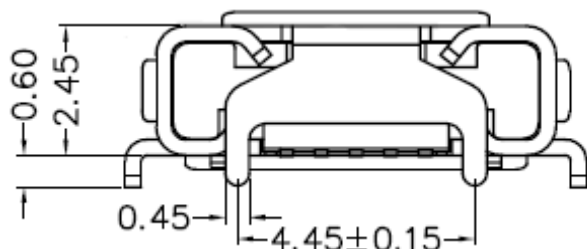
EDCON-COMPONENTS



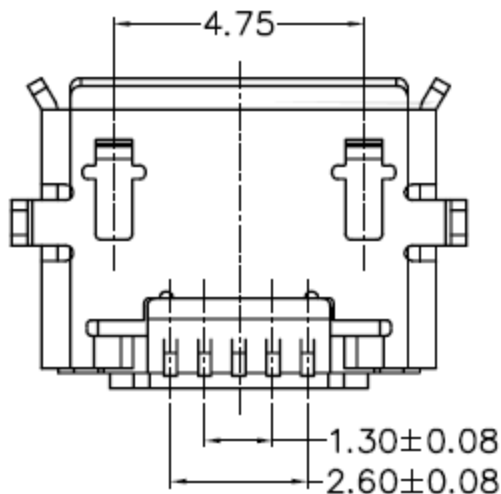
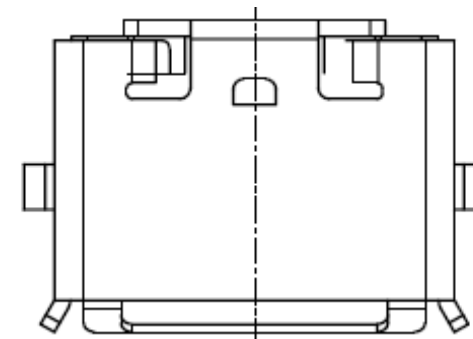
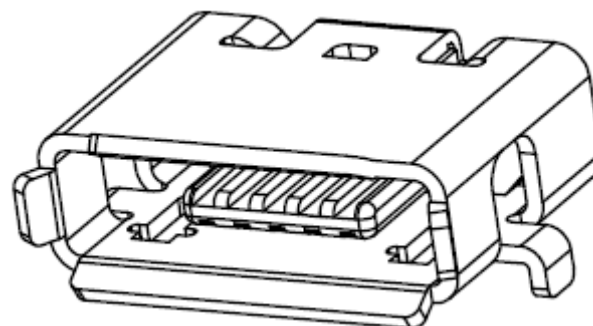
Specifications

Voltage Rating:	100 VAC
Current Rating:	1,0A max.
Operating Temperature:	- 30°C to + 80°C
Contact Resistance:	50m Ohm max.
Withstanding Voltage:	500VAC min.
Insulation Resistance:	>100M Ohm min.
Contact Thickness:	0,20mm

Material:	
Insulator :	look order code
Color:	look order code
Contact Material:	look order code
Contact Type:	Stamped
Contact Plating:	look order code
Shielding:	look order code
Lifetime:	10000 cycles min.
Force:	3,57Kg max.



Drawing (dimensions all into mm)



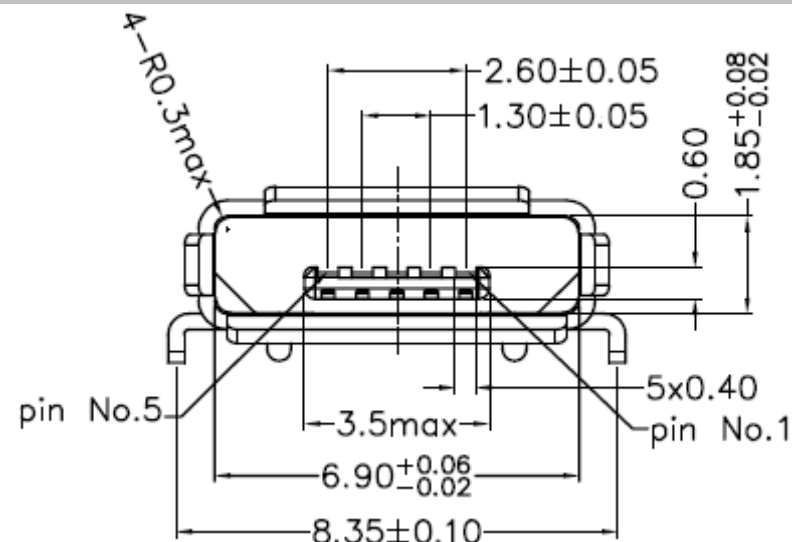
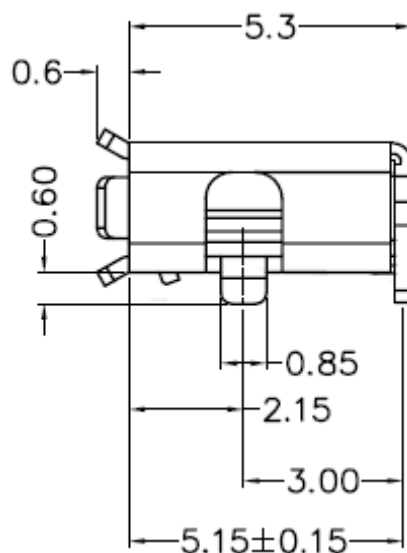
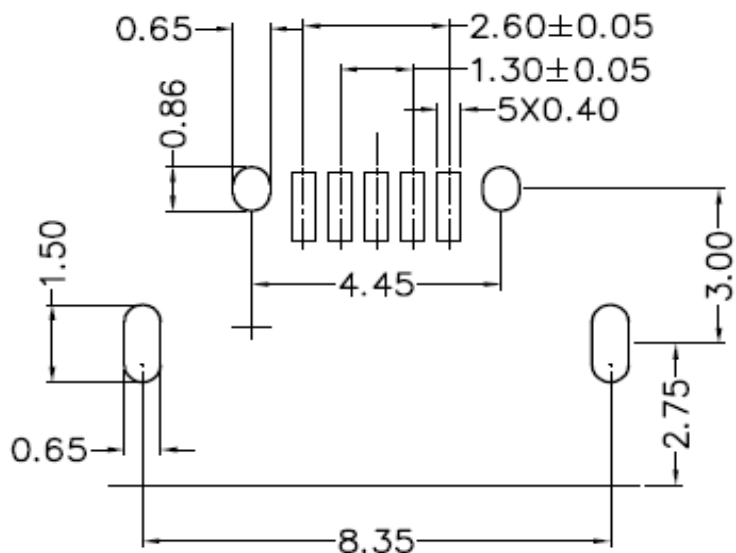
**SMT Micro USB Connector Type
AB w. 4 Shell DIP Reverse Type**

Part No.: **T64067**

DRW:	Jason	CHKD	Wilson	MATL:	Wilson	TOLERANCE	Mason	DATE	15.08.2015	Customer:
APPD:	Schumi			FINISH	Jamy		Sheet No.	1 from 4		



PCB Layout



SMT Micro USB Connector Type
AB w. 4 Shell DIP Reverse Type

Part No.: **T64067**

DRW:	Jason	CHKD	Wilson	MATL:	Wilson	TOLERANCE	Mason	DATE	15.08.2015
APPD:	Schumi			FINISH	Jamy		Sheet No.	2 from 4	Customer:

EDCON-COMPONENTS



Ordering Informations

Serie	Color Inside	Shell Material	Insulator Material	Contact Material	Contact Plating	Special function	Packing	Packing		
T64067	BK	B	P	B	G0	0	R	BU		

BK= Black Color	B= Brass	P= PBT + 30% GF	B= Brass	G0= Gold Flash (Standard)	0= No Special function	R= ROHS conform	BU= Bulk Ware
WH= White Color	I= Iron	L= LCP	P= Phosphor Copper	G1= 3µ Gold		N= NON ROHS conform	TY= Tray Packing
	S= Stainless Steel			G1= 5µ Gold			TR= Tape / Reel w. Pic and Place Foil
				G1= 10µ Gold			IV= Individual Packing
				G1= 15µ Gold			
				G1= 30µ Gold			

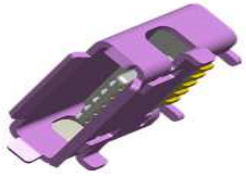
PIC and PLACE FOIL for automatic assembly machine



SMT Micro USB Connector Type AB w. 4 Shell DIP Reverse Type

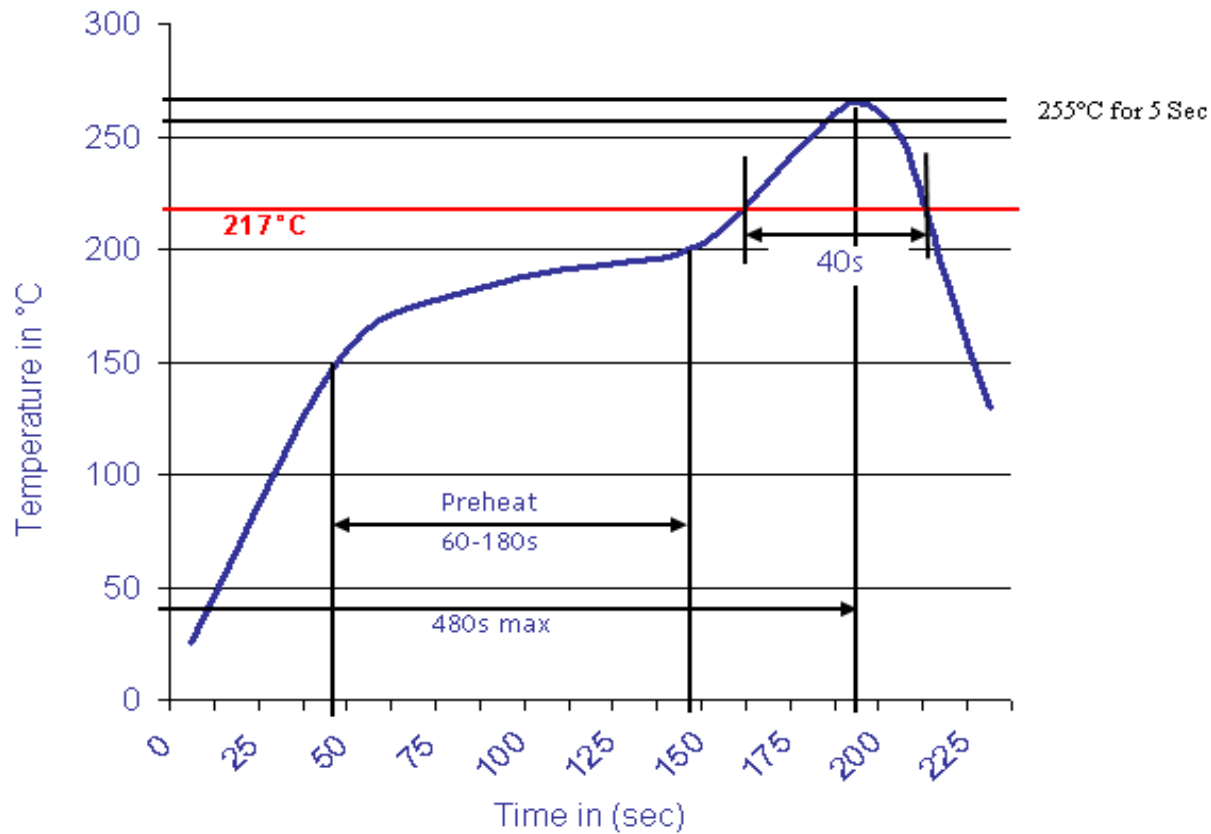
Part No.: **T64067**

DRW:	Jason	CHKD	Wilson	MATL:	Wilson	TOLERANCE	Mason	DATE	15.08.2015	Customer:
APPD:	Schumi			FINISH	Jamy		Sheet No.	3 from 4		



Soldering Profile Curve

Classification Reflow Profile (JEDEC J-STD-020C)



SMT Micro USB Connector
Type AB w. 4 Shell DIP
Reverse Type
 Part No.: **T64067**

DRW:	Jason	CHKD	Wilson	MATL:	Wilson	TOLERANCE	Mason	DATE	15.08.2015	Customer:
APPD:	Schumi			FINISH	Jamy		Sheet No.	4 from 4		