

EDCON-COMPONENTS



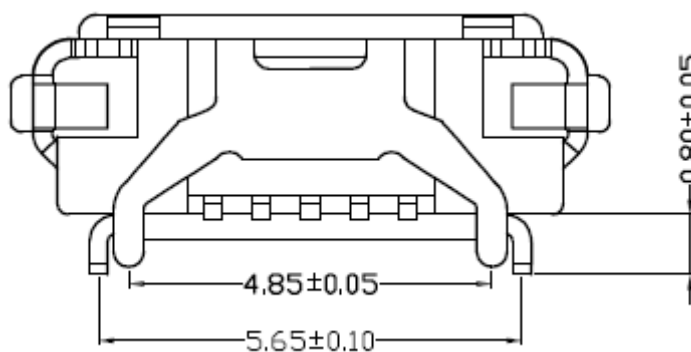
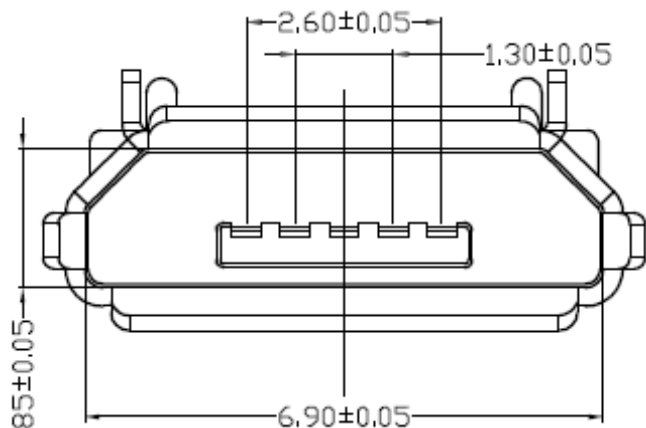
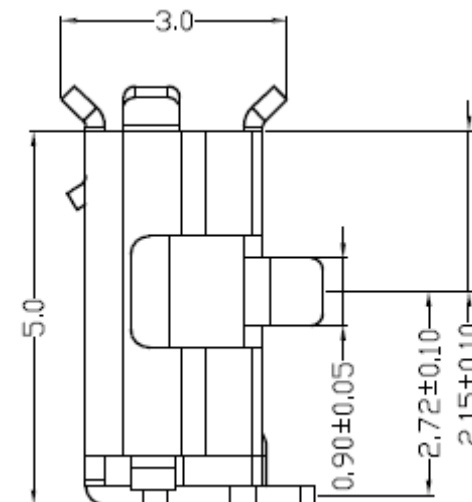
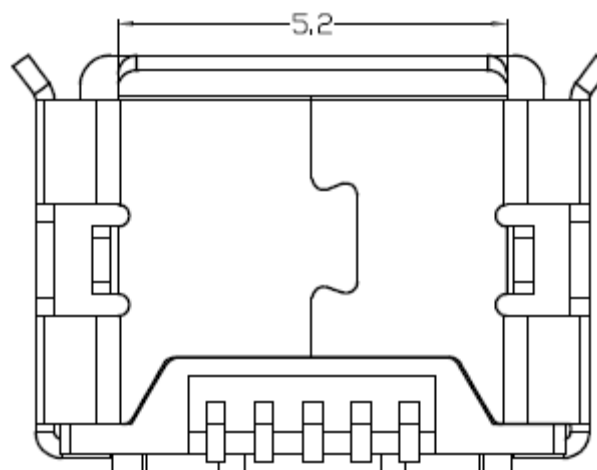
Specifications

Voltage Rating:	100 VAC
Current Rating:	1,0A max.
Operating Temperature:	- 30°C to + 80°C
Contact Resistance:	50m Ohm max.
Withstanding Voltage:	500VAC min.
Insulation Resistance:	>100M Ohm min.
Contact Thickness:	0,15mm

Material:

Insulator :	look order code
Color:	look order code
Contact Material:	look order code
Contact Type:	Stamped
Contact Plating:	look order code
Shielding:	look order code
Lifetime:	10000 cycles min.
Force:	3,57Kg max.

Drawing (dimensions all into mm)



**SMT Micro USB Connector Type
AB w. 4 Shell DIP**

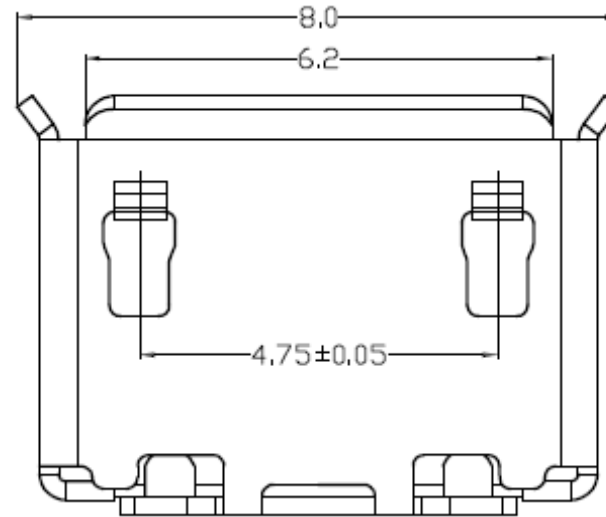
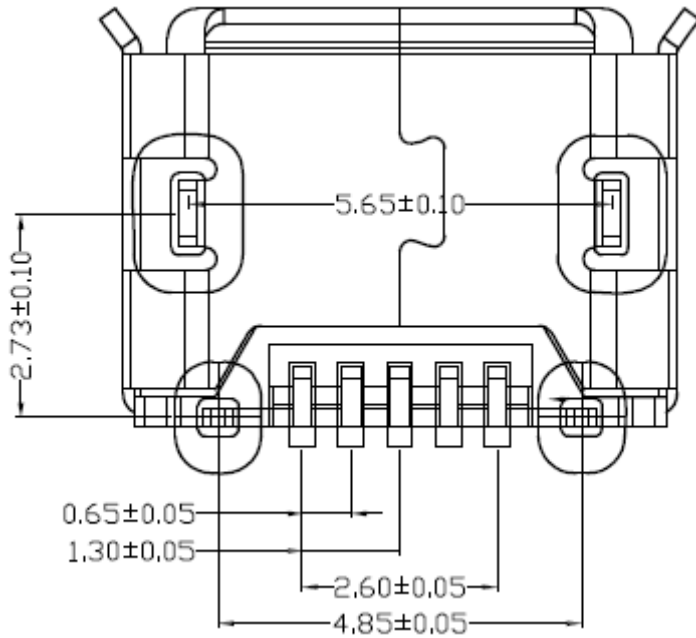
Part No.: **T64066**

Customer:

DRW:	Jason	CHKD	Wilson	MATL:	Wilson	TOLERANCE	Mason	DATE	15.08.2015
APPD:	Schumi			FINISH	Jamy		Sheet No.	1 from 4	



PCB Layout



**SMT Micro USB Connector Type
AB w. 4 Shell DIP**

Part No.: **T64066**

Customer:

DRW:	Jason	CHKD	Wilson	MATL:	Wilson	TOLERANCE	Mason	DATE	15.08.2015
APPD:	Schumi			FINISH	Jamy		Sheet No.	2 from 4	

EDCON-COMPONENTS



Ordering Informations

Serie	Color Inside	Shell Material	Insulator Material	Contact Material	Contact Plating	Special function	Packing	Packing		
T64066	BK	B	P	B	G0	0	R	BU		

BK = Black Color	B = Brass	P = PBT + 30% GF	B = Brass	G0 = Gold Flash (Standard)	0 = No Special function	R = ROHS conform N = NON ROHS conform	BU = Bulk Ware
WH = White Color	I = Iron	L = LCP	P = Phosphor Copper	G1 = 3µ Gold			TR = Tape / Reel w. Pic and Place Foil
	S = Stainless Steel			G1 = 5µ Gold			
				G1 = 10µ Gold			
				G1 = 15µ Gold			
				G1 = 30µ Gold			
						IV = Individual Packing	

PIC and PLACE FOIL for automatic assembly machine



SMT Micro USB Connector Type AB w. 4 Shell DIP

Part No.: **T64066**

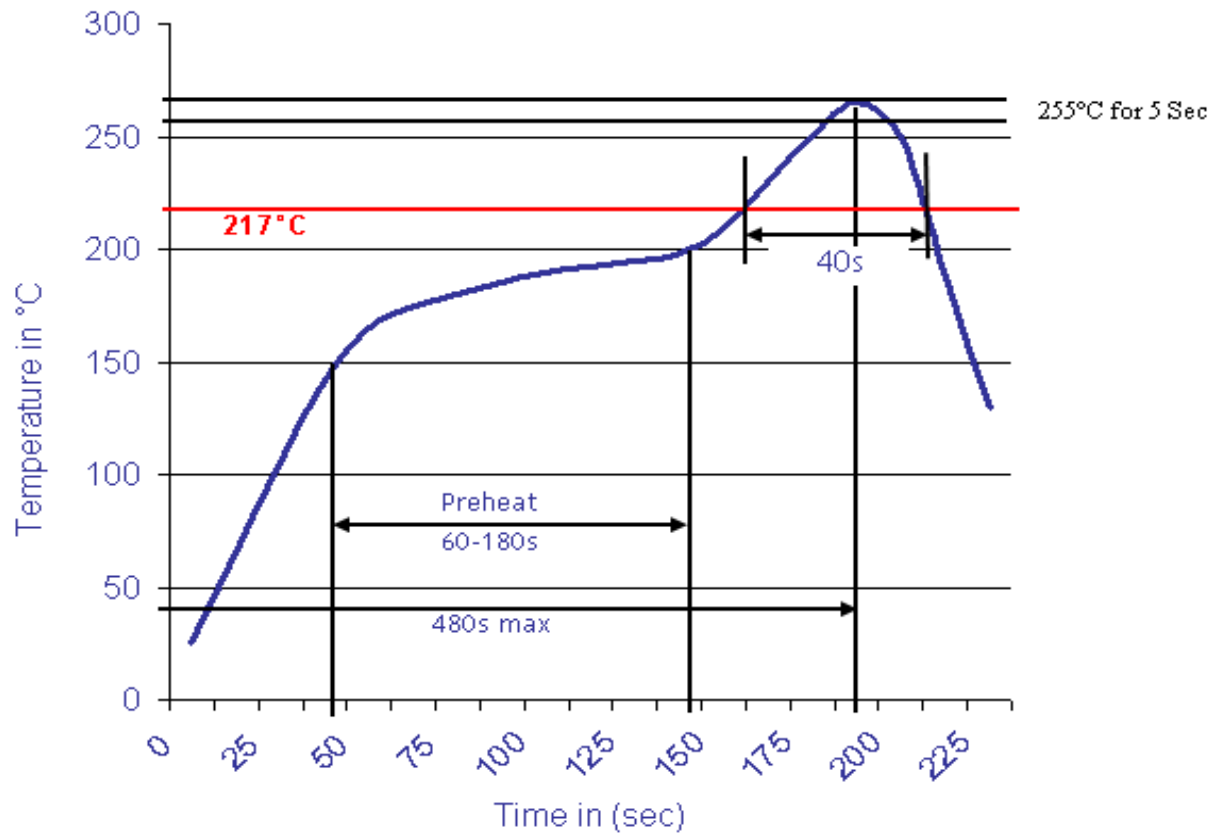
DRW:	Jason	CHKD	Wilson	MATL:	Wilson	TOLERANCE	Mason	DATE	15.08.2015
APPD:	Schumi			FINISH	Jamy		Sheet No.		3 from 4

Customer:



Soldering Profile Curve

Classification Reflow Profile (JEDEC J-STD-020C)



**SMT Micro USB Connector
Type AB w. 4 Shell DIP**

Part No.: **T64066**

DRW:	Jason	CHKD	Wilson	MATL:	Wilson	TOLERANCE	Mason	DATE	15.08.2015
APPD:	Schumi			FINISH	Jamy		Sheet No.	4 from 4	Customer: