

# EDCON-COMPONENTS



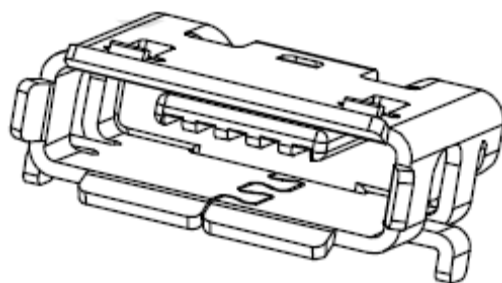
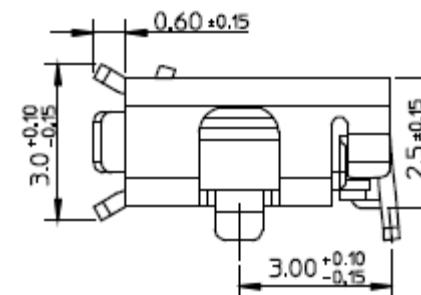
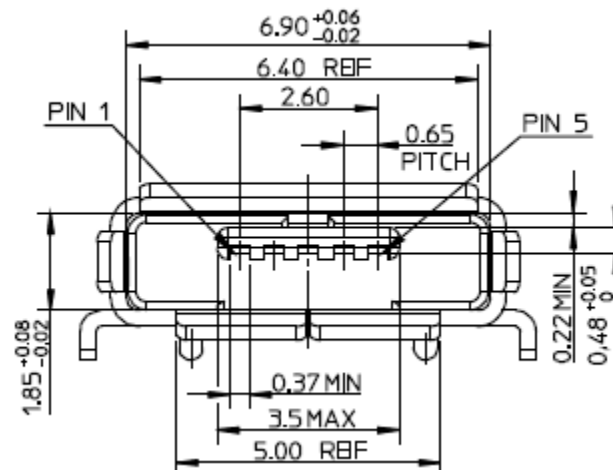
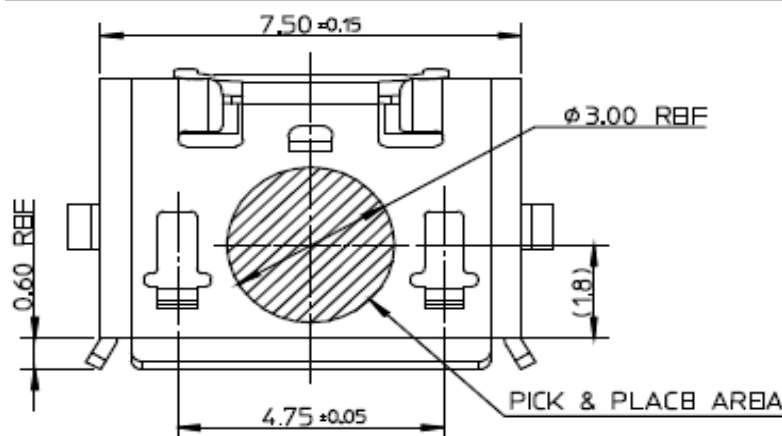
## Specifications

Voltage Rating:	100 VAC
Current Rating:	1,0A max.
Operating Temperature:	- 30°C to + 80°C
Contact Resistance:	50m Ohm max.
Withstanding Voltage:	500VAC min.
Insulation Resistance:	>100M Ohm min.
Contact Thickness:	0,20mm

### Material:

Insulator :	look order code
Color:	look order code
Contact Material:	look order code
Contact Type:	Stamped
Contact Plating:	look order code
Shielding:	look order code
Lifetime:	10000 cycles min.
Force:	3,57Kg max.

## Drawing ( dimensions all into mm)



**SMT Micro USB Connector Type  
AB w. Ejector 4 Shell DIP**

Part No.: **T64065**

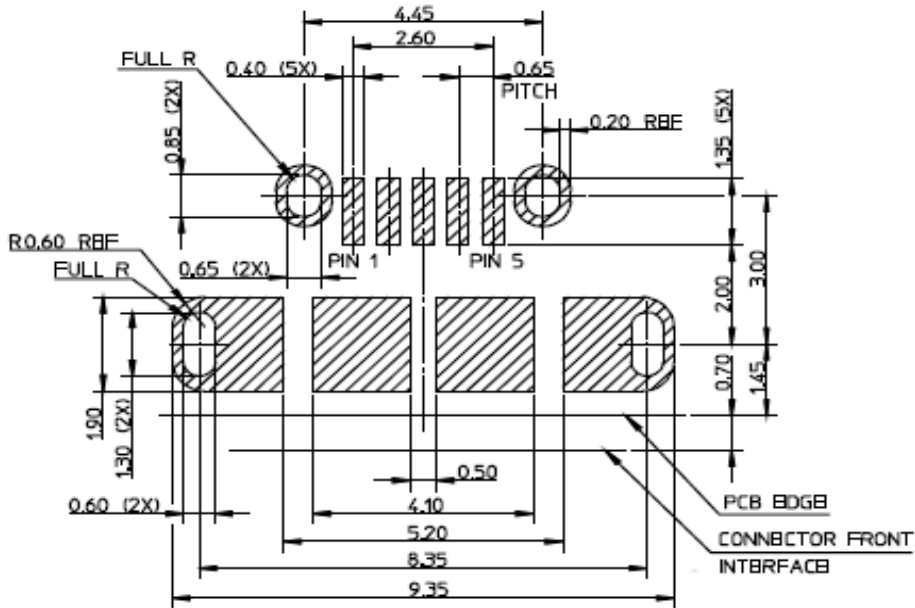
Customer:

DRW:	Jason	CHKD	Wilson	MATL:	Wilson	TOLERANCE	Mason	DATE	15.08.2015
APPD:	Schumi			FINISH	Jamy		Sheet No.	1 from 4	

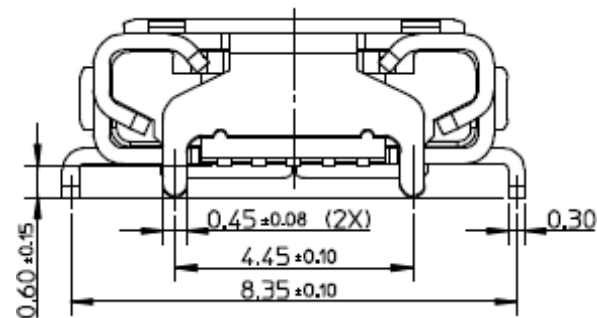
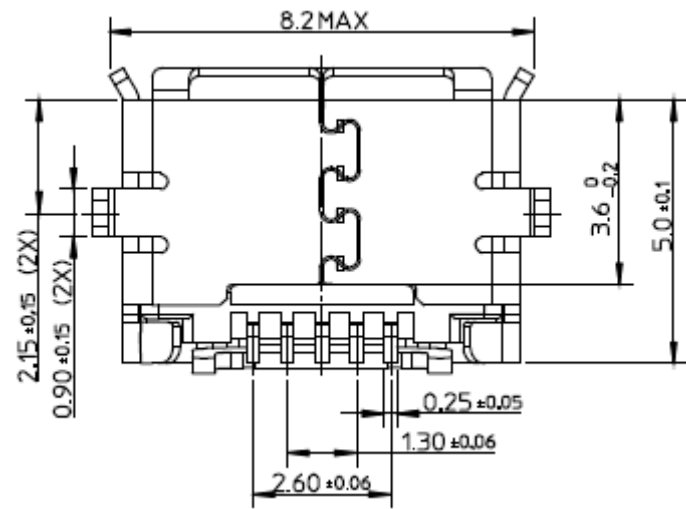
# EDCON-COMPONENTS



## PCB Layout



RECOMMENDED PCB PATTERN LAYOUT GENERAL  
TOLERANCE :±0.05



**SMT Micro USB Connector Type  
AB w. Ejector 4 Shell DIP**

Part No.: **T64065**

Customer:

DRW:	Jason	CHKD	Wilson	MATL:	Wilson	TOLERANCE	Mason	DATE	15.08.2015
APPD:	Schumi			FINISH	Jamy		Sheet No.	2 from 4	

# EDCON-COMPONENTS



## Ordering Informations

Serie	Color Inside	Shell Material	Insulator Material	Contact Material	Contact Plating	Special function	Packing	Packing		
<b>T64065</b>	<b>BK</b>	<b>B</b>	<b>P</b>	<b>B</b>	<b>G0</b>	<b>0</b>	<b>R</b>	<b>BU</b>		

<b>BK=</b> Black Color	<b>B=</b> Brass	<b>P=</b> PBT + 30% GF	<b>B=</b> Brass	<b>G0=</b> Gold Flash (Standard)	<b>0=</b> No Special function	<b>R=</b> ROHS conform <b>N=</b> NON ROHS conform	<b>BU=</b> Bulk Ware	
<b>WH=</b> White Color	<b>I=</b> Iron	<b>L=</b> LCP	<b>P=</b> Phosphor Copper	<b>G1=</b> 3µ Gold			<b>TY=</b> Tray Packing <b>TR=</b> Tape / Reel w. Pic and Place Foil	
	<b>S=</b> Stainless Steel			<b>G1=</b> 5µ Gold				
				<b>G1=</b> 10µ Gold				<b>IV=</b> Individual Packing
				<b>G1=</b> 15µ Gold				
				<b>G1=</b> 30µ Gold				

**PIC and PLACE FOIL** for automatic assembly machine



**SMT Micro USB Connector Type AB w. Ejector 4 Shell DIP**

Part No.: **T64065**

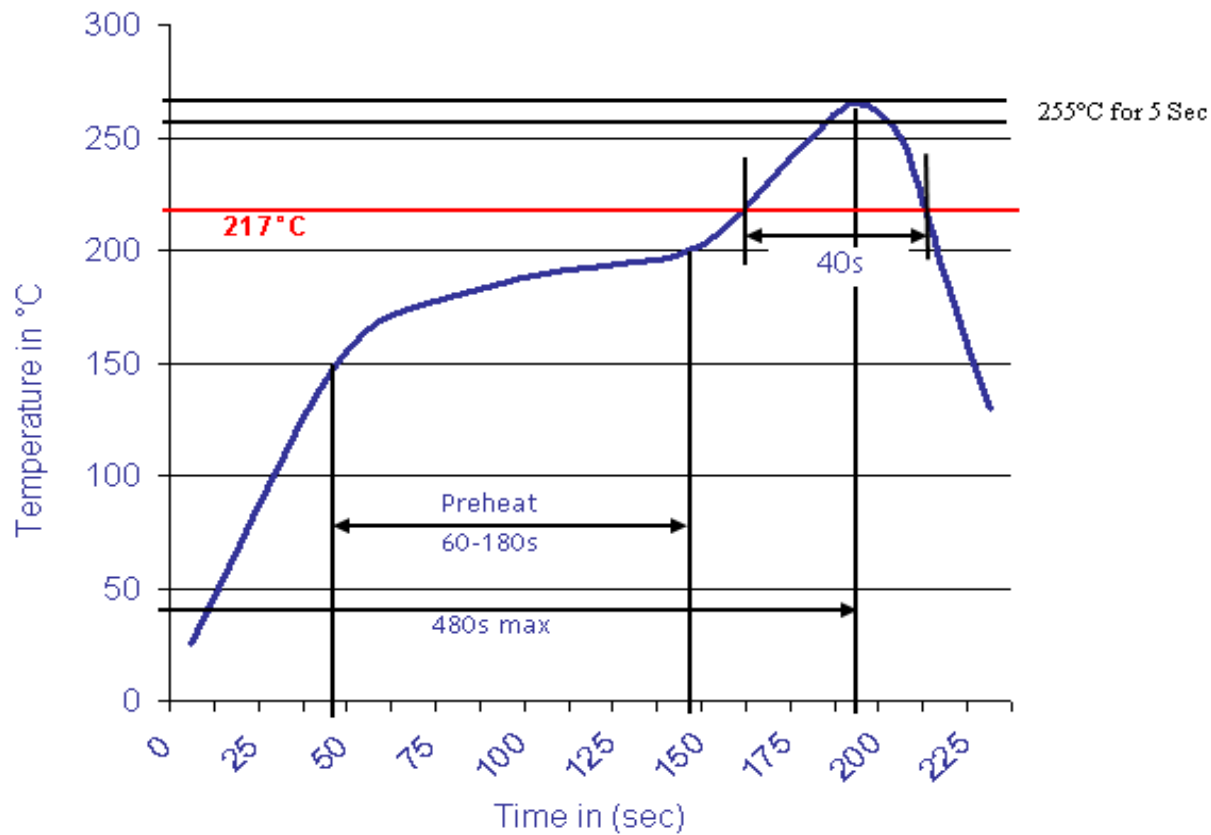
DRW:	Jason	CHKD	Wilson	MATL:	Wilson	TOLERANCE	Mason	DATE	15.08.2015
APPD:	Schumi			FINISH	Jamy		Sheet No.		3 from 4

Customer:



Soldering Profile Curve

Classification Reflow Profile (JEDEC J-STD-020C)



**SMT Micro USB Connector  
Type AB w. Ejector 4 Shell  
DIP**

Part No.: **T64065**

DRW:	Jason	CHKD	Wilson	MATL:	Wilson	TOLERANCE	Mason	DATE	15.08.2015
APPD:	Schumi			FINISH	Jamy		Sheet No.	4 from 4	Customer: