

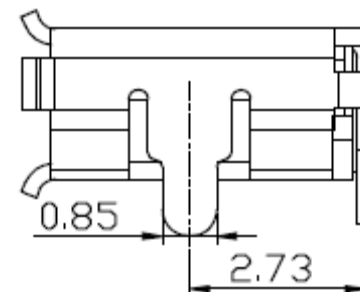
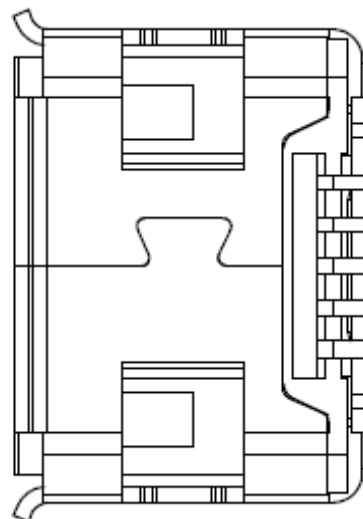
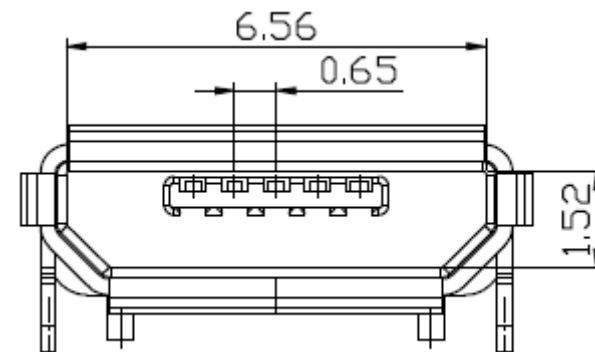
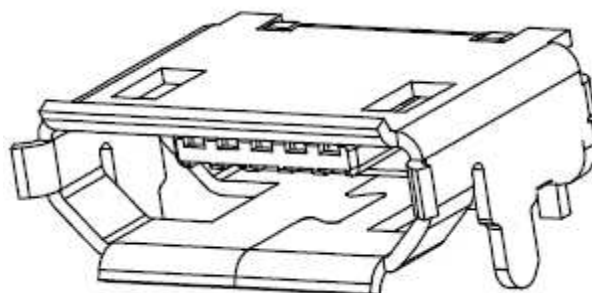
EDCON-COMPONENTS



Specifications

Voltage Rating:	100 VAC
Current Rating:	1,0A max.
Operating Temperature:	- 30°C to + 80°C
Contact Resistance:	50m Ohm max.
Withstanding Voltage:	500VAC min.
Insulation Resistance:	>100M Ohm min.
Contact Thickness:	0,20mm
Material:	
Insulator :	look order code
Color:	look order code
Contact Material:	look order code
Contact Type:	Stamped
Contact Plating:	look order code
Shielding:	look order code
Lifetime:	1500 cycles

Drawing (dimensions all into mm)



**SMT Micro USB Connector Type
B w.2Legs Eject. Type**

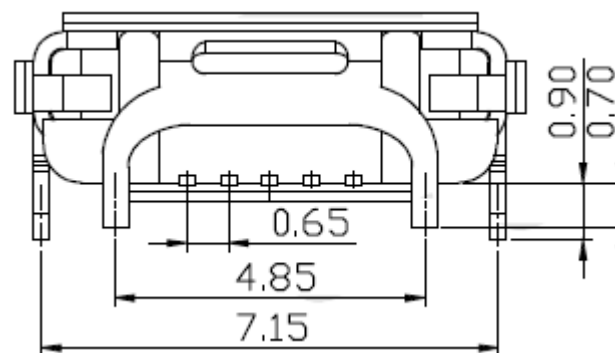
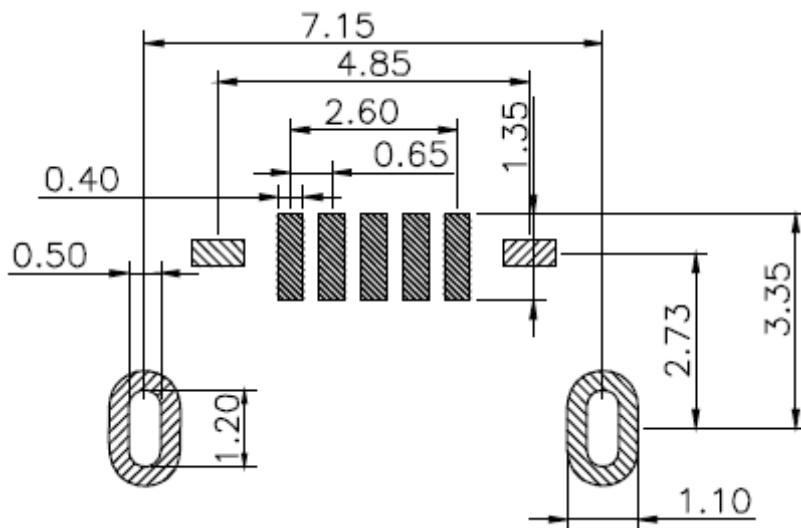
Part No.: **T64061**

Customer:

DRW:	Jason	CHKD	Wilson	MATL:	Wilson	TOLERANCE	Mason	DATE	15.08.2015
APPD:	Schumi			FINISH	Jamy		Sheet No.	1 from 4	



PCB Layout



SMT Micro USB Connector Type B w.2Legs Eject. Type

Part No.: **T64061**

Customer:

DRW:	Jason	CHKD	Wilson	MATL:	Wilson	TOLERANCE	Mason	DATE	15.08.2015
APPD:	Schumi			FINISH	Jamy		Sheet No.	2 from 4	

EDCON-COMPONENTS



Ordering Informations

Serie	Color Inside	Shell Material	Insulator Material	Contact Material	Contact Plating	Special function	Packing	Packing		
T64061	BK	B	P	B	G0	0	R	BU		

BK= Black Color	B= Brass	P= PBT + 30% GF	B= Brass	G0= Gold Flash (Standard)	0= No Special function	R= ROHS conform	BU= Bulk Ware
WH= White Color	I= Iron	L= LCP	P= Phosphor Copper	G1= 3μ Gold		N= NON ROHS conform	TY= Tray Packing
	S= Stainless Steel			G1= 5μ Gold			TR= Tape / Reel w. Pic and Place Foil
				G1= 10μ Gold			IV= Individual Packing
				G1= 15μ Gold			
				G1= 30μ Gold			



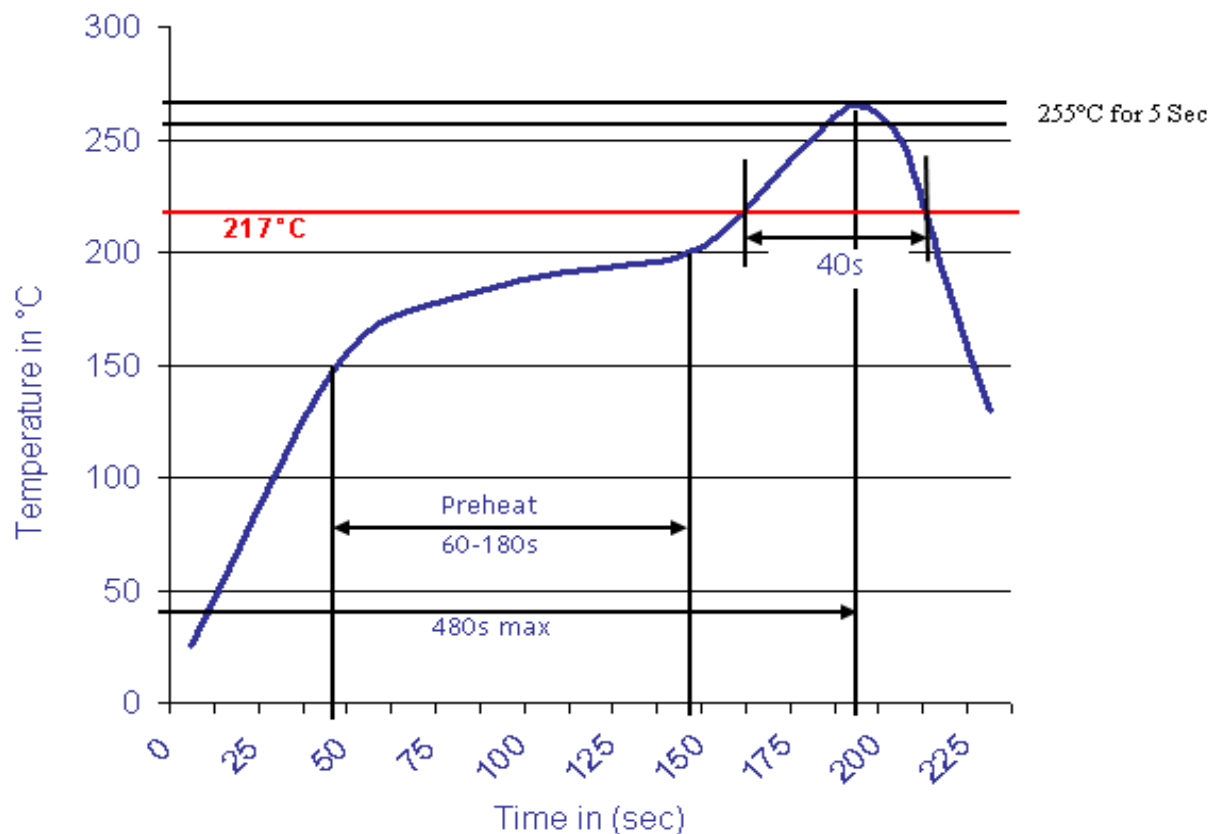
SMT Micro USB Connector Type B w.2Legs Eject. Type	
Part No.:	T64061
Customer:	

DRW:	Jason	CHKD	Wilson	MATL:	Wilson	TOLERANCE	Mason	DATE	15.08.2015
APPD:	Schumi			FINISH	Jamy		Sheet No.		3 from 4



Soldering Profile Curve

Classification Reflow Profile (JEDEC J-STD-020C)



SMT Micro USB Connector	
Type B w.2Legs Eject.	
Type	
Part No.:	T64061
Customer:	

DRW:	Jason	CHKD	Wilson	MATL:	Wilson	TOLERANCE	Mason	DATE	15.08.2015
APPD:	Schumi			FINISH	Jamy		Sheet No.	4 from 4	