

EDCON-COMPONENTS

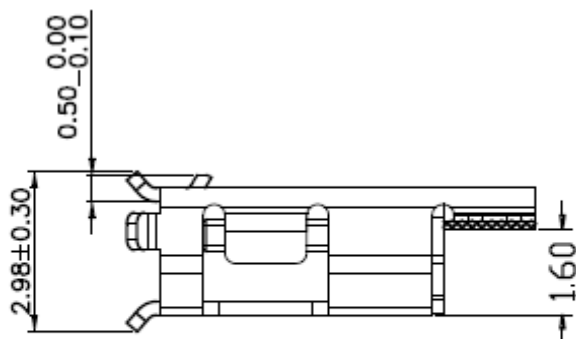


Specifications

Voltage Rating: 100 VAC
 Current Rating: 0,8A max.
 Operating Temperature: - 30°C to + 80°C
 Contact Resistance: 50m Ohm max.
 Withstanding Voltage: 500VAC min.
 Insulation Resistance: >100M Ohm min.
 Contact Thickness: 0,15mm

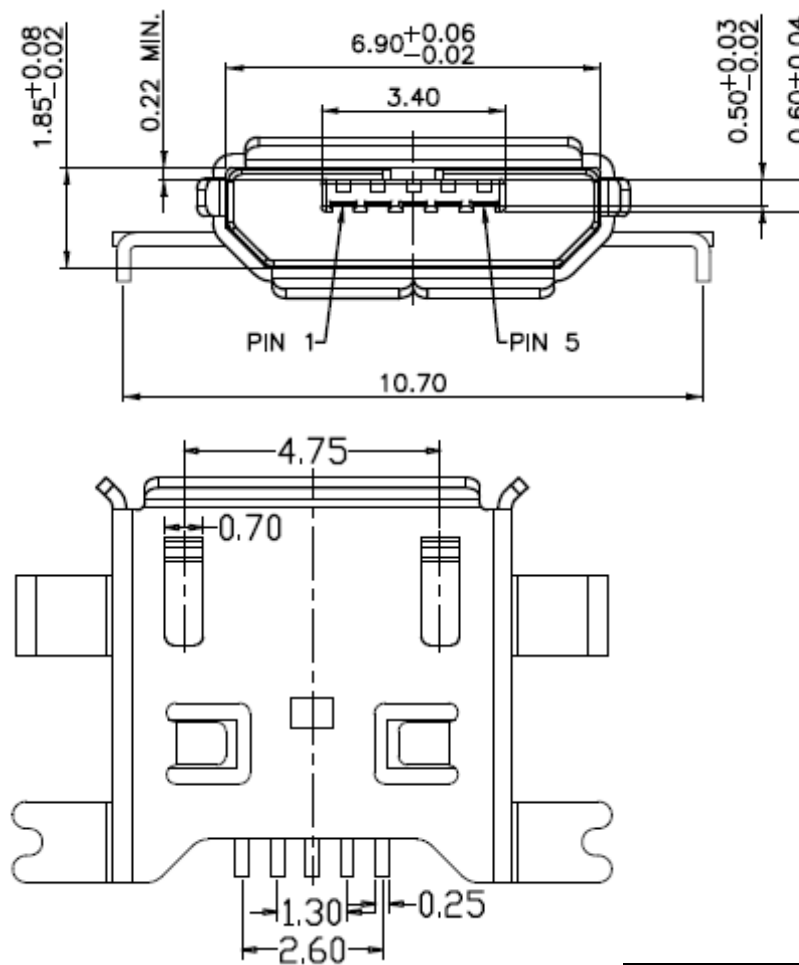
Material:

Insulator : look order code
 Color: look order code
 Contact Material: look order code
 Contact Type: Stamped
 Contact Plating: look order code
 Shielding: look order code
 Lifetime: 1500 cycles



Sink H: 1.60
Type1

Drawing (dimensions all into mm)



SMT Micro USB Connector Type
B Drop-In Shell SMT/DIP

Part No.: T64055

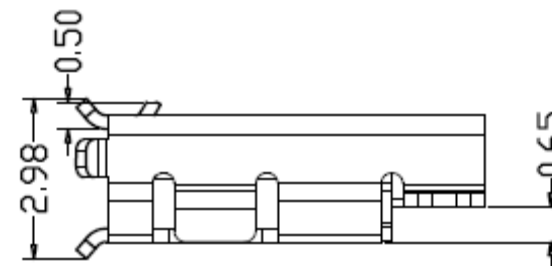
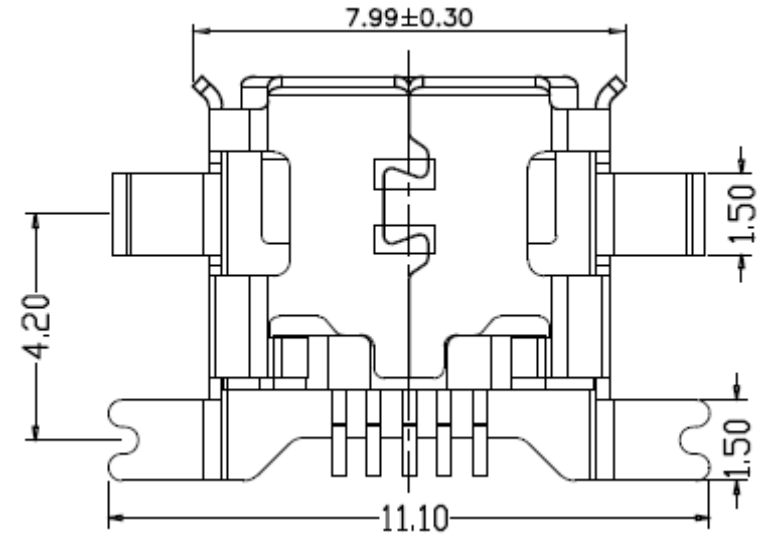
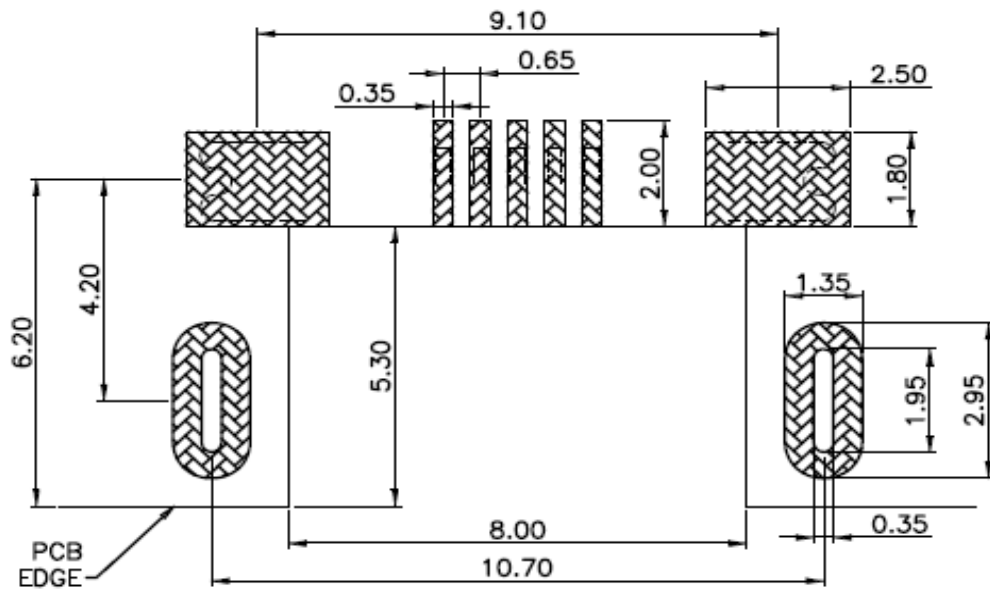
Customer:

DRW:	Jason	CHKD	Wilson	MATL:	Wilson	TOLERANCE	Mason	DATE	15.08.2015
APPD:	Schumi			FINISH	Jamy		Sheet No.		1 from 4

EDCON-COMPONENTS



PCB Layout



Sink H:0.65
Type2

SMT Micro USB Connector Type
B Drop-In Shell SMT/DIP

Part No.: **T64055**

Customer:

DRW:	Jason	CHKD	Wilson	MATL:	Wilson	TOLERANCE	Mason	DATE	15.08.2015
APPD:	Schumi			FINISH	Jamy		Sheet No.	2 from 4	

EDCON-COMPONENTS



Ordering Informations

Serie	Color Inside	Shell Material	Insulator Material	Contact Material	Contact Plating	Special function	Packing	Packing		
T64055	BK	B	P	B	G0	1	R	BU		

BK= Black Color	B= Brass	P= PBT + 30% GF	B= Brass	G0= Gold Flash (Standard)	1= Sink Type 1	R= ROHS conform	BU= Bulk Ware	
WH= White Color	I= Iron	L= LCP	P= Phosphor Copper		G1= 3μ Gold		2= Sink Type 2	N= NON ROHS conform
	S= Stainless Steel				G1= 5μ Gold	TR= Tape / Reel w. Pic and Place Foil		
					G1= 10μ Gold	IV= Individual Packing		
					G1= 15μ Gold			
					G1= 30μ Gold			

PIC and PLACE FOIL for automatic assembly machine



SMT Micro USB Connector Type B Drop-In Shell SMT/DIP

Part No.: **T64055**

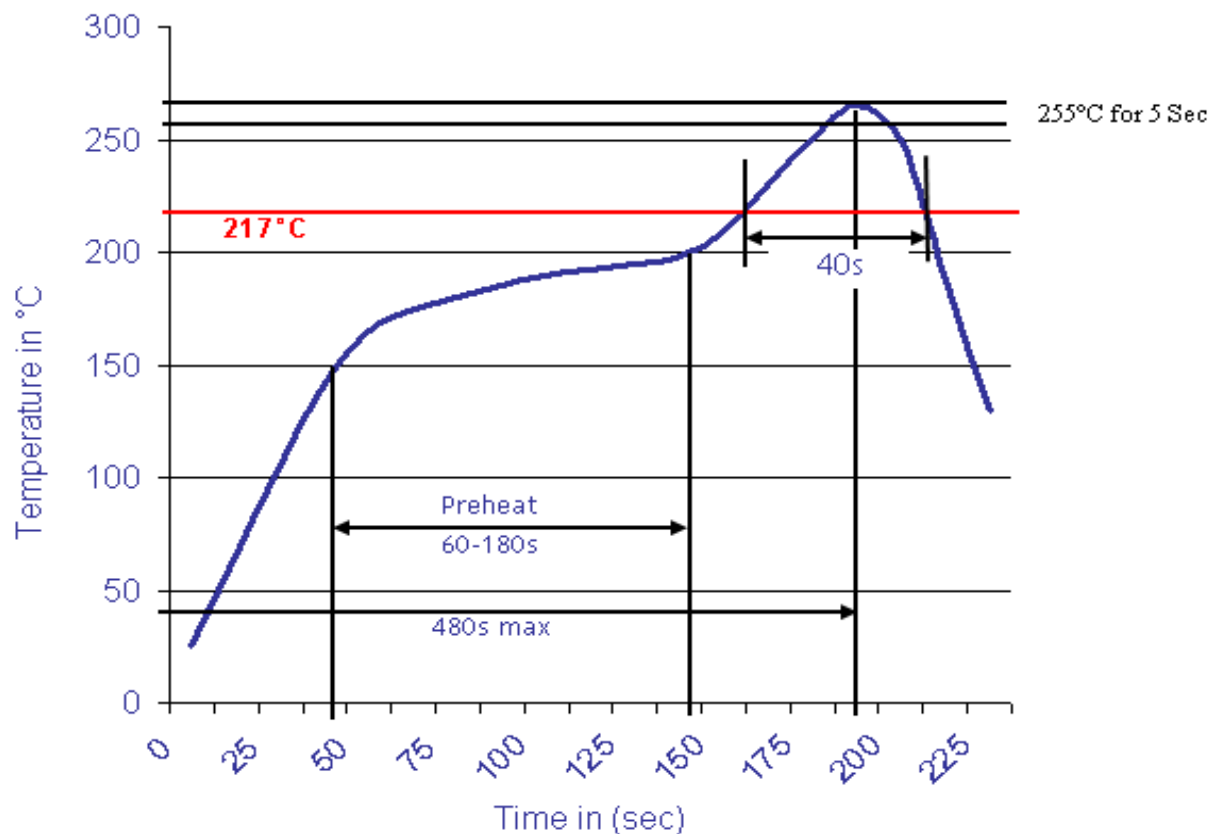
DRW:	Jason	CHKD	Wilson	MATL:	Wilson	TOLERANCE	Mason	DATE	15.08.2015
APPD:	Schumi			FINISH	Jamy		Sheet No.		3 from 4

Customer:



Soldering Profile Curve

Classification Reflow Profile (JEDEC J-STD-020C)



**SMT Micro USB Connector
Type B Drop-In Shell
SMT/DIP**
Part No.: **T64055**

DRW:	Jason	CHKD	Wilson	MATL:	Wilson	TOLERANCE	Mason	DATE	15.08.2015
APPD:	Schumi			FINISH	Jamy		Sheet No.	4 from 4	Customer: