

EDCON-COMPONENTS

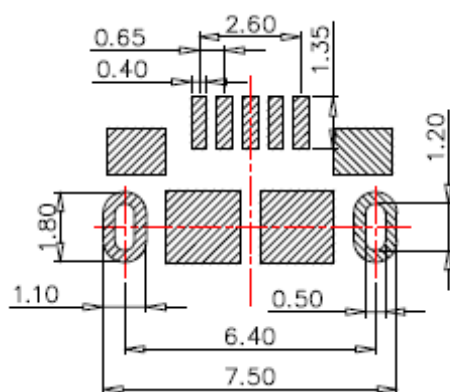


Specifications

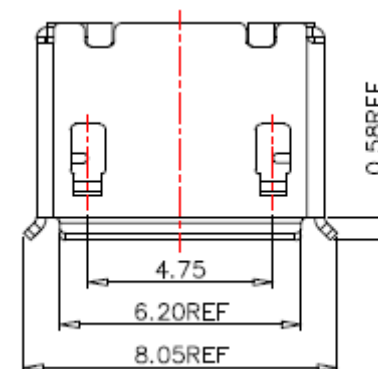
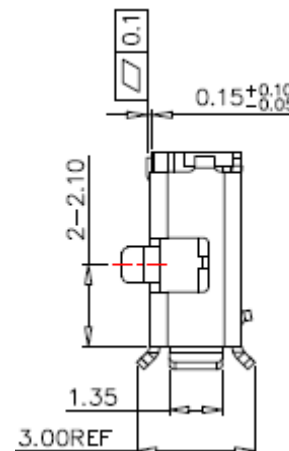
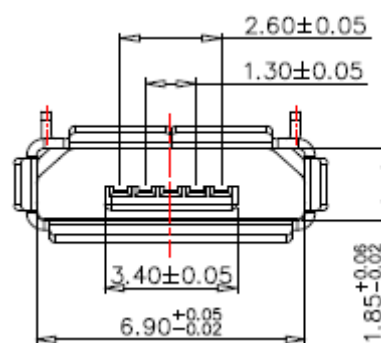
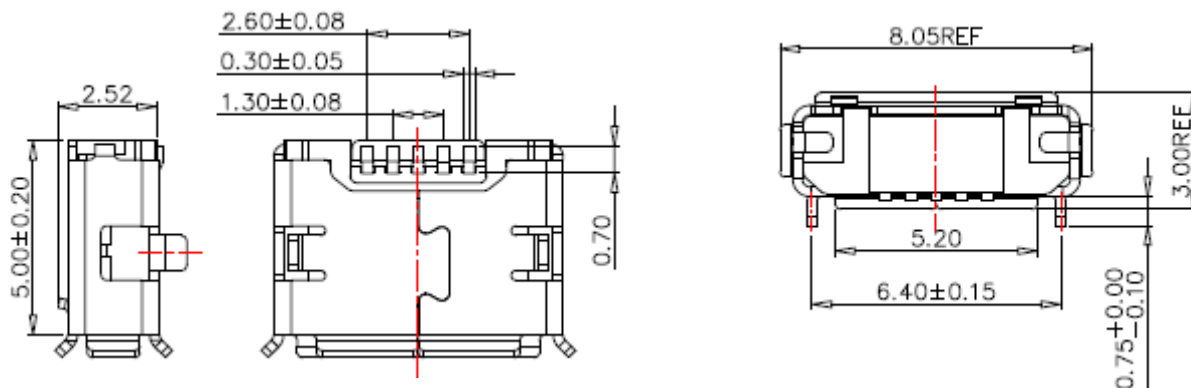
Voltage Rating: 100 VAC
 Current Rating: 1,0A max.
 Operating Temperature: - 40°C to + 105°C
 Contact Resistance: 50m Ohm max.
 Withstanding Voltage: 750VAC min.
 Insulation Resistance: >100M Ohm min.

Material Housing:
 Insulator : look order code
 Color: look order code
 Contact Material: look order code
 Contact Type: Stamped
 Contact Plating: look order code
 Shielding: look order code
 Lifetime: 1500 cycles

PCB Layout



Drawing (dimensions all into mm)



SMT Micro USB Connector Type AB

Part No.: **T64053**

Customer:

| | | | | | | | | | |
|-------|--------|------|--------|--------|--------|-----------|-----------|----------|------------|
| DRW: | Jason | CHKD | Wilson | MATL: | Wilson | TOLERANCE | Mason | DATE | 14.08.2015 |
| APPD: | Schumi | | | FINISH | Jamy | | Sheet No. | 1 from 3 | |

EDCON-COMPONENTS



Ordering Informations

| Serie | Color Inside | Shell Material | Insulator Material | Contact Material | Contact Plating | Special function | Packing | Packing | | |
|---------------|--------------|----------------|--------------------|------------------|-----------------|------------------|----------|-----------|--|--|
| T64053 | BK | B | P | B | G0 | 1 | R | BU | | |

| | | | | | | | |
|-------------------------|----------------------------|-------------------------|----------------------------|-----------------------------------|---|-------------------------|-----------------------|
| BK = Black Color | B = Brass | P = PBT + 30% GF | B = Brass | G0 = Gold Flash (Standard) | 1 = without Post | R = ROHS conform | BU = Bulk Ware |
| WH = White Color | I = Iron | L = LCP | P = Phosphor Copper | G1 = 3μ Gold | | | |
| | S = Stainless Steel | | | G1 = 5μ Gold | TR = Tape / Reel w. Pic and Place Foil | | |
| | | | | G1 = 10μ Gold | IV = Individual Packing | | |
| | | | | G1 = 15μ Gold | | | |
| | | | | G1 = 30μ Gold | | | |

PIC and PLACE FOIL for automatic assembly machine



SMT Micro USB Connector Type AB

Part No.: **T64053**

| | | | | | | | | | | |
|-------|--------|------|--------|--------|--------|-----------|-----------|----------|------------|-----------|
| DRW: | Jason | CHKD | Wilson | MATL: | Wilson | TOLERANCE | Mason | DATE | 14.08.2015 | Customer: |
| APPD: | Schumi | | | FINISH | Jamy | | Sheet No. | 2 from 2 | | |



Soldering Profile Curve

Classification Reflow Profile (JEDEC J-STD-020C)



**SMT Micro USB Connector
Type AB**

Part No.: **T64053**

| | | | | | | | | | |
|-------|--------|------|--------|--------|--------|-----------|-----------|----------|------------|
| DRW: | Jason | CHKD | Wilson | MATL: | Wilson | TOLERANCE | Mason | DATE | 14.08.2015 |
| APPD: | Schumi | | | FINISH | Jamy | | Sheet No. | 3 from 3 | Customer: |