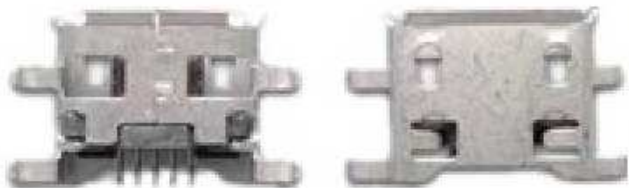


# EDCON-COMPONENTS



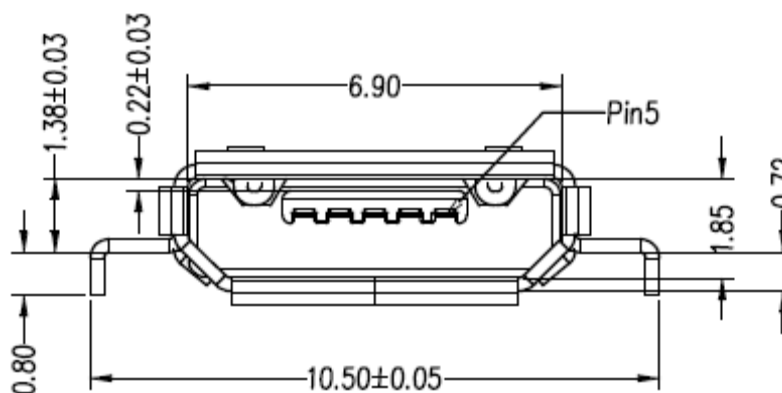
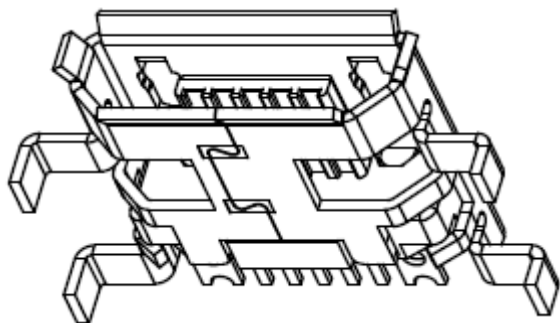
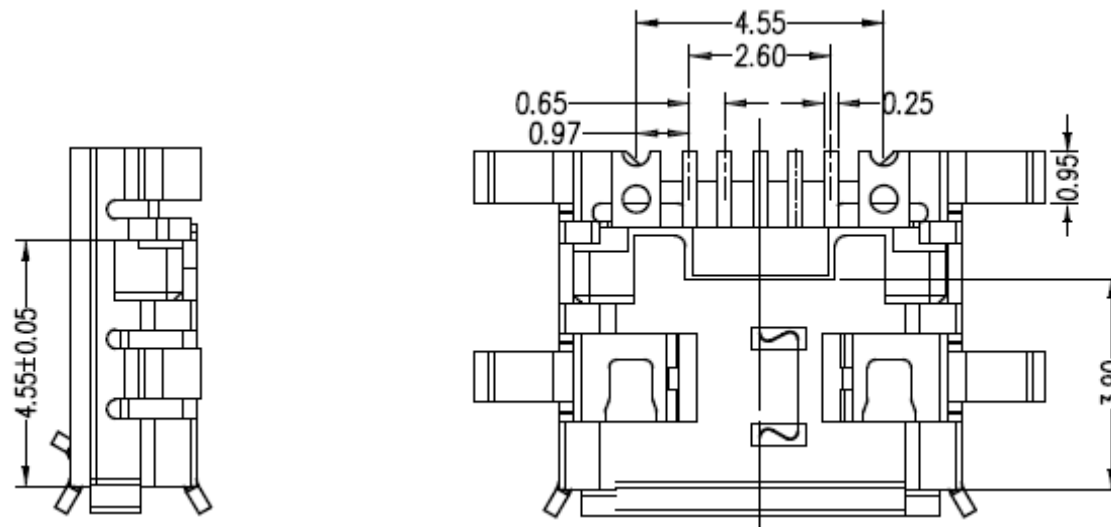
## Specifications

Voltage Rating: 100 VAC  
 Current Rating: 0,8A max.  
 Operating Temperature: - 30°C to + 80°C  
 Contact Resistance: 50m Ohm max.  
 Withstanding Voltage: 500VAC min.  
 Insulation Resistance: >100M Ohm min.  
 Contact Thickness: 0,15mm

### Material:

Insulator : look order code  
 Color: look order code  
 Contact Material: look order code  
 Contact Type: Stamped  
 Contact Plating: look order code  
 Shielding: look order code  
 Lifetime: 1500 cycles

## Drawing ( dimensions all into mm )



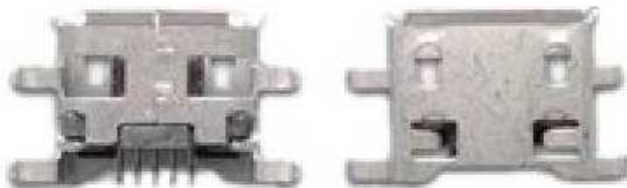
**SMT Micro USB Connector Type  
 B Shell DIP w. Post**

Part No.: **T64052**

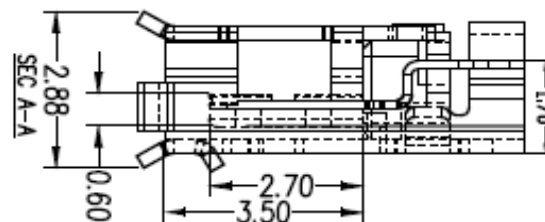
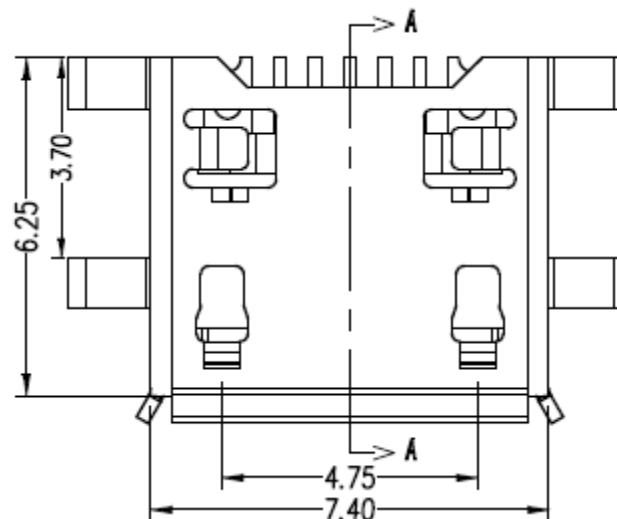
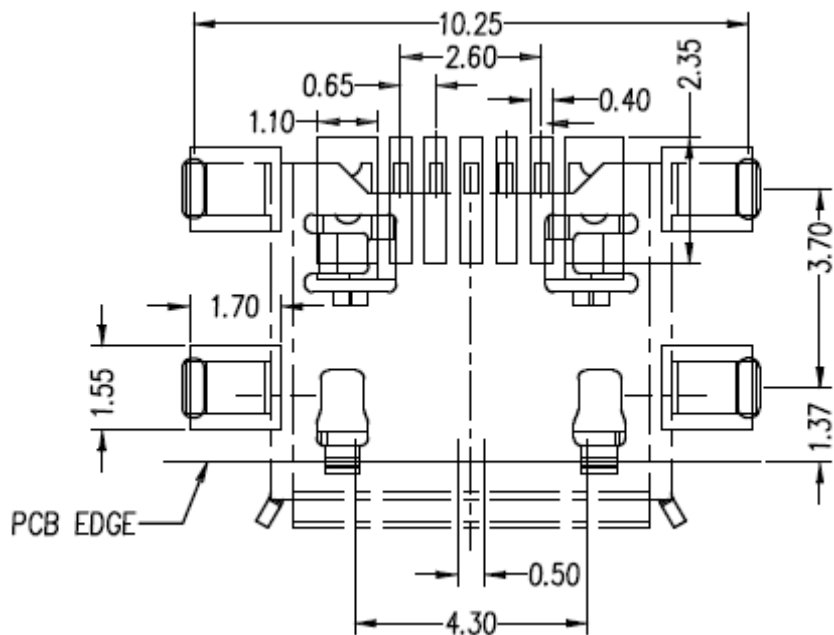
Customer:

DRW:	Jason	CHKD	Wilson	MATL:	Wilson	TOLERANCE	Mason	DATE	15.08.2015
APPD:	Schumi			FINISH	Jamy		Sheet No.	1 from 4	

# EDCON-COMPONENTS



## PCB Layout



**SMT Micro USB Connector Type B Shell DIP w. Post**

Part No.: **T64052**

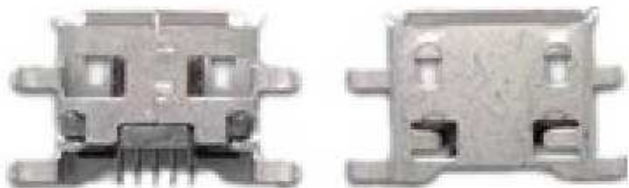
Customer:

DRW:	Jason	CHKD	Wilson	MATL:	Wilson	TOLERANCE	Mason	DATE	15.08.2015
APPD:	Schumi			FINISH	Jamy			Sheet No.	2 from 4

[www.edcon-components.com](http://www.edcon-components.com)

email: [info@edcon-components.com](mailto:info@edcon-components.com)

# EDCON-COMPONENTS



## Ordering Informations

Serie	Color Inside	Shell Material	Insulator Material	Contact Material	Contact Plating	Special function	Packing	Packing		
<b>T64052</b>	<b>BK</b>	<b>B</b>	<b>P</b>	<b>B</b>	<b>G0</b>	<b>0</b>	<b>R</b>	<b>BU</b>		

<b>BK=</b> Black Color	<b>B=</b> Brass	<b>P=</b> PBT + 30% GF	<b>B=</b> Brass	<b>G0=</b> Gold Flash (Standard)	<b>0=</b> No special function	<b>R=</b> ROHS conform <b>N=</b> NON ROHS conform	<b>BU=</b> Bulk Ware
<b>WH=</b> White Color	<b>I=</b> Iron	<b>L=</b> LCP	<b>P=</b> Phosphor Copper	<b>G1=</b> 3μ Gold			<b>TR=</b> Tape / Reel w. Pic and Place Foil
	<b>S=</b> Stainless Steel			<b>G1=</b> 5μ Gold			
				<b>G1=</b> 10μ Gold			
				<b>G1=</b> 15μ Gold			
				<b>G1=</b> 30μ Gold			
						<b>IV=</b> Individual Packing	

**PIC and PLACE FOIL** for automatic assembly machine

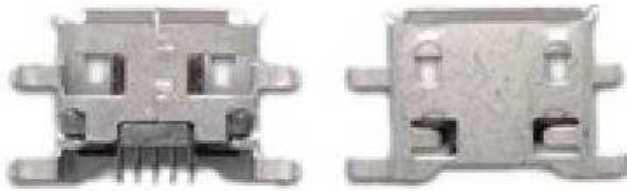


**SMT Micro USB Connector Type B Shell DIP w. Post**

Part No.: **T64052**

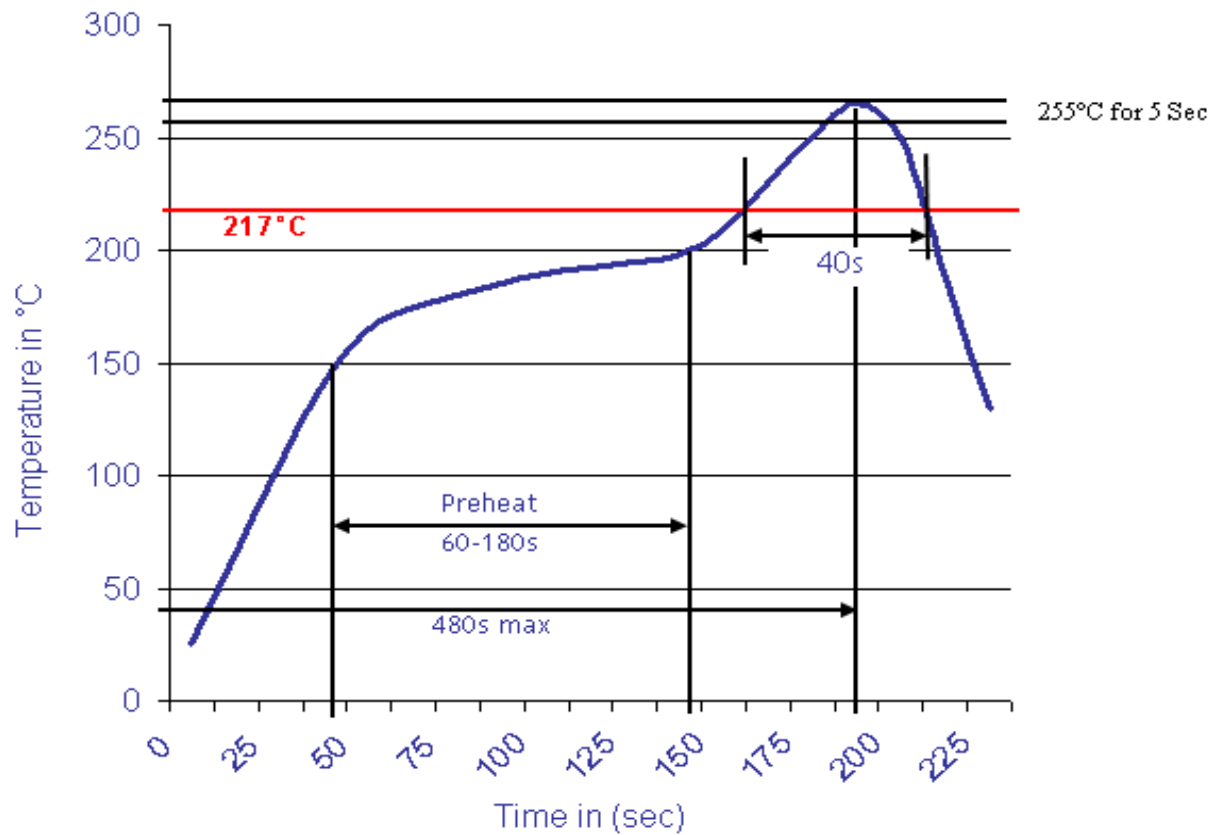
DRW:	Jason	CHKD	Wilson	MATL:	Wilson	TOLERANCE	Mason	DATE	15.08.2015
APPD:	Schumi			FINISH	Jamy		Sheet No.		3 from 4

Customer:



Soldering Profile Curve

Classification Reflow Profile (JEDEC J-STD-020C)



**SMT Micro USB Connector  
Type B Shell DIP w. Post**

Part No.: **T64052**

DRW:	Jason	CHKD	Wilson	MATL:	Wilson	TOLERANCE	Mason	DATE	15.08.2015
APPD:	Schumi			FINISH	Jamy		Sheet No.	4 from 4	Customer: