

# EDCON-COMPONENTS

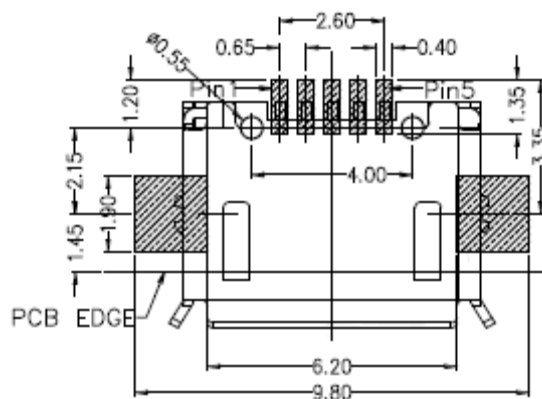


## Specifications

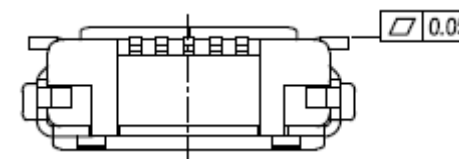
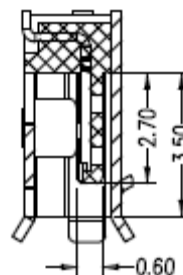
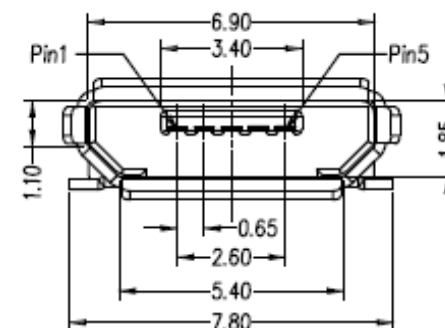
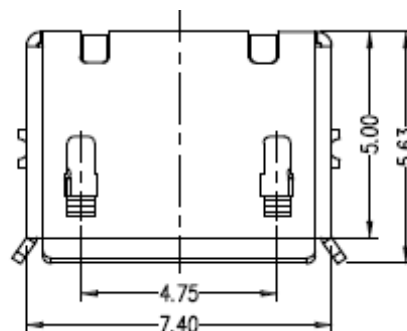
Voltage Rating: 100 VAC  
 Current Rating: 1,0A max.  
 Operating Temperature: - 40°C to + 105°C  
 Contact Resistance: 50m Ohm max.  
 Withstanding Voltage: 750VAC min.  
 Insulation Resistance: >100M Ohm min.

Material Housing:  
 Insulator : look order code  
 Color: look order code  
 Contact Material: look order code  
 Contact Type: Stamped  
 Contact Plating: look order code  
 Shielding: look order code  
 Lifetime: 1500 cycles

## PCB Layout



## Drawing ( dimensions all into mm)



**SMT Micro USB Connector Type B**

Part No.: **T64048**

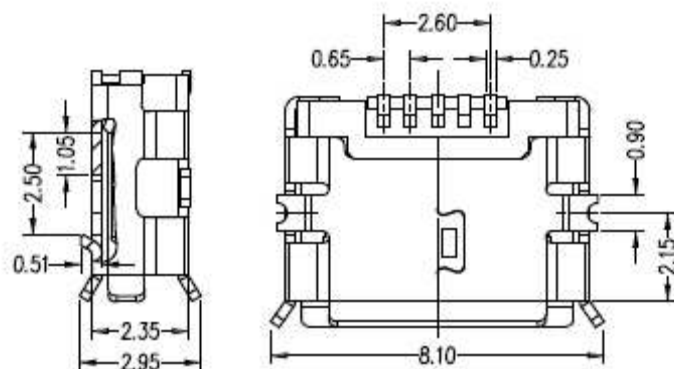
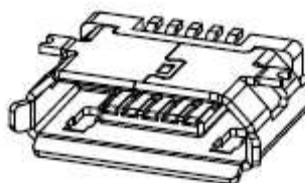
Customer:

DRW:	Jason	CHKD	Wilson	MATL:	Wilson	TOLERANCE	Mason	DATE	13.08.2015
APPD:	Schumi			FINISH	Jamy		Sheet No.		1 from 4

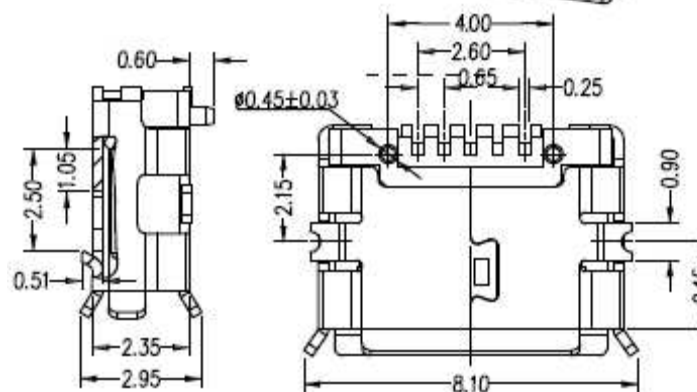
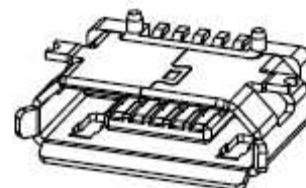
# EDCON-COMPONENTS



WITHOUT POST  
A: Type1



WITH POST  
B: Type2



**SMT Micro USB Connector Type B**

Part No.: **T64048**

Customer:

DRW:	Jason	CHKD	Wilson	MATL:	Wilson	TOLERANCE	Mason	DATE	13.08.2015
APPD:	Schumi			FINISH	Jamy		Sheet No.	2 from 4	

# EDCON-COMPONENTS



## Ordering Informations

Serie	Color Inside	Shell Material	Insulator Material	Contact Material	Contact Plating	Special function	Packing	Packing		
<b>T64048</b>	<b>BK</b>	<b>B</b>	<b>P</b>	<b>B</b>	<b>G0</b>	<b>0</b>	<b>R</b>	<b>BU</b>		

<b>BK</b> = Black Color	<b>B</b> = Brass	<b>P</b> = PBT + 30% GF	<b>B</b> = Brass	<b>G0</b> = Gold Flash (Standard)	<b>1</b> = without Post	<b>R</b> = ROHS conform	<b>BU</b> = Bulk Ware
<b>WH</b> = White Color	<b>I</b> = Iron	<b>L</b> = LCP	<b>P</b> = Phosphor Copper	<b>G1</b> = 3μ Gold	<b>2</b> = with Post	<b>N</b> = NON ROHS conform	<b>TY</b> = Tray Packing
	<b>S</b> = Stainless Steel			<b>G1</b> = 5μ Gold			<b>TR</b> = Tape / Reel w. Pic and Place Foil
				<b>G1</b> = 10μ Gold			<b>IV</b> = Individual Packing
				<b>G1</b> = 15μ Gold			
				<b>G1</b> = 30μ Gold			



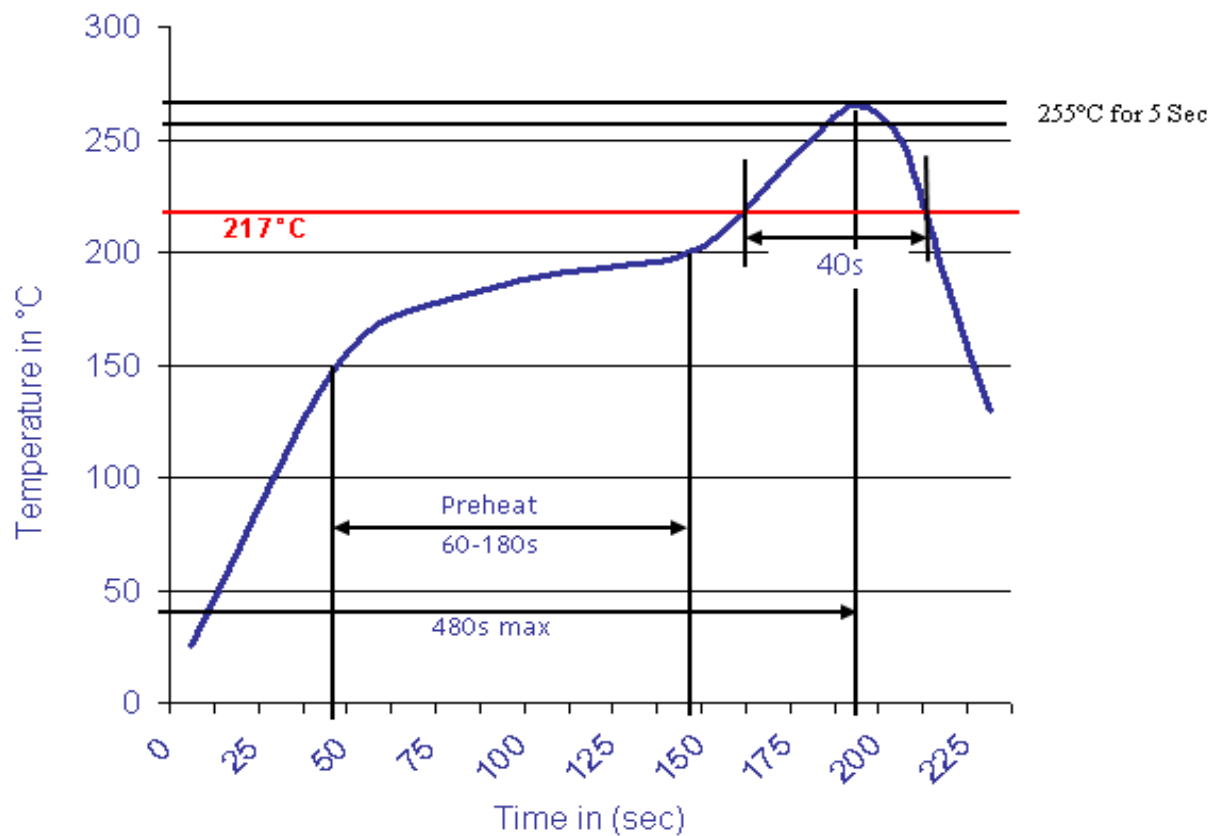
<b>SMT Micro USB Connector Type B</b>	
Part No.:	<b>T64048</b>
Customer:	

DRW:	Jason	CHKD	Wilson	MATL:	Wilson	TOLERANCE	Mason	DATE	13.08.2015
APPD:	Schumi			FINISH	Jamy		Sheet No.		3 from 4



Soldering Profile Curve

Classification Reflow Profile (JEDEC J-STD-020C)



<b>SMT Micro USB Connector Type B</b>	
Part No.:	<b>T64048</b>
Customer:	

DRW:	Jason	CHKD	Wilson	MATL:	Wilson	TOLERANCE	Mason	DATE	13.08.2015
APPD:	Schumi			FINISH	Jamy		Sheet No.	4 from 4	