

# EDCON-COMPONENTS



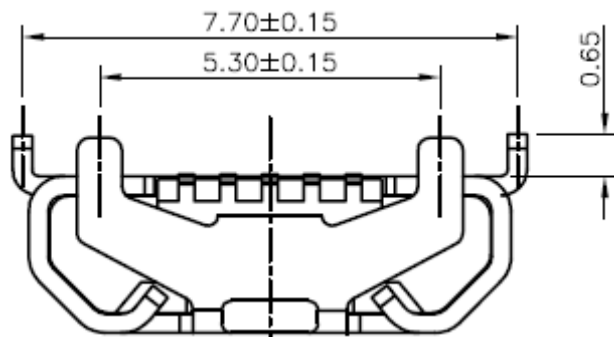
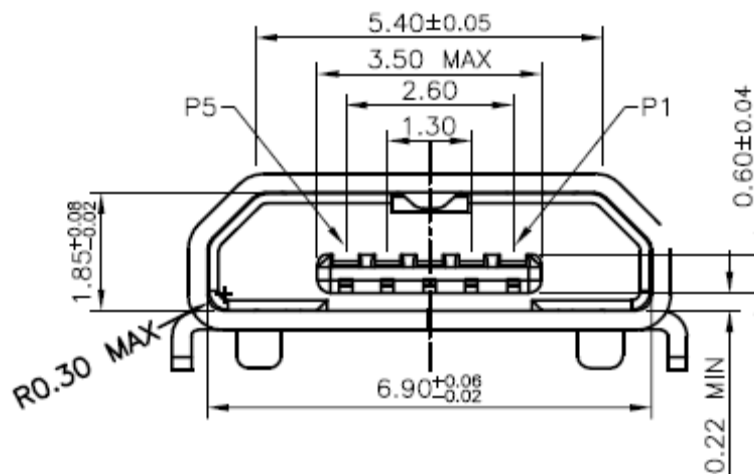
## Specifications

Voltage Rating: 100 VAC  
 Current Rating: 1,0A max.  
 Operating Temperature: - 30°C to + 80°C  
 Contact Resistance: 50m Ohm max.  
 Withstanding Voltage: 500VAC min.  
 Insulation Resistance: >100M Ohm min.  
 Contact Thickness: 0,15mm

### Material:

Insulator : look order code  
 Color: look order code  
 Contact Material: look order code  
 Contact Type: Stamped  
 Contact Plating: look order code  
 Shielding: look order code  
 Lifetime: 10000 cycles  
 Mating Force: 35N max.

## Drawing ( dimensions all into mm)



Pin NUMBER	SIGNAL NAME
1	VBUS
2	D-
3	D+
4	ID
5	GND
Shell	Shield

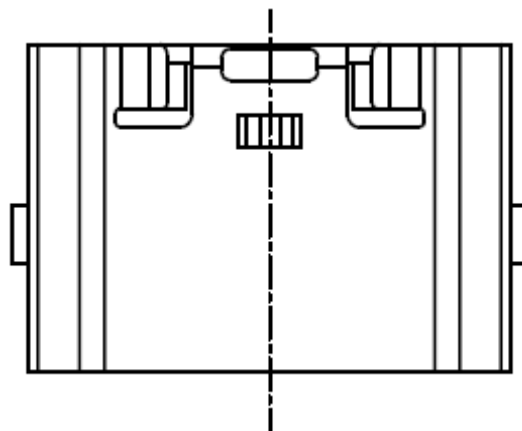
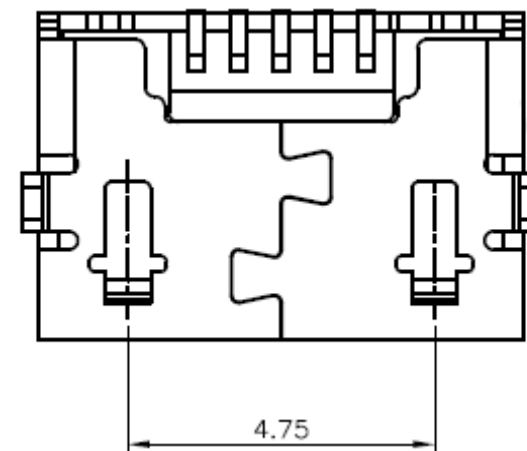
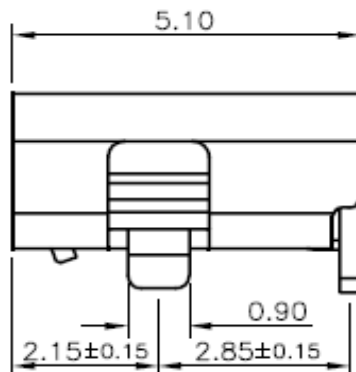
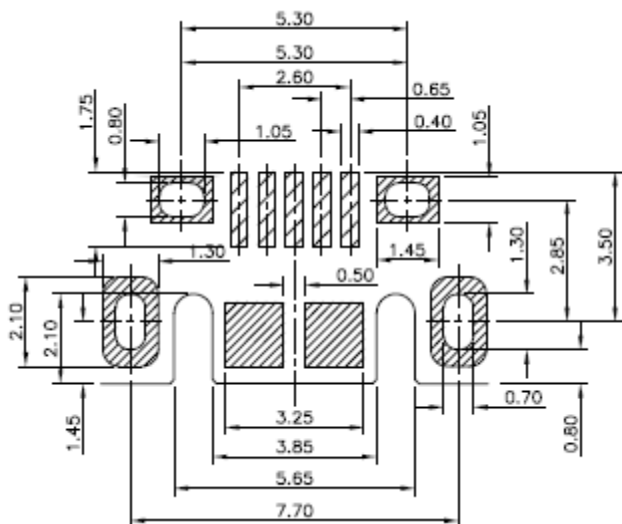
**SMT Micro USB Connector Type B with Ejector Type**

Part No.: **T64046**

DRW:	Jason	CHKD	Wilson	MATL:	Wilson	TOLERANCE	Mason	DATE	15.08.2015	Customer:
APPD:	Schumi			FINISH	Jamy		Sheet No.	1 from 4		



## PCB Layout



**SMT Micro USB Connector Type B with Ejector Type**

Part No.: **T64046**

Customer:

DRW:	Jason	CHKD	Wilson	MATL:	Wilson	TOLERANCE	Mason	DATE	15.08.2015
APPD:	Schumi			FINISH	Jamy		Sheet No.	2 from 4	

# EDCON-COMPONENTS



## Ordering Informations

Serie	Color Inside	Shell Material	Insulator Material	Contact Material	Contact Plating	Special function	Packing	Packing		
<b>T64046</b>	<b>BK</b>	<b>B</b>	<b>P</b>	<b>B</b>	<b>G0</b>	<b>0</b>	<b>R</b>	<b>BU</b>		

<b>BK=</b> Black Color	<b>B=</b> Brass	<b>P=</b> PBT + 30% GF	<b>B=</b> Brass	<b>G0=</b> Gold Flash (Standard)	<b>0=</b> No special function	<b>R=</b> ROHS conform <b>N=</b> NON ROHS conform	<b>BU=</b> Bulk Ware
<b>WH=</b> White Color	<b>I=</b> Iron	<b>L=</b> LCP	<b>P=</b> Phosphor Copper	<b>G1=</b> 3μ Gold			<b>TR=</b> Tape / Reel w. Pic and Place Foil
	<b>S=</b> Stainless Steel			<b>G1=</b> 5μ Gold			
		<b>G1=</b> 10μ Gold					
		<b>G1=</b> 15μ Gold					
		<b>G1=</b> 30μ Gold					
						<b>IV=</b> Individual Packing	

**PIC and PLACE FOIL** for automatic assembly machine



**SMT Micro USB Connector Type B with Ejector Type**

Part No.: **T64046**

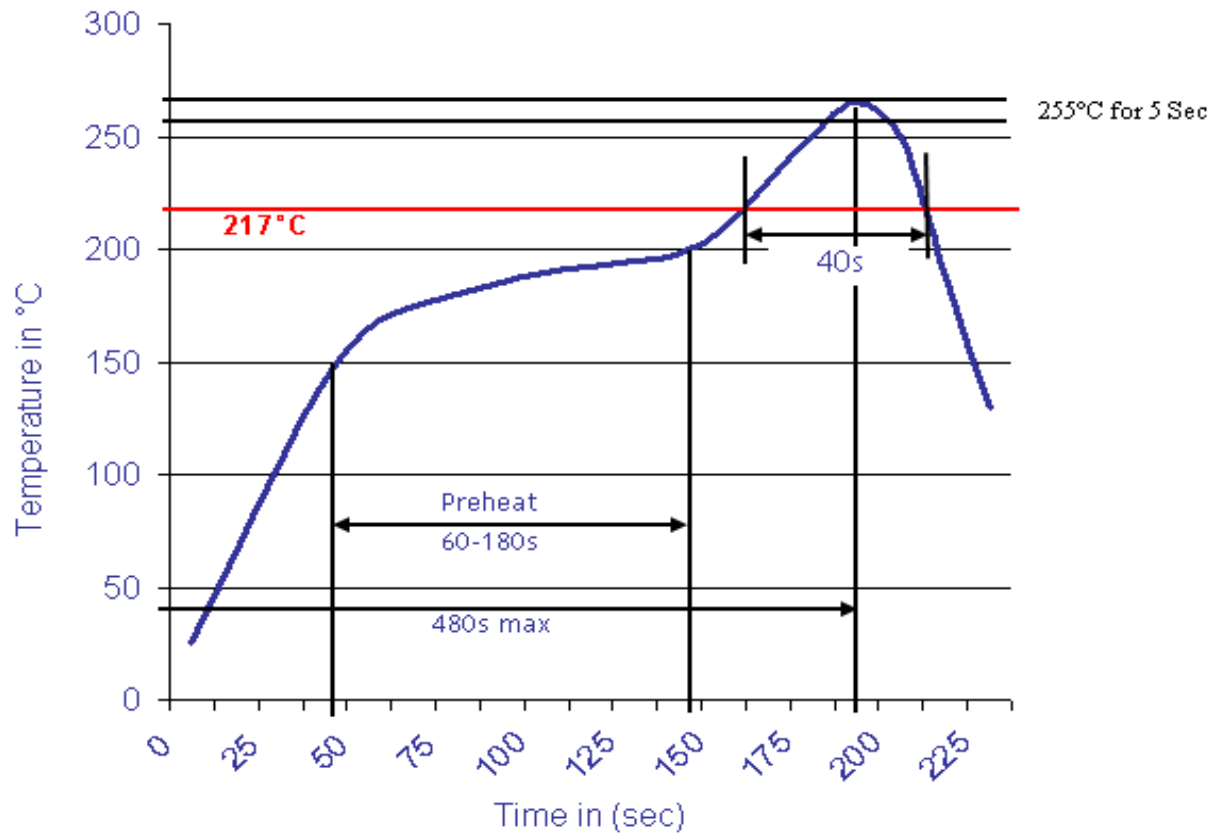
DRW:	Jason	CHKD	Wilson	MATL:	Wilson	TOLERANCE	Mason	DATE	15.08.2015
APPD:	Schumi			FINISH	Jamy		Sheet No.		3 from 4

Customer:



Soldering Profile Curve

Classification Reflow Profile (JEDEC J-STD-020C)



**SMT Micro USB Connector  
Type B with Ejector Type**

Part No.: **T64046**

DRW:	Jason	CHKD	Wilson	MATL:	Wilson	TOLERANCE	Mason	DATE	15.08.2015
APPD:	Schumi			FINISH	Jamy		Sheet No.	4 from 4	Customer: