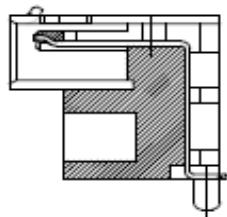


# EDCON-COMPONENTS



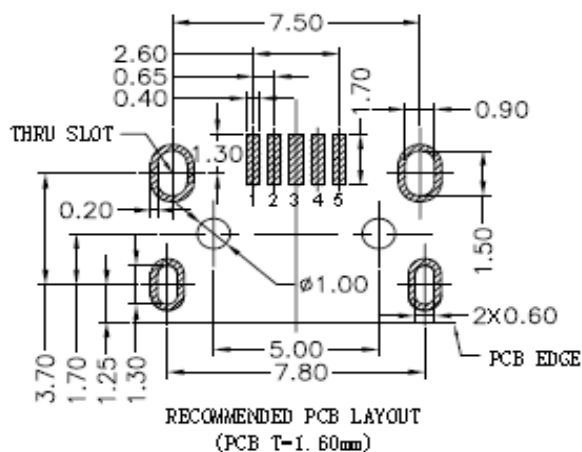
## Specifications

**Voltage Rating:** 100 VAC  
**Current Rating:** 1,0A max.  
**Operating Temperature:** - 40°C to + 105°C  
**Contact Resistance:** 50m Ohm max.  
**Withstanding Voltage:** 750VAC min.  
**Insulation Resistance:** >100M Ohm min.  
**Contact Thickness:** 0,15mm

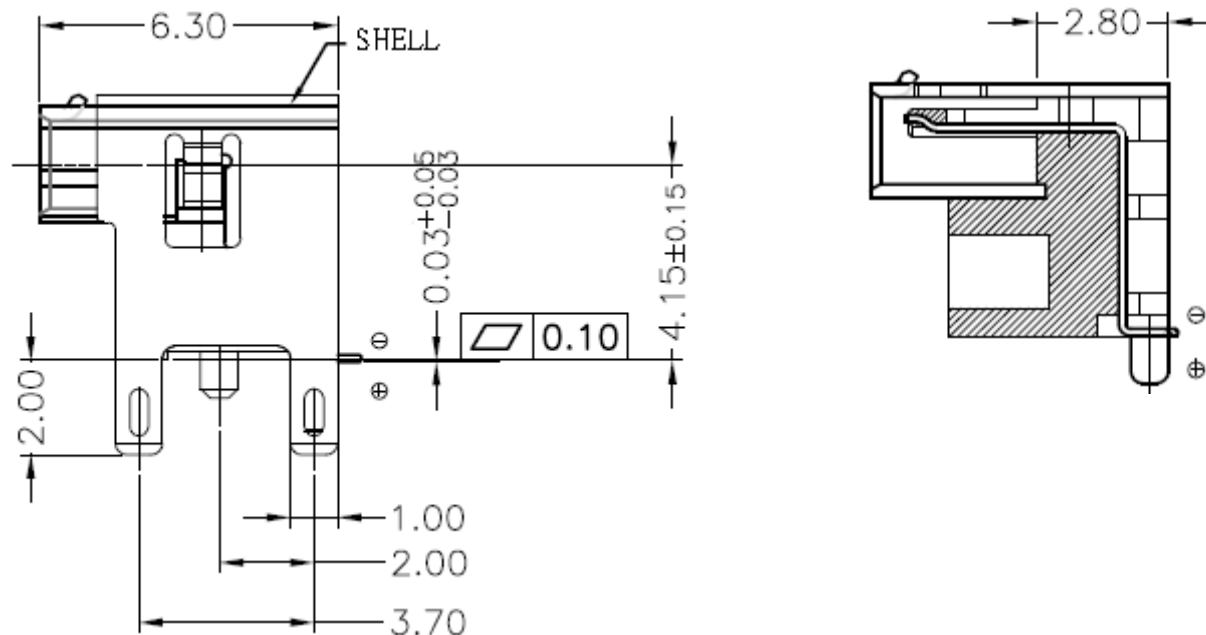
### Material:

**Insulator :** look order code  
**Color:** look order code  
**Contact Material:** look order code  
**Contact Type:** Stamped  
**Contact Plating:** look order code  
**Shielding:** look order code  
**Lifetime:** 1500 cycles

## PCB Layout



## Drawing ( dimensions all into mm)



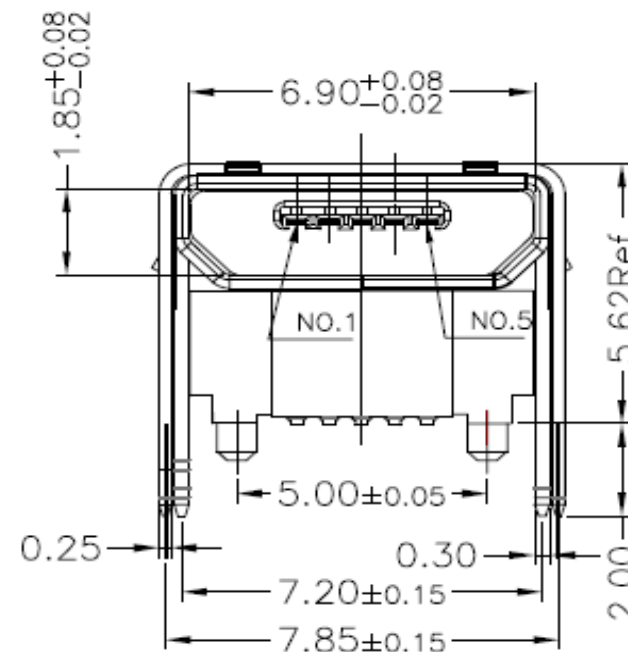
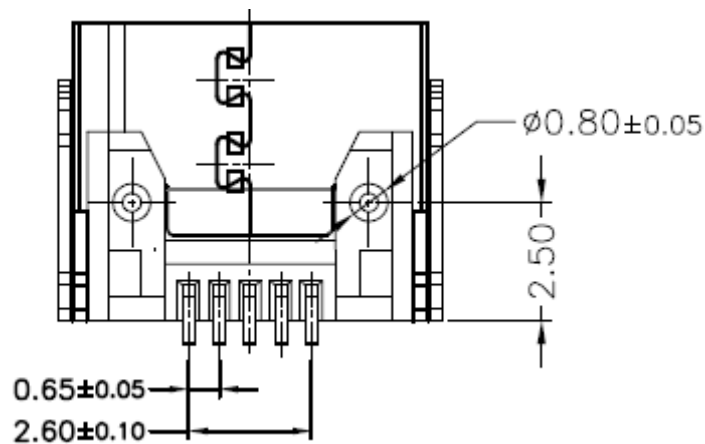
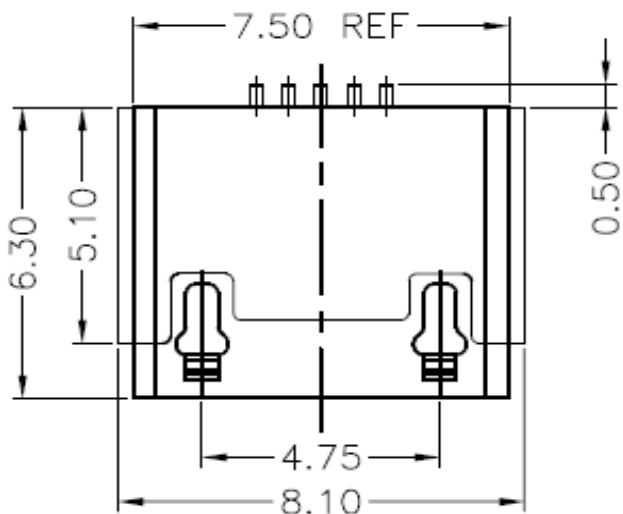
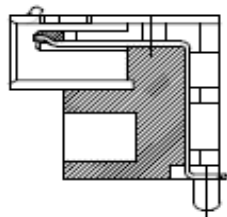
**SMT Micro USB Connector Type B Extended Feet 2,0mm**

Part No.: **T64044**

Customer:

DRW:	Jason	CHKD	Wilson	MATL:	Wilson	TOLERANCE	Mason	DATE	15.08.2015
APPD:	Schumi			FINISH	Jamy		Sheet No.	1 from 4	

# EDCON-COMPONENTS



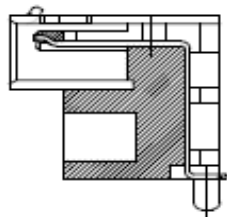
**SMT Micro USB Connector Type B Extended Feet 2,0mm**

Part No.: **T64044**

Customer:

DRW:	Jason	CHKD	Wilson	MATL:	Wilson	TOLERANCE	Mason	DATE	15.08.2015
APPD:	Schumi			FINISH	Jamy		Sheet No.	2 from 4	

# EDCON-COMPONENTS



## Ordering Informations

Serie	Color Inside	Shell Material	Insulator Material	Contact Material	Contact Plating	Special function	Packing	Packing		
<b>T64044</b>	<b>BK</b>	<b>B</b>	<b>P</b>	<b>B</b>	<b>G0</b>	<b>0</b>	<b>R</b>	<b>BU</b>		

<b>BK=</b> Black Color	<b>B=</b> Brass	<b>P=</b> PBT + 30% GF	<b>B=</b> Brass	<b>G0=</b> Gold Flash (Standard)	<b>0=</b> No special function	<b>R=</b> ROHS conform	<b>BU=</b> Bulk Ware
<b>WH=</b> White Color	<b>I=</b> Iron	<b>L=</b> LCP	<b>P=</b> Phosphor Copper	<b>G1=</b> 3μ Gold		<b>N=</b> NON ROHS conform	<b>TY=</b> Tray Packing
	<b>S=</b> Stainless Steel			<b>G1=</b> 5μ Gold			<b>TR=</b> Tape / Reel w. Pic and Place Foil
				<b>G1=</b> 10μ Gold			<b>IV=</b> Individual Packing
				<b>G1=</b> 15μ Gold			
				<b>G1=</b> 30μ Gold			

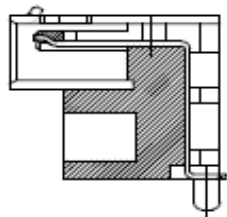
PIC and PLACE FOIL for automatic assembly machine



**SMT Micro USB Connector Type B Extended Feet 2,0mm**

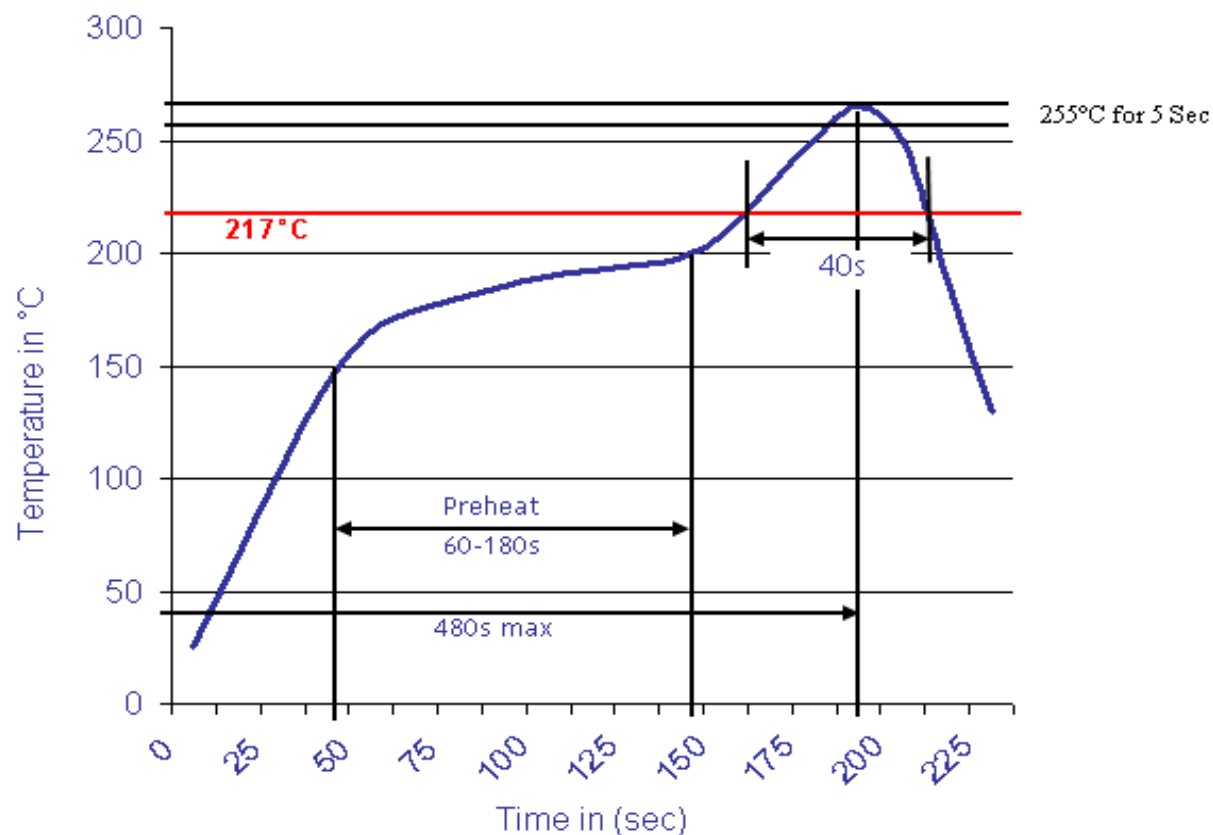
Part No.: **T64044**

DRW:	Jason	CHKD	Wilson	MATL:	Wilson	TOLERANCE	Mason	DATE	15.08.2015	Customer:
APPD:	Schumi			FINISH	Jamy		Sheet No.	3 from 4		



Soldering Profile Curve

Classification Reflow Profile (JEDEC J-STD-020C)



**SMT Micro USB Connector  
Type B Extended Feet  
2.0mm**

Part No.: **T64044**

DRW:	Jason	CHKD	Wilson	MATL:	Wilson	TOLERANCE	Mason	DATE	15.08.2015
APPD:	Schumi			FINISH	Jamy		Sheet No.	4 from 4	Customer: