

EDCON-COMPONENTS



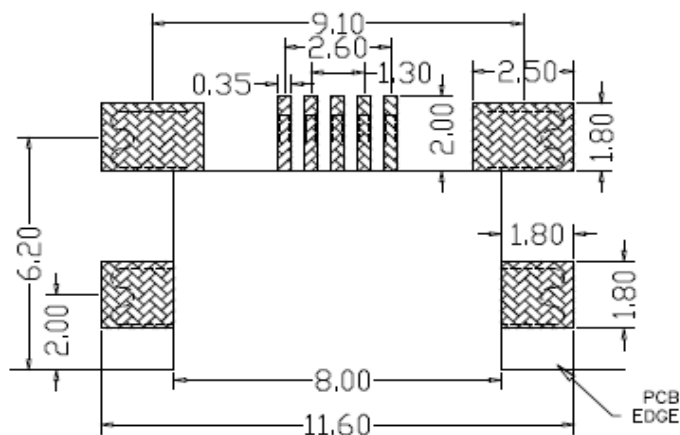
Specifications

Voltage Rating:	100 VAC
Current Rating:	1,0A max.
Operating Temperature:	- 40°C to + 105°C
Contact Resistance:	50m Ohm max.
Withstanding Voltage:	750VAC min.
Insulation Resistance:	>100M Ohm min.
Contact Thickness:	0,15mm

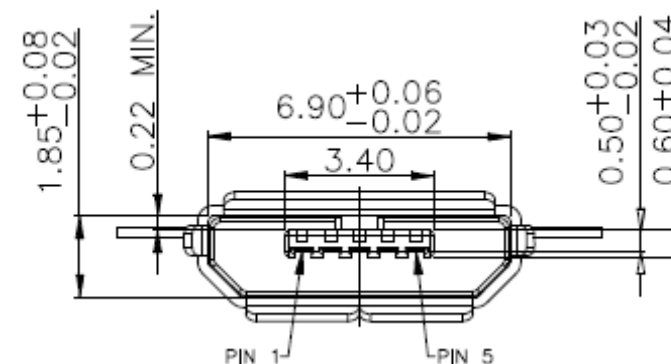
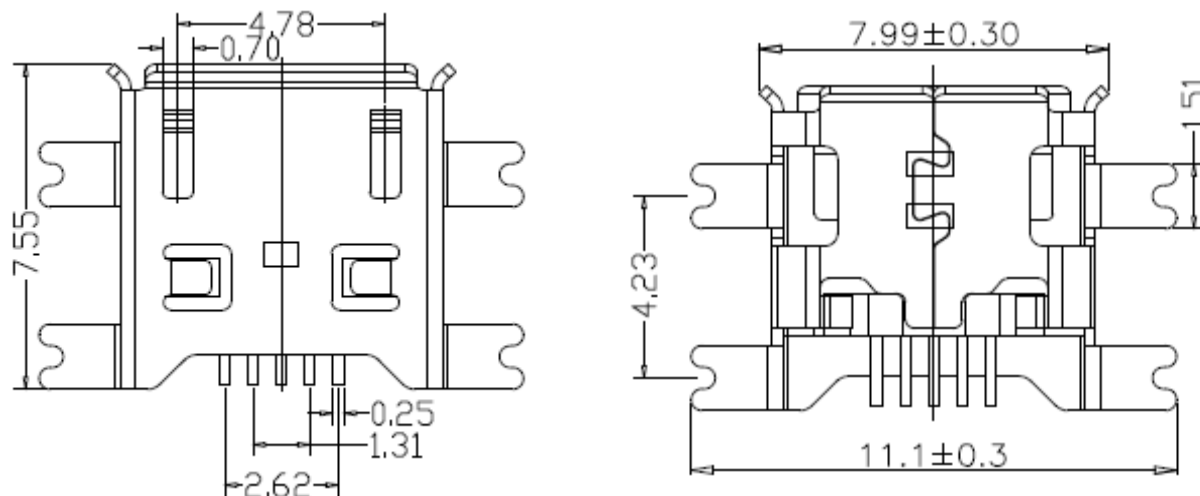
Material:

Insulator :	look order code
Color:	look order code
Contact Material:	look order code
Contact Type:	Stamped
Contact Plating:	look order code
Shielding:	look order code
Lifetime:	1500 cycles

PCB Layout



Drawing (dimensions all into mm)

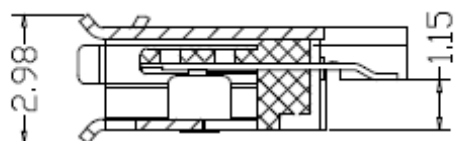


SMT Micro USB Connector Type B Drop-In

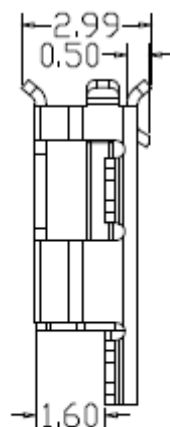
Part No.: **T64043**

Customer:

DRW:	Jason	CHKD	Wilson	MATL:	Wilson	TOLERANCE	Mason	DATE	15.08.2015
APPD:	Schumi			FINISH	Jamy		Sheet No.	1 from 4	



Sink H:1.15
Type2



Sink H:1.6
Type1

**SMT Micro USB Connector Type
B Drop-In**

Part No.: **T64043**

Customer:

DRW:	Jason	CHKD	Wilson	MATL:	Wilson	TOLERANCE	Mason	DATE	15.08.2015
APPD:	Schumi			FINISH	Jamy		Sheet No.	2 from 4	

EDCON-COMPONENTS



Ordering Informations

Serie	Color Inside	Shell Material	Insulator Material	Contact Material	Contact Plating	Special function	Packing	Packing		
T64043	BK	B	P	B	G0	1	R	BU		

BK= Black Color	B= Brass	P= PBT + 30% GF	B= Brass	G0= Gold Flash (Standard)	1= Sink Type 1	R= ROHS conform	BU= Bulk Ware	
WH= White Color	I= Iron	L= LCP	P= Phosphor Copper		G1= 3μ Gold	2= Sink Type 2	N= NON ROHS conform	TY= Tray Packing
	S= Stainless Steel				G1= 5μ Gold			TR= Tape / Reel w. Pic and Place Foil
					G1= 10μ Gold			IV= Individual Packing
					G1= 15μ Gold			
					G1= 30μ Gold			



SMT Micro USB Connector Type B Drop-In

Part No.: **T64043**

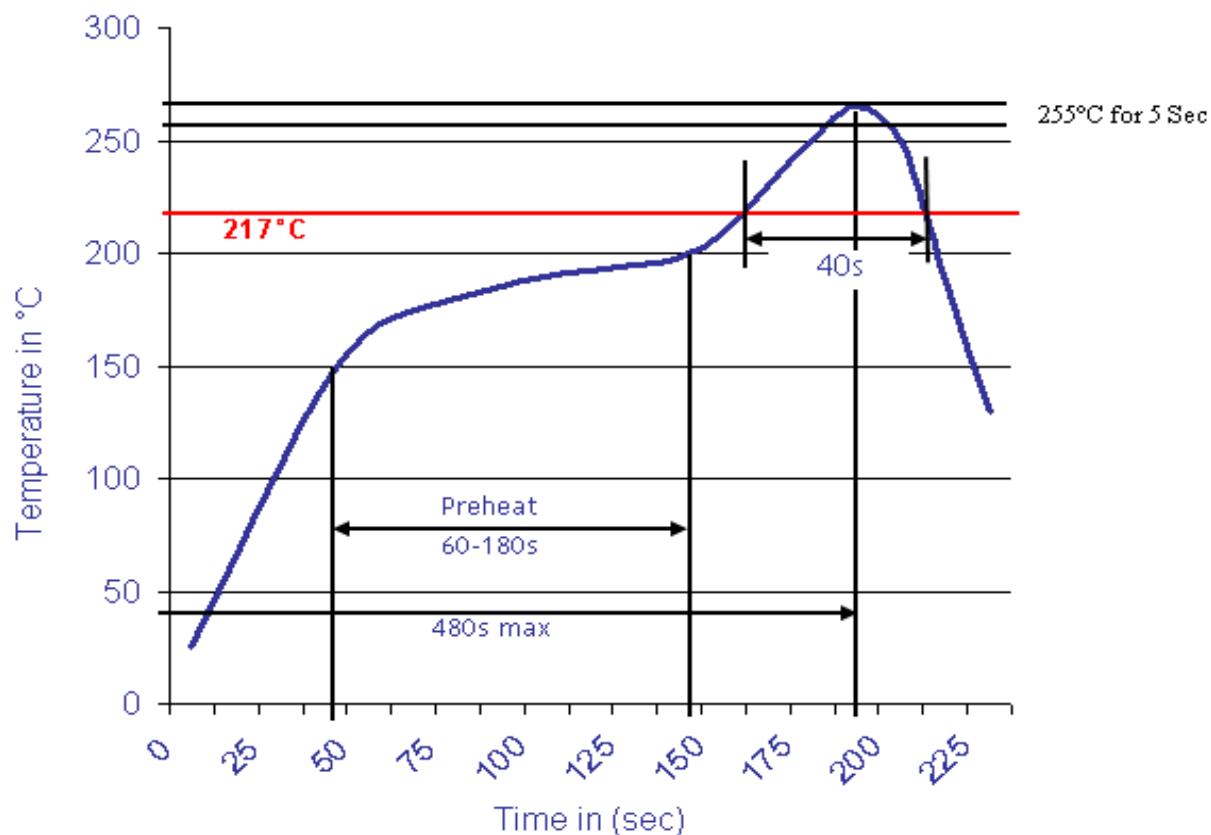
DRW:	Jason	CHKD	Wilson	MATL:	Wilson	TOLERANCE	Mason	DATE	15.08.2015
APPD:	Schumi			FINISH	Jamy		Sheet No.		3 from 4

Customer:



Soldering Profile Curve

Classification Reflow Profile (JEDEC J-STD-020C)



SMT Micro USB Connector Type B Drop-In	
Part No.:	T64043
Customer:	

DRW:	Jason	CHKD	Wilson	MATL:	Wilson	TOLERANCE	Mason	DATE	15.08.2015
APPD:	Schumi			FINISH	Jamy		Sheet No.	4 from 4	