

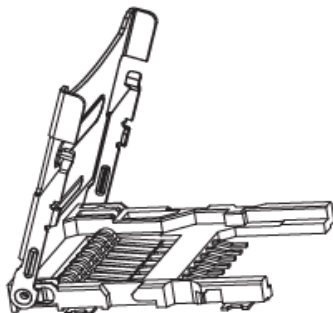
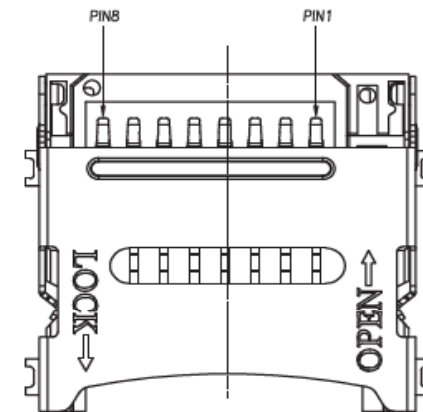
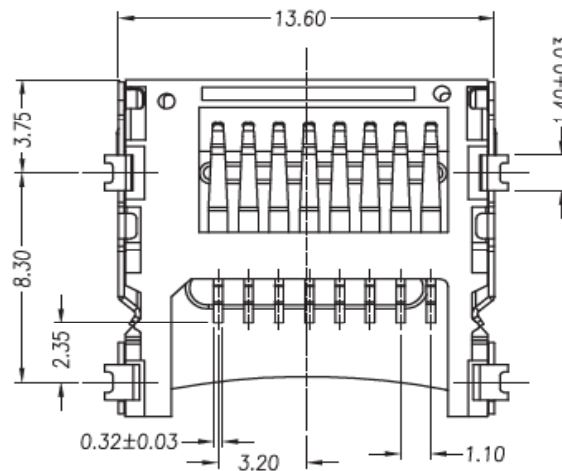
EDCON-COMPONENTS



Specifications

Housing:	HI-TEMP Plastic UL 94V-0
Terminal:	Brass
Plating:	Gold Plated on Contact Area G/F plated on Solder Tails
Shell:	Stainless Steel
Plating:	50µ" Nickel under 100µ TIN Over
Electrical:	
Current Rating:	0,5A max.
Dielectric Withstanding V.:	500VAC R.M.S. for 1 Minute
Insulation Resistance:	100MΩ min at 500V DC
Contact Resistance:	50mΩ Max.
Switch Resistance:	100mΩ Max.
Durability:	5000 Cycles:
Operating Temperature:	.-30°C to +85°C

Drawing (dimensions all into mm)



SD-Card Connector

Part No.: **T58035**

Customer:

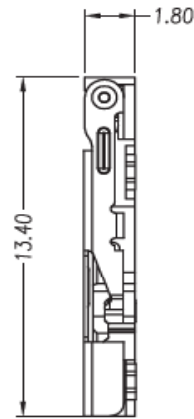
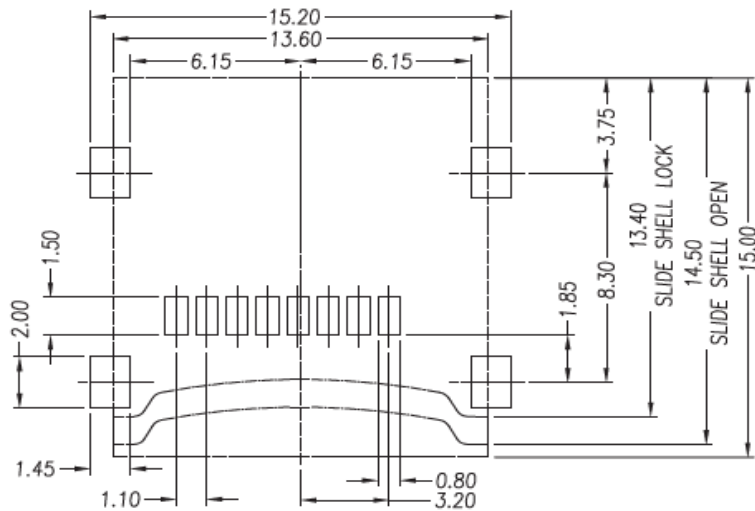
DRW:	Jason	CHKD	Wilson	MATL:	Wilson	TOLERANCE	Mason	DATE	11.09.2019
APPD:	Schumi			FINISH	Jamy		Sheet No.	1 from 3	

EDCON-COMPONENTS

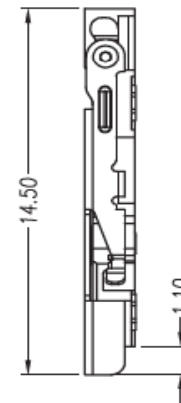


Dimension Information about Housing

PCB Layout



SLIDE SHELL OPEN



SLIDE SHELL LOCK

SD-Card Connector

Part No.: **T58035**

Customer:

DRW:	Jason	CHKD	Wilson	MATL:	Wilson	TOLERANCE	Mason	DATE	11.09.2019
APPD:	Schumi			FINISH	Jamy		Sheet No.	2 from 3	

www.edcon-components.com

email: info@edcon-components.com

EDCON-COMPONENTS



Ordering Informations

Serie	Contacts	Contact Plating	Shell Material	Special Function	Special Function	ROHS	Packing			
T58035	8	G0	SS	N	N	R	TR			

8 = Number of Contacts	G0 = Standard Gold	SS = Stainless Steel	N = No Function	N = No Function	R = ROHS Conform	TR = Tape Reel
					N = NON ROHS	BU = Bulk-Ware

SD-Card Connector

Part No.: **T58035**

Customer:

DRW:	Jason	CHKD	Wilson	MATL:	Wilson	TOLERANCE	Mason	DATE	11.09.2019
APPD:	Schumi			FINISH	Jamy		Sheet No.		3 from 3

www.edcon-components.com

email: info@edcon-components.com