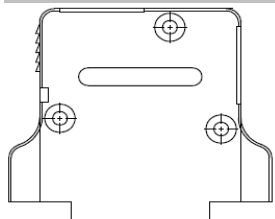


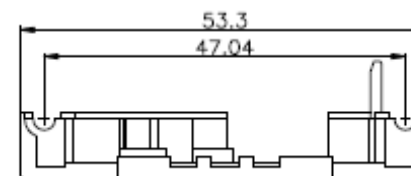
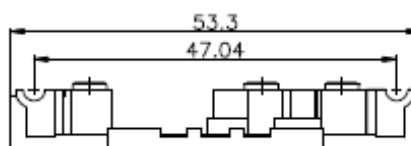
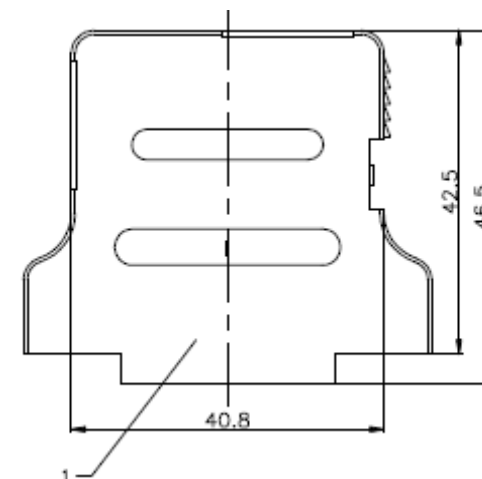
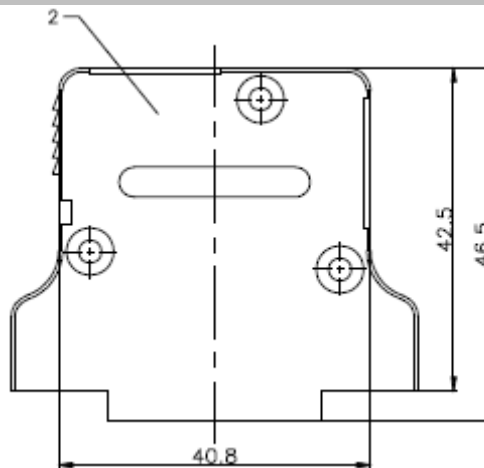
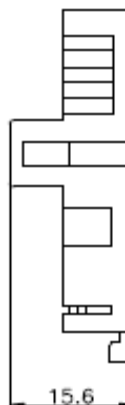
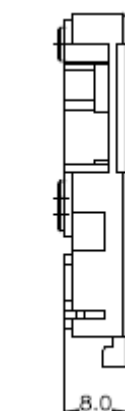
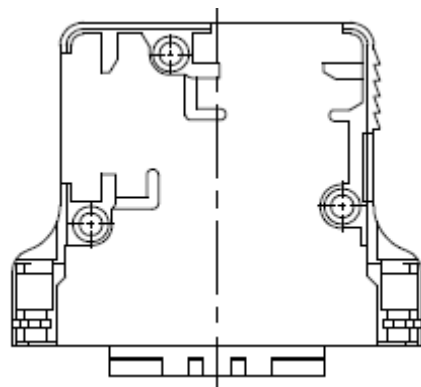
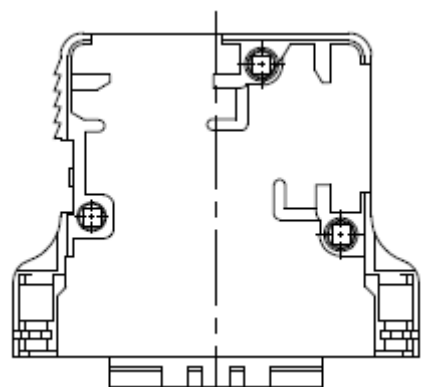
EDCON-COMPONENTS



Description

Material: ABS 1 + 2
 Finished: Nickel plated

Dimensions (mm)



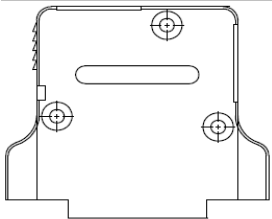
25Pos. Plastic Hood Cable Entry 90 + 180°	
Part No.:	T31064
Customer:	

DRW:	Jason	CHKD	Wilson	MATL:	Wilson	TOLERANCE	Mason	DATE	25.12.2015
APPD:	Schumi			FINISH	Jamy		Sheet No.		1 from 3

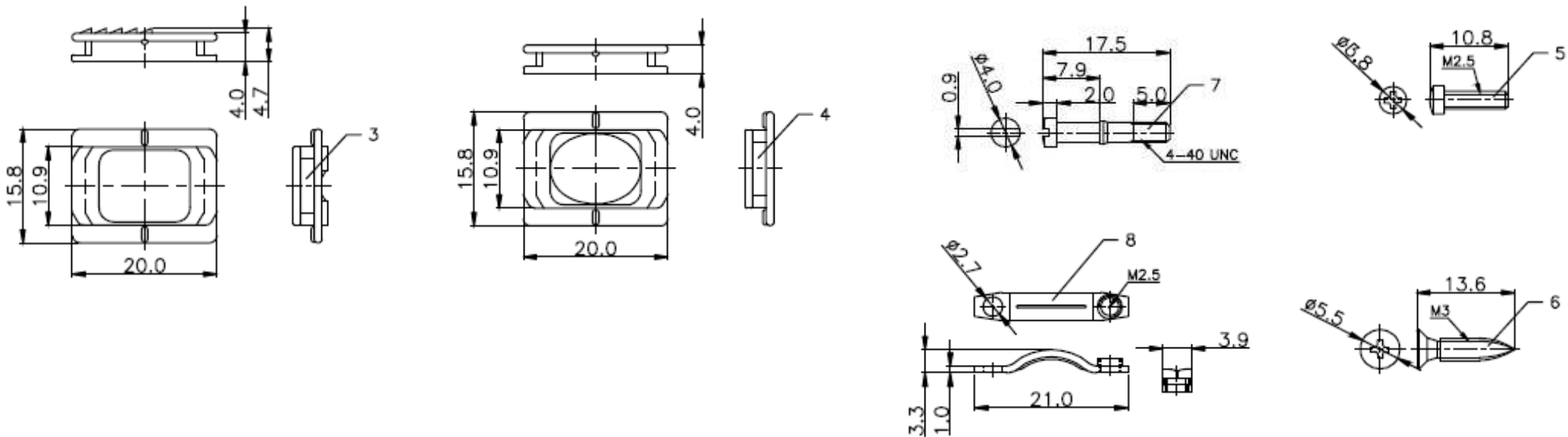
www.edcon-components.com

email: info@edcon-components.com

EDCON-COMPONENTS



Hardware of D-Sub Hood



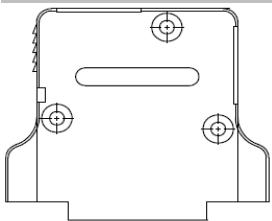
**25Pos. Plastic Hood Cable Entry
90 + 180°**

Part No.: **T31064**

Customer:

DRW:	Jason	CHKD	Wilson	MATL:	Wilson	TOLERANCE	Mason	DATE	25.12.2015
APPD:	Schumi			FINISH	Jamy		Sheet No.	2 from 3	

EDCON-COMPONENTS



Ordering Informations

Serie	Pos.	Cable Entry Diameter	Srew Type	ROHS	Packing					
-------	------	----------------------	-----------	------	---------	--	--	--	--	--

T31064	-	25	X	L	R	1				
---------------	---	-----------	----------	----------	----------	----------	--	--	--	--

25= D-Sub-Type	X= No function	L= Long Screws	R= ROHS Conform	1= Mix Packing		
			N= NON ROHS Conform	IV= Individual Packing		

**25Pos. Plastic Hood Cable Entry
90 + 180°**

Part No.: **T31064**

DRW:	Jason	CHKD	Wilson	MATL:	Wilson	TOLERANCE	Mason	DATE	25.12.2015	Customer:
APPD:	Schumi			FINISH	Jamy		Sheet No.	3 from 3		