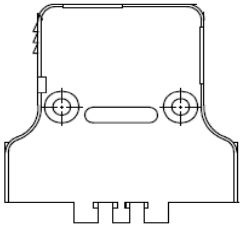


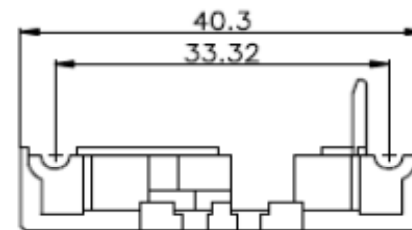
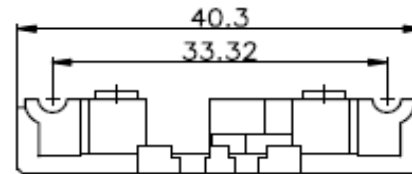
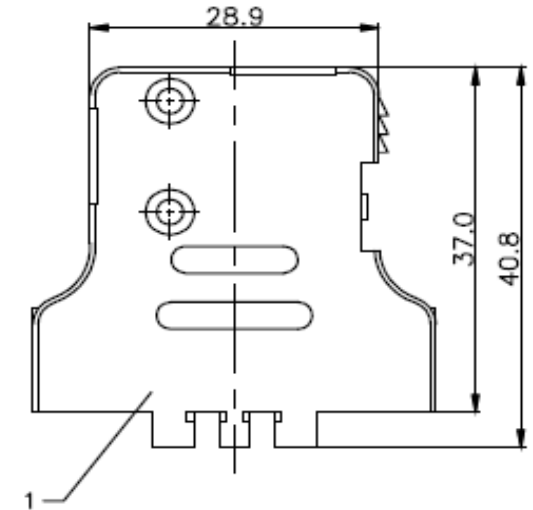
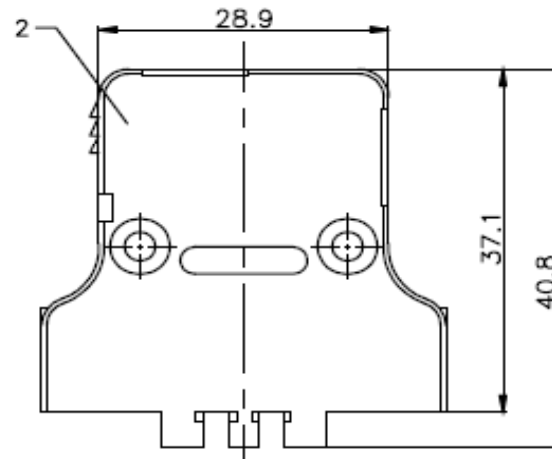
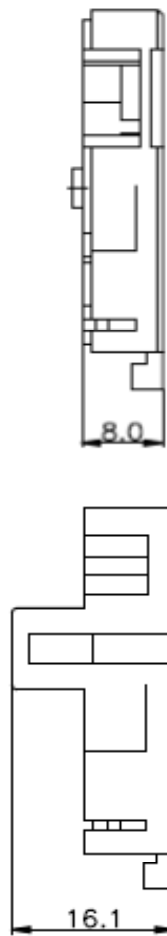
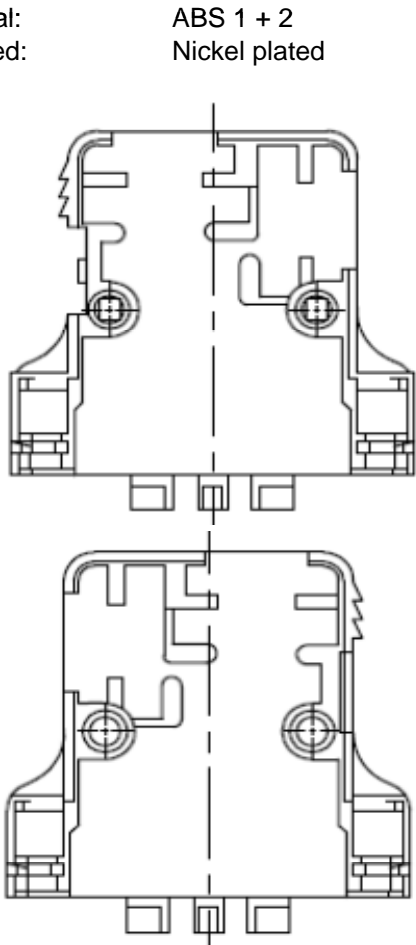
EDCON-COMPONENTS



Description

Material: ABS 1 + 2
 Finished: Nickel plated

Dimensions (mm)



15Pos. Plastic Hood Cable Entry
90 + 180°

Part No.: **T31063**

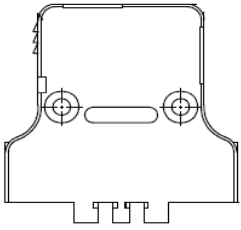
Customer:

DRW:	Jason	CHKD	Wilson	MATL:	Wilson	TOLERANCE	Mason	DATE	14.12.2020
APPD:	Schumi			FINISH	Jamy		Sheet No.		1 from 3

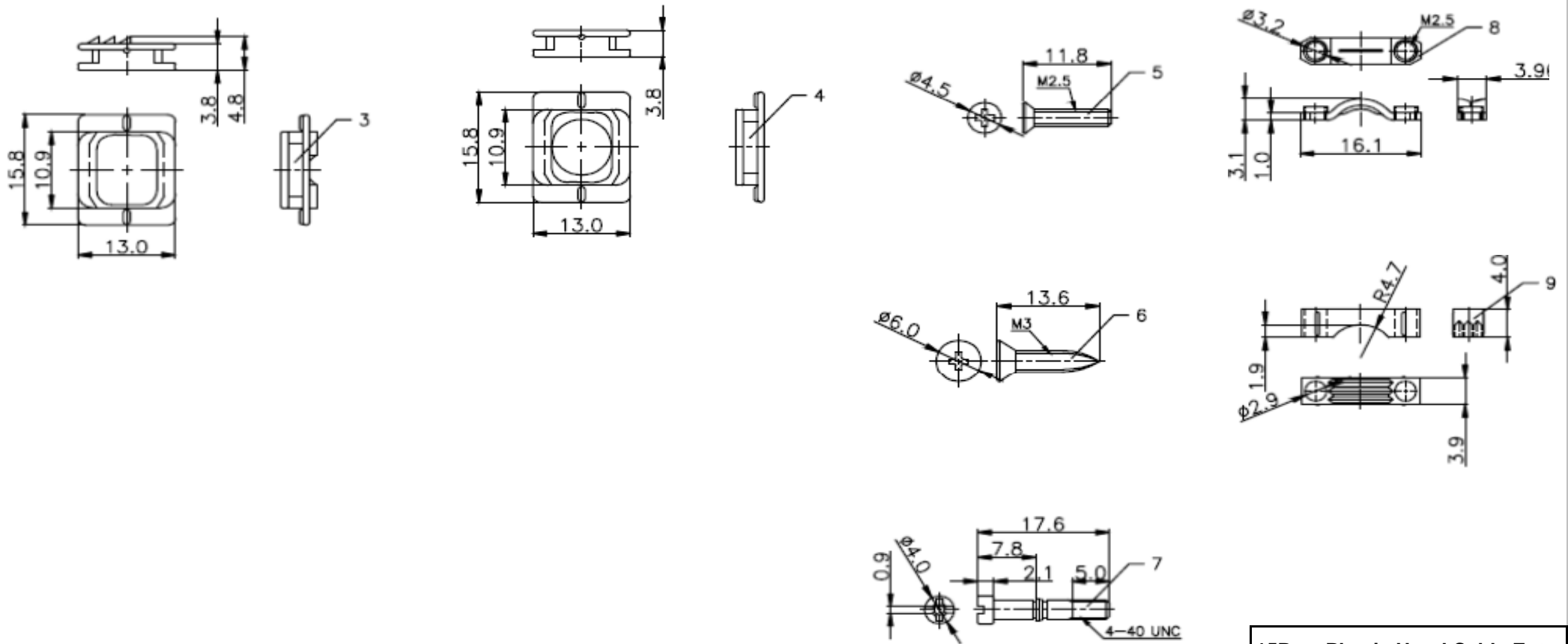
www.edcon-components.com

email: info@edcon-components.com

EDCON-COMPONENTS



Hardware of D-Sub Hood



**15Pos. Plastic Hood Cable Entry
90 + 180°**

Part No.: **T31063**

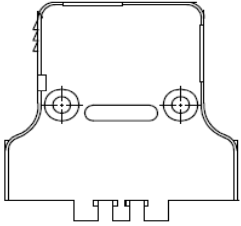
Customer:

DRW:	Jason	CHKD	Wilson	MATL:	Wilson	TOLERANCE	Mason	DATE	14.12.2020
APPD:	Schumi			FINISH	Jamy		Sheet No.	2 from 3	

www.edcon-components.com

email: info@edcon-components.com

EDCON-COMPONENTS



Ordering Informations

Serie	Pos.	Cable Entry Diameter	Srew Type	ROHS	Packing					
T31063	15	X	L	R	1					

15= D-Sub-Type	X= No function	L= Long Screws	R= ROHS Conform N= NON ROHS Conform	1= Mix Packing IV= Individual Packing		

15Pos. Plastic Hood Cable Entry 90 + 180°
Part No.: T31063
Customer:

DRW:	Jason	CHKD	Wilson	MATL:	Wilson	TOLERANCE	Mason	DATE	14.12.2020
APPD:	Schumi			FINISH	Jamy		Sheet No.		3 from 3