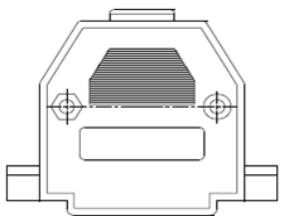


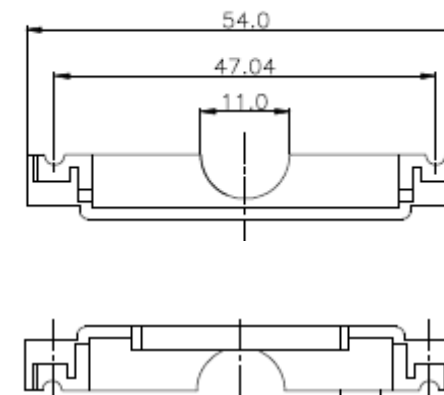
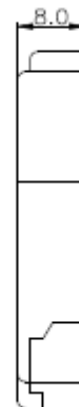
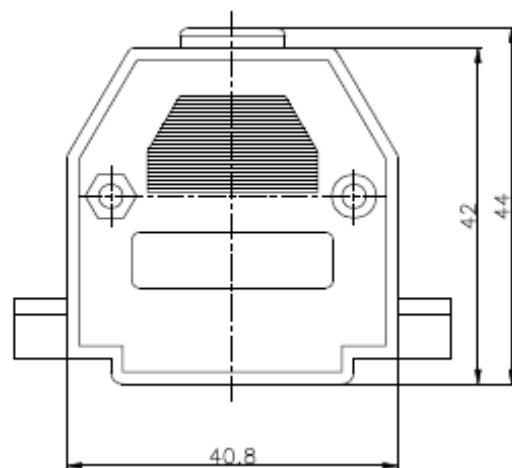
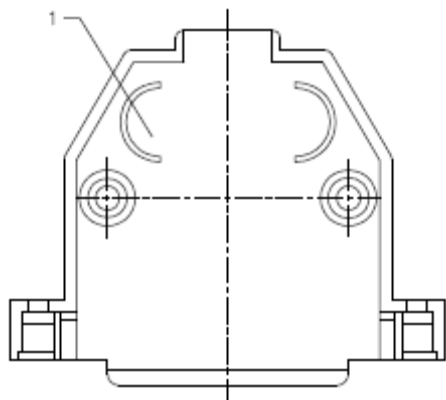
EDCON-COMPONENTS



Description

Material: ABS 1 + 2
 Finished: Chromium plated

Dimensions (mm)



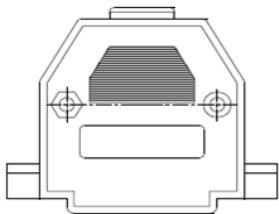
**25Pos. Plastic Hood Cable Entry
 180°**

Part No.: **T31062**

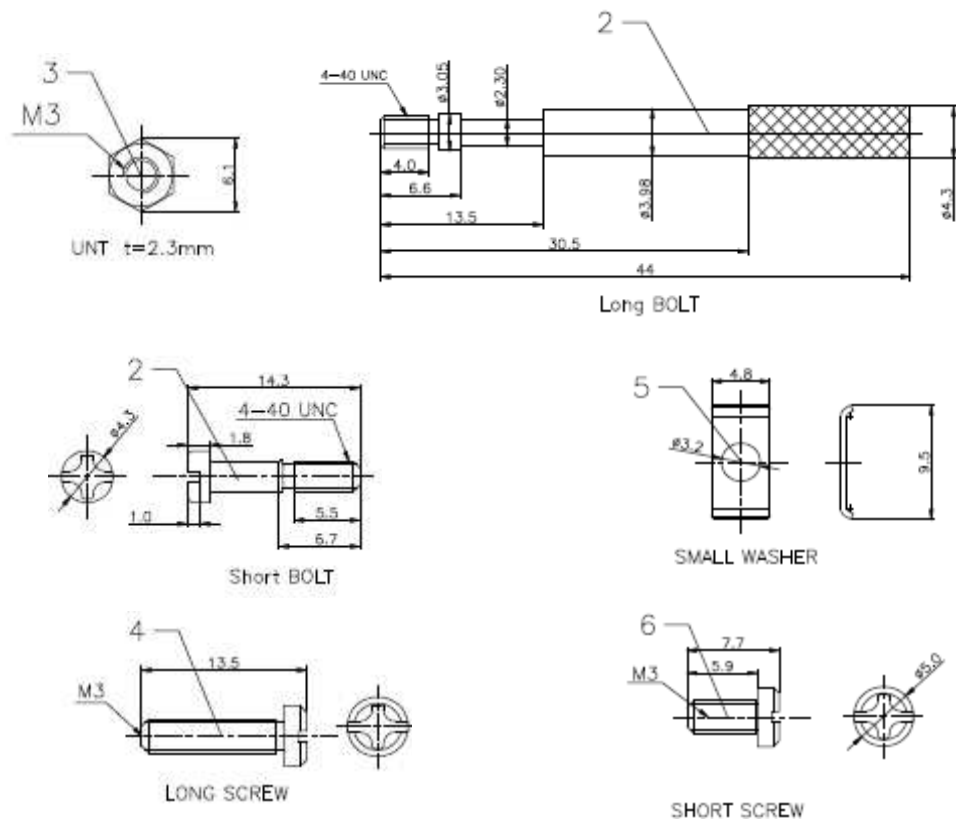
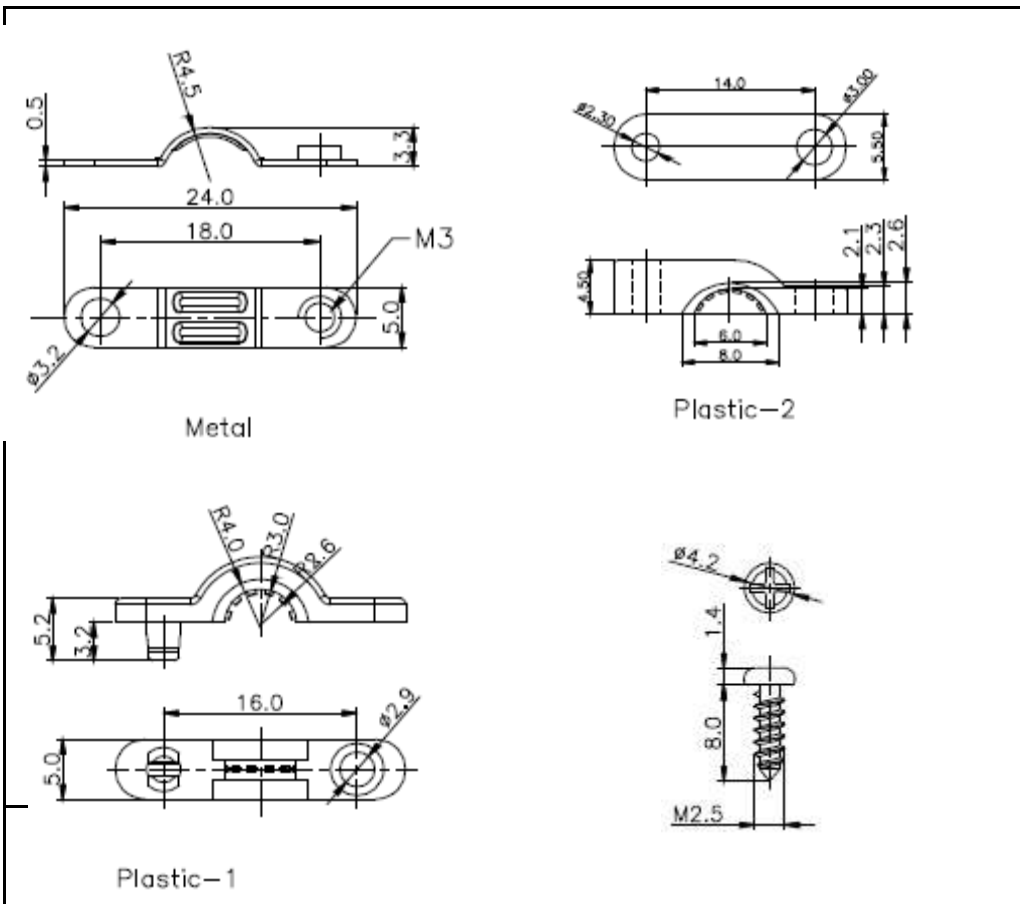
DRW:	Jason	CHKD	Wilson	MATL:	Wilson	TOLERANCE	Mason	DATE	25.12.2015
APPD:	Schumi			FINISH	Jamy		Sheet No.		1 from 3

Customer:

EDCON-COMPONENTS



Hardware of D-Sub Hood



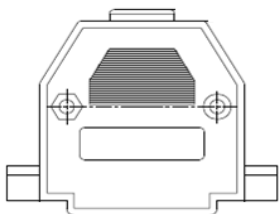
**25Pos. Plastic Hood Cable Entry
180°**

Part No.: **T31062**

Customer:

DRW:	Jason	CHKD	Wilson	MATL:	Wilson	TOLERANCE	Mason	DATE	25.12.2015
APPD:	Schumi			FINISH	Jamy		Sheet No.	2 from 3	

EDCON-COMPONENTS



Ordering Informations

Serie	Pos.	Cable Entry Diameter	Srew Type	ROHS	Packing					
T31062	25	X	L	R	1					

25= D-Sub-Type	X= No function	L= Long Screws	R= ROHS Conform	1= Mix Packing		
			N= NON ROHS Conform	IV= Individual Packing		

25Pos. Plastic Hood Cable Entry 180°	
Part No.:	T31062
Customer:	

DRW:	Jason	CHKD	Wilson	MATL:	Wilson	TOLERANCE	Mason	DATE	25.12.2015
APPD:	Schumi			FINISH	Jamy		Sheet No.		3 from 3