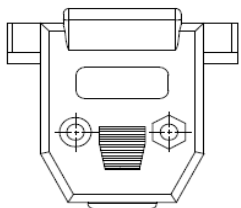


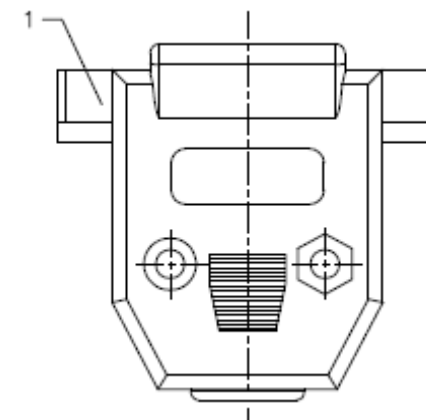
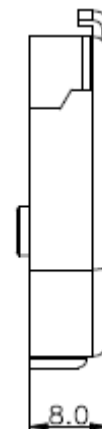
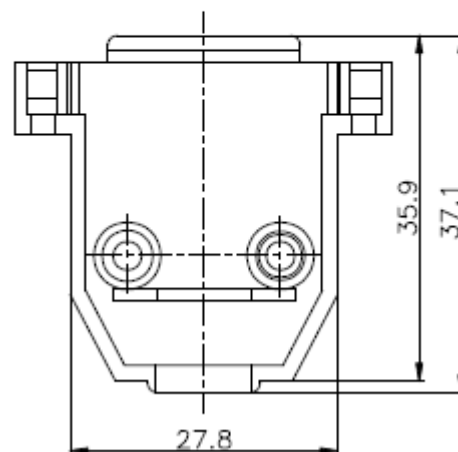
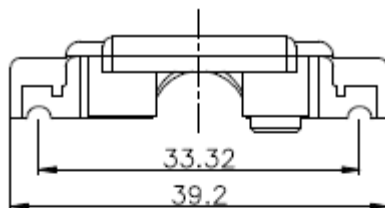
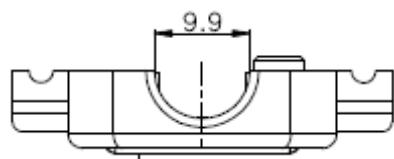
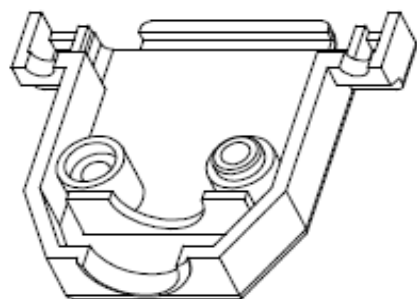
# EDCON-COMPONENTS



## Description

Material: ABS 1 + 2  
 Finished: Chromium plated

## Dimensions (mm)



**15Pos. Plastic Hood Cable Entry  
 180°**

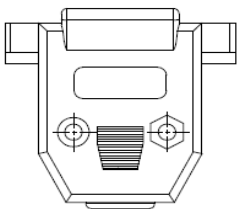
Part No.: **T31061**

DRW:	Jason	CHKD	Wilson	MATL:	Wilson	TOLERANCE	Mason	DATE	25.12.2015
APPD:	Schumi			FINISH	Jamy		Sheet No.	1 from 3	Customer:

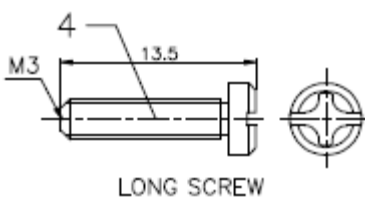
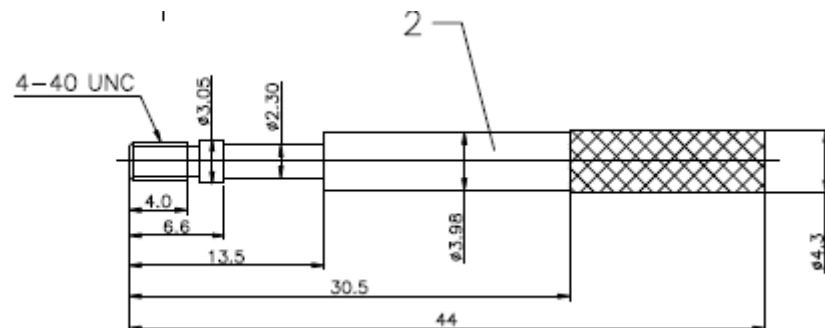
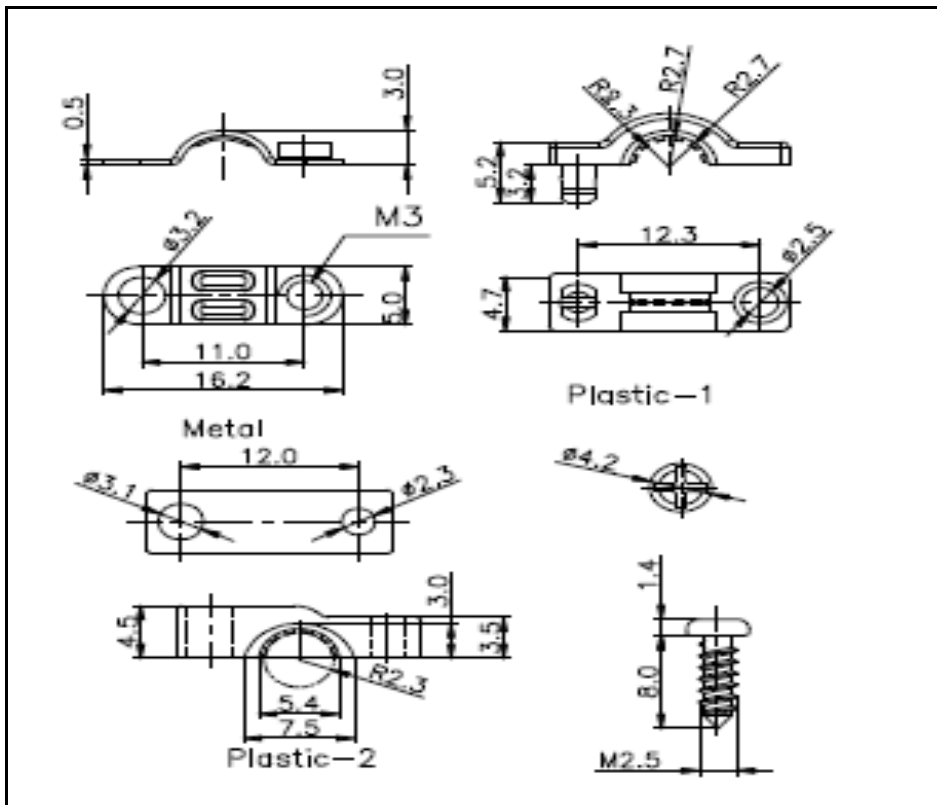
[www.edcon-components.com](http://www.edcon-components.com)

email: [info@edcon-components.com](mailto:info@edcon-components.com)

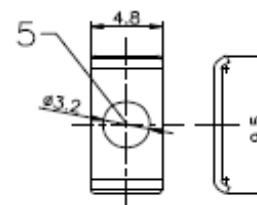
# EDCON-COMPONENTS



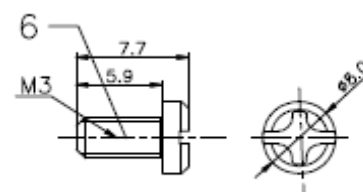
## Hardware of D-Sub Hood



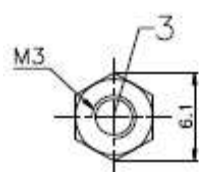
LONG SCREW



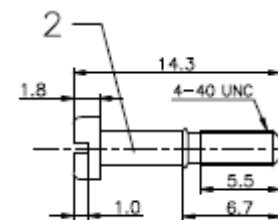
SMALL WASHER



SHORT SCREW



UNT t=2.3mm



Short BOLT

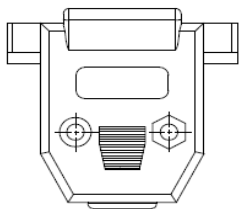
**15Pos. Plastic Hood Cable Entry  
180°**

Part No.: **T31061**

Customer:

DRW:	Jason	CHKD	Wilson	MATL:	Wilson	TOLERANCE	Mason	DATE	25.12.2015
APPD:	Schumi			FINISH	Jamy		Sheet No.	2 from 3	

# EDCON-COMPONENTS



## Ordering Informations

Serie	Pos.	Cable Entry Diameter	Srew Type	ROHS	Packing					
-------	------	----------------------	-----------	------	---------	--	--	--	--	--

<b>T31061</b>	-	<b>15</b>	<b>X</b>	<b>L</b>	<b>R</b>	<b>1</b>				
---------------	---	-----------	----------	----------	----------	----------	--	--	--	--

<b>15= D-Sub-Type</b>	<b>X= No function</b>	<b>L= Long Screws</b>	<b>R= ROHS Conform</b>	<b>1= Mix Packing</b>		
			<b>N= NON ROHS Conform</b>	<b>IV= Individual Packing</b>		

**15Pos. Plastic Hood Cable Entry  
180°**

Part No.: **T31061**

DRW:	Jason	CHKD	Wilson	MATL:	Wilson	TOLERANCE	Mason	DATE	25.12.2015	Customer:
APPD:	Schumi			FINISH	Jamy		Sheet No.	3 from 3		