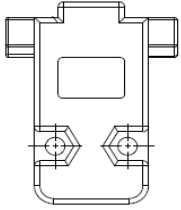


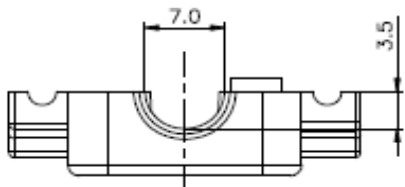
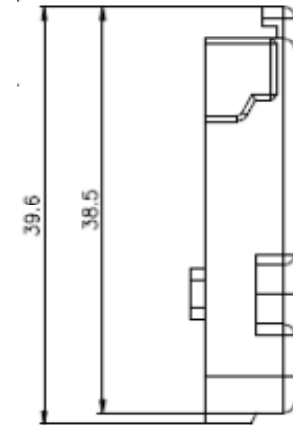
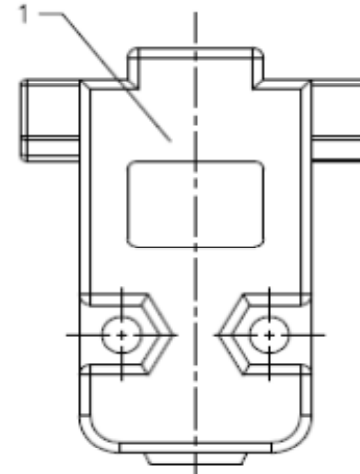
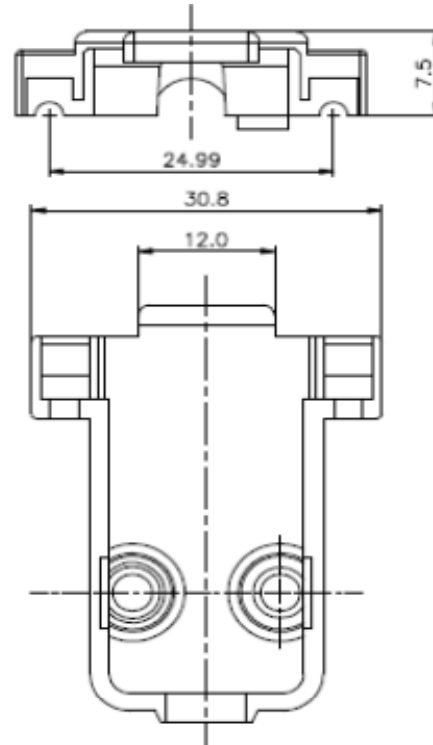
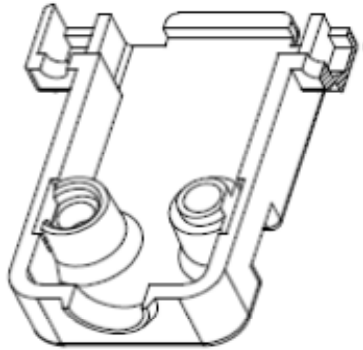
EDCON-COMPONENTS



Description

Dimensions (mm)

Material: ABS 1 + 2
 Finished: Chromium plated



**09Pos. Plastic Hood Cable Entry
 180°**

Part No.: **T31060**

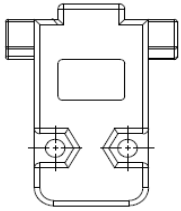
Customer:

DRW:	Jason	CHKD	Wilson	MATL:	Wilson	TOLERANCE	Mason	DATE	25.12.2015
APPD:	Schumi			FINISH	Jamy		Sheet No.		1 from 3

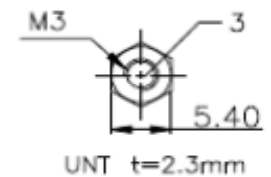
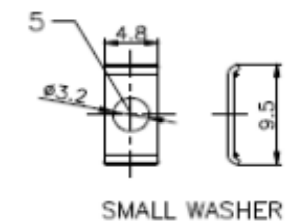
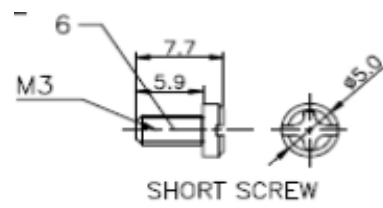
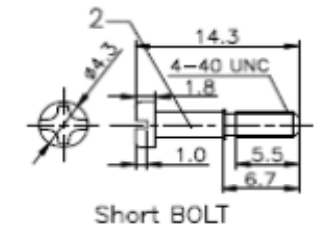
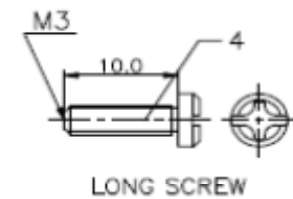
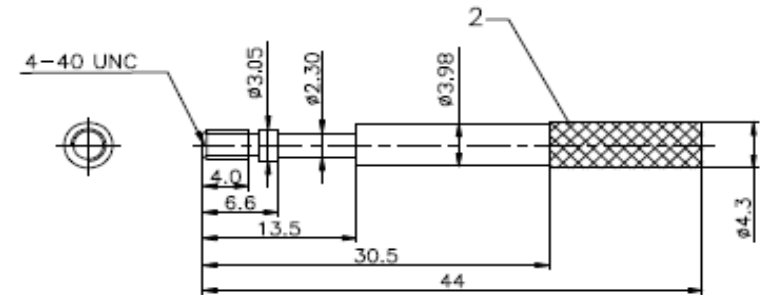
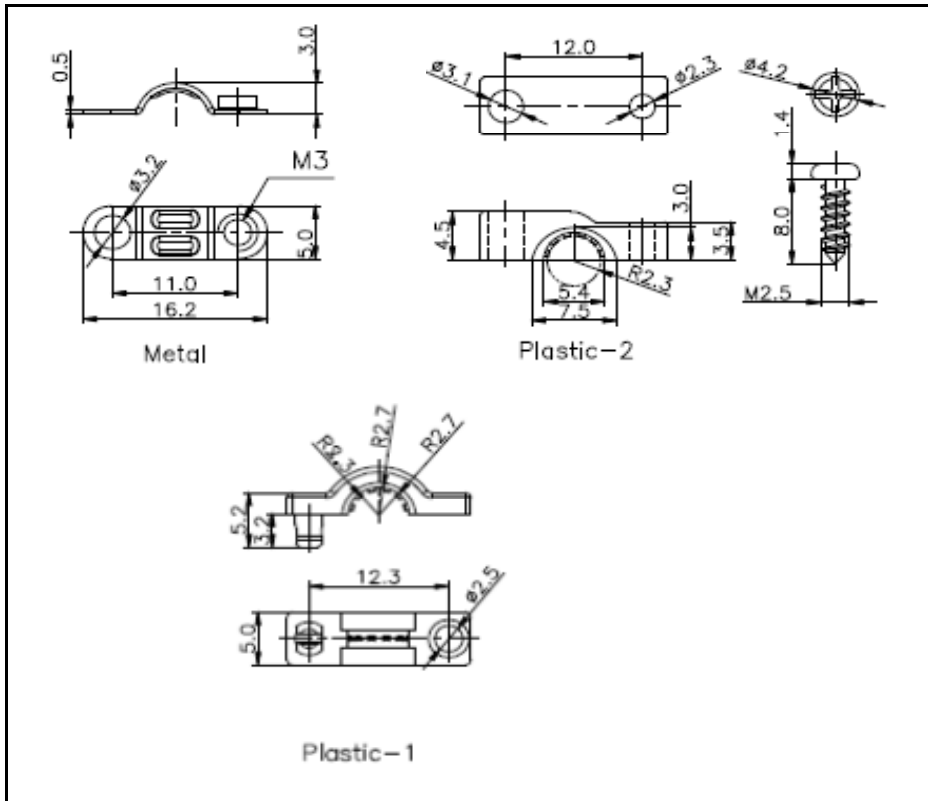
www.edcon-components.com

email: info@edcon-components.com

EDCON-COMPONENTS



Hardware of D-Sub Hood



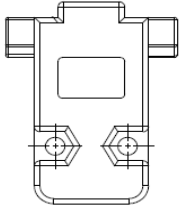
09Pos. Plastic Hood Cable Entry 180°	
Part No.:	T31060
Customer:	

DRW:	Jason	CHKD	Wilson	MATL:	Wilson	TOLERANCE	Mason	DATE	25.12.2015
APPD:	Schumi			FINISH	Jamy		Sheet No.		2 from 3

www.edcon-components.com

email: info@edcon-components.com

EDCON-COMPONENTS



Ordering Informations

Serie	Pos.	Colour of Cover	Srew Type	ROHS	Packing					
T31060	09	X	S	R	1					

09= D-Sub-Type	X= No function	L= Long Screws	R= ROHS Conform	1= Mix Packing
GY= Gray	S= Standard Screw		N= NON ROHS Conform	
BK= Black				
CR= Chromatiert				

09Pos. Plastic Hood Cable Entry 180°
Part No.: T31060
Customer:

DRW:	Jason	CHKD	Wilson	MATL:	Wilson	TOLERANCE	Mason	DATE	25.12.2015
APPD:	Schumi			FINISH	Jamy		Sheet No.		3 from 3