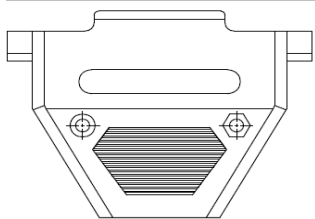


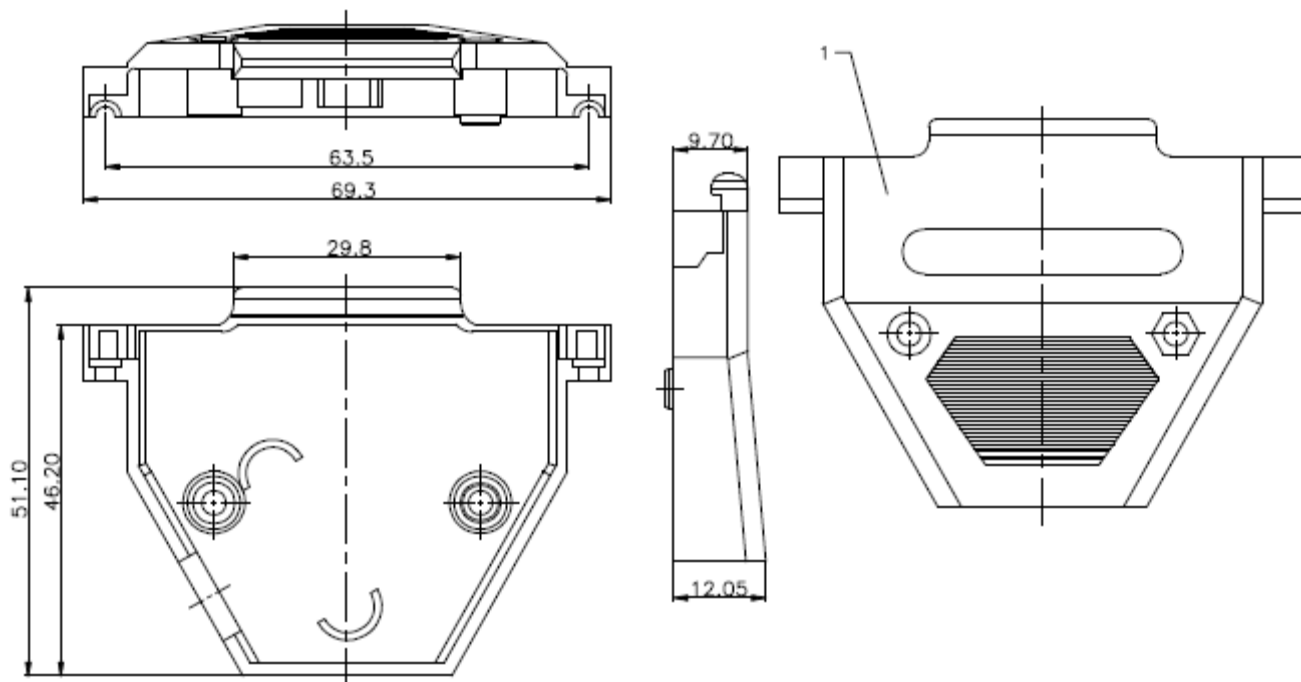
EDCON-COMPONENTS



Description

Dimensions (mm)

Material: ABS 1 + 2
 Finished: Nickel plated



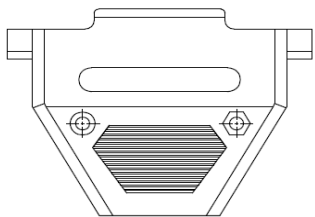
37Pos. Plastic Hood Cable Entry 45°	
Part No.:	T31059
Customer:	

DRW:	Jason	CHKD	Wilson	MATL:	Wilson	TOLERANCE	Mason	DATE	25.12.2015
APPD:	Schumi			FINISH	Jamy		Sheet No.	1 from 3	

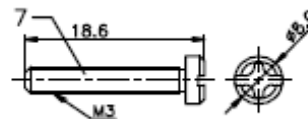
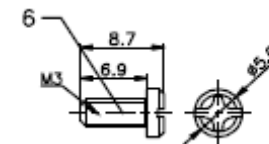
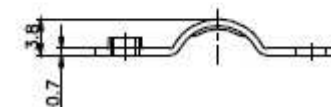
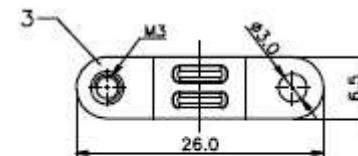
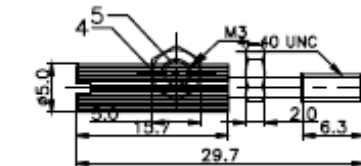
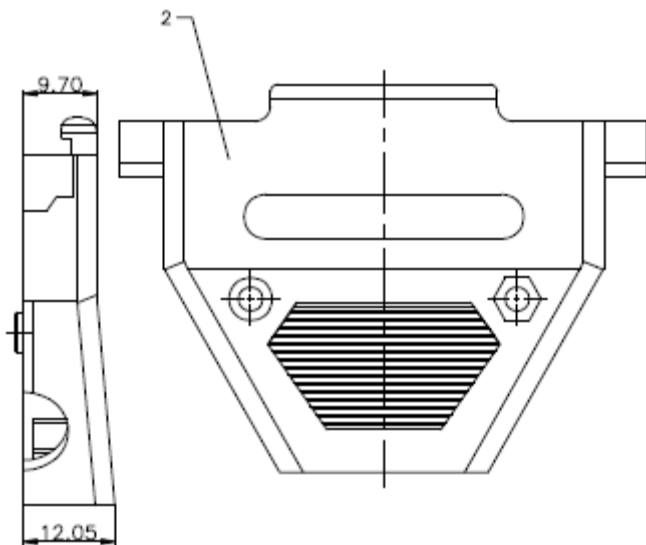
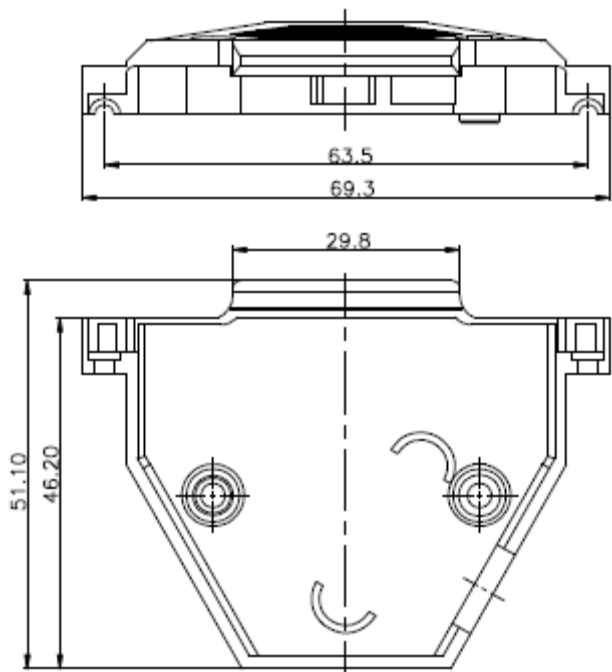
www.edcon-components.com

email: info@edcon-components.com

EDCON-COMPONENTS



Hardware of D-Sub Hood



37Pos. Plastic Hood Cable Entry
45°

Part No.: **T31059**

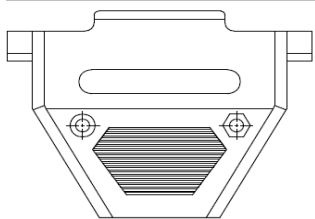
Customer:

DRW:	Jason	CHKD	Wilson	MATL:	Wilson	TOLERANCE	Mason	DATE	25.12.2015
APPD:	Schumi			FINISH	Jamy		Sheet No.	2 from 3	

www.edcon-components.com

email: info@edcon-components.com

EDCON-COMPONENTS



Ordering Informations

Serie	Pos.	Cable Entry Diameter	Srew Type	ROHS	Packing					
T31059	37	X	L	R	1					

37= D-Sub-Type	X= No function	L= Long Screws	R= ROHS Conform	1= Mix Packing		
			N= NON ROHS Conform	IV= Individual Packing		

37Pos. Plastic Hood Cable Entry 45°
 Part No.: **T31059**

DRW:	Jason	CHKD	Wilson	MATL:	Wilson	TOLERANCE	Mason	DATE	25.12.2015	Customer:
APPD:	Schumi			FINISH	Jamy		Sheet No.	3 from 3		