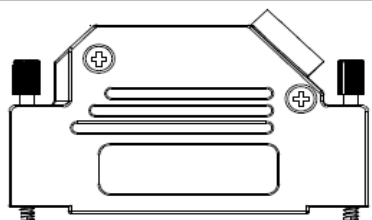


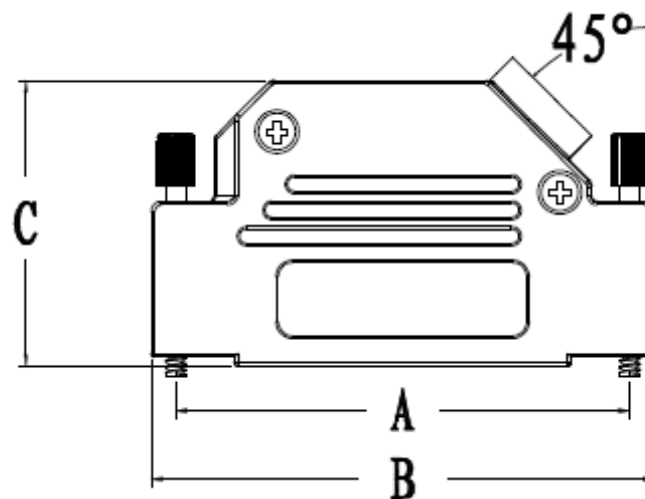
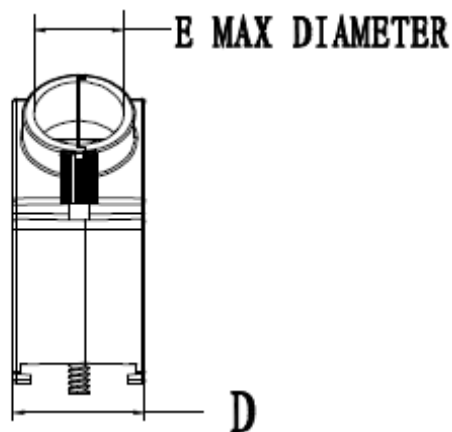
# EDCON-COMPONENTS



## Description

## Dimensions (mm)

Material: Zinc Alloy  
 Finished: Chromate plated  
 Color: Silver white / nickel



Dimensions (mm)

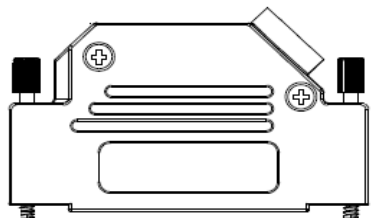
Size	A (±0,3)	B (±0,3)	C (±0,3)	D (±0,3)	E (±0,3)
9	25,00	31,10	32,17	14,70	9,00
15	33,00	39,50	38,50	14,80	9,70
25	47,00	53,30	38,75	15,60	10,00
37	61,00	70,40	38,50	16,00	12,00
50	63,00	67,59	38,47	17,70	16,00

09 ~ 50Pos. Full Metal Hood  
 Cable Entry 45°

Part No.: **T31056**

DRW:	Jason	CHKD	Wilson	MATL:	Wilson	TOLERANCE	Mason	DATE	25.12.2015
APPD:	Schumi			FINISH	Jamy		Sheet No.	1 from 2	Customer:

# EDCON-COMPONENTS



## Ordering Informations

Serie	Pos.	Cable Entry Diameter	Srew Type	ROHS	Packing					
-------	------	----------------------	-----------	------	---------	--	--	--	--	--

<b>T31056</b>	-	<b>09</b>	<b>A</b>	<b>L</b>	<b>R</b>	<b>1</b>				
---------------	---	-----------	----------	----------	----------	----------	--	--	--	--

<b>09=</b> D-Sub-Type	<b>E=</b> 9,0mm	<b>L=</b> Long Screws	<b>R=</b> ROHS Conform	<b>1=</b> Mix Packing
<b>15=</b> D-Sub-Type	<b>B=</b> 10mm		<b>N=</b> NON ROHS Conform	
<b>25=</b> D-Sub-Type	<b>C=</b> 12,0mm			
<b>37=</b> D-Sub-Type	<b>D=</b> 14,0mm			
<b>50=</b> D-Sub-Type	<b>E=</b> 16,0mm			

<b>09 ~ 50Pos. Full Metal Hood Cable Entry 45°</b>	
Part No.:	<b>T31056</b>

DRW:	Jason	CHKD	Wilson	MATL:	Wilson	TOLERANCE	Mason	DATE	25.12.2015	Customer:
APPD:	Schumi			FINISH	Jamy		Sheet No.	2 from 2		

[www.edcon-components.com](http://www.edcon-components.com)

email: [info@edcon-components.com](mailto:info@edcon-components.com)