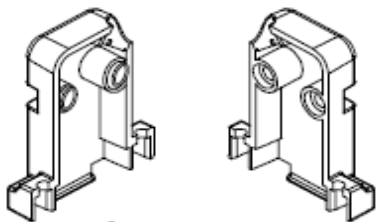


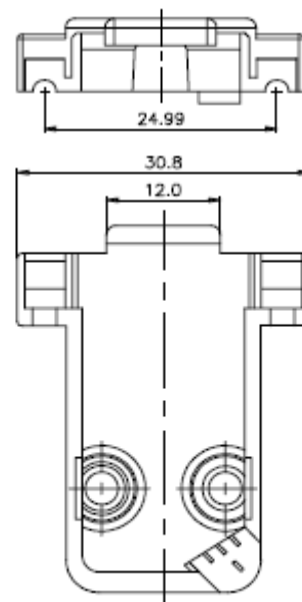
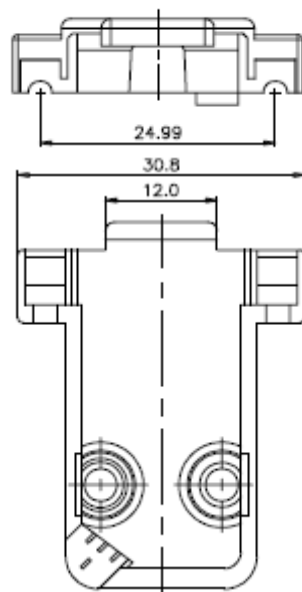
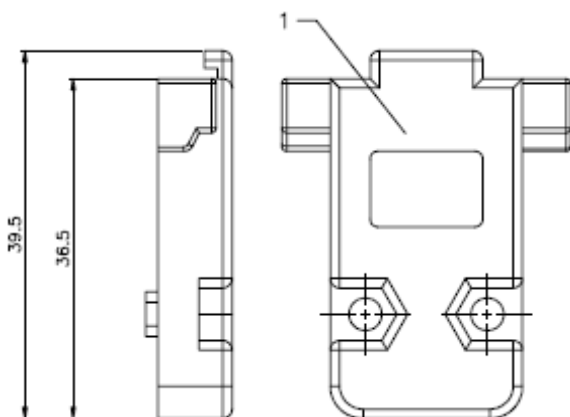
EDCON-COMPONENTS



Description

Material: Zinc Alloy
 Finished: Chromate plated
 Color: Silver white / nickel

Dimensions (mm)



**09Pos. Full Metal Hood Cable
Entry 45°**

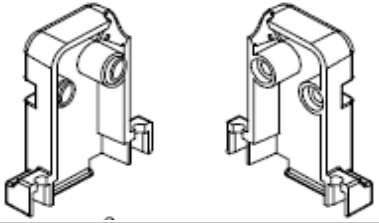
Part No.: **T31055**

DRW:	Jason	CHKD	Wilson	MATL:	Wilson	TOLERANCE	Mason	DATE	25.12.2015
APPD:	Schumi			FINISH	Jamy		Sheet No.	1 from 3	Customer:

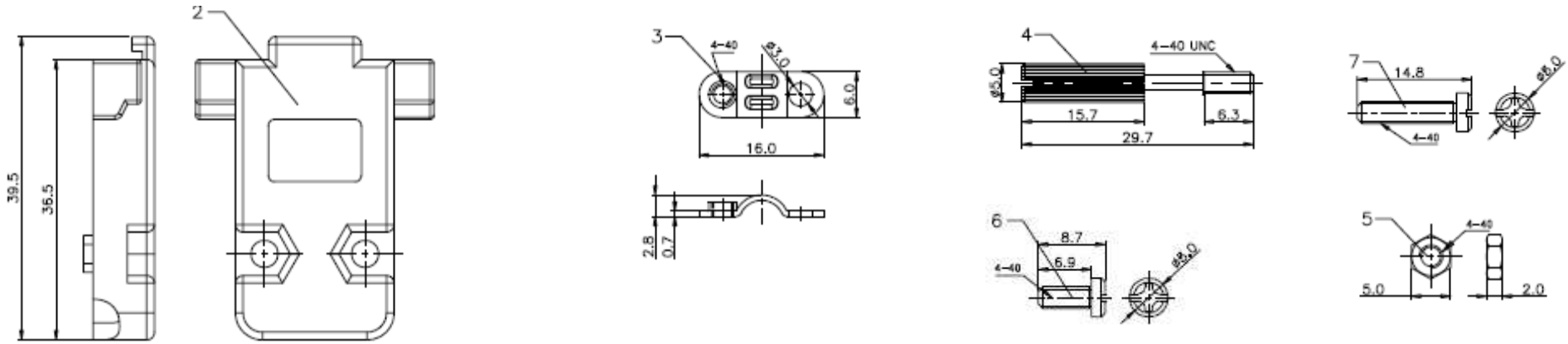
www.edcon-components.com

email: info@edcon-components.com

EDCON-COMPONENTS



Hardware of D-Sub Hood



**09Pos. Full Metal Hood Cable
Entry 45°**

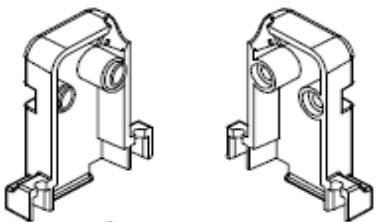
Part No.: **T31055**

DRW:	Jason	CHKD	Wilson	MATL:	Wilson	TOLERANCE	Mason	DATE	25.12.2015
APPD:	Schumi			FINISH	Jamy		Sheet No.	2 from 3	Customer:

www.edcon-components.com

email: info@edcon-components.com

EDCON-COMPONENTS



Ordering Informations

Serie	Pos.	Cable Entry Diameter	Srew Type	ROHS	Packing					
-------	------	----------------------	-----------	------	---------	--	--	--	--	--

T31055	-	09	A	L	R	1				
---------------	---	-----------	----------	----------	----------	----------	--	--	--	--

09= D-Sub-Type	A= 9,5mm	L= Long Screws	R= ROHS Conform	1= Mix Packing
	B= 7,0mm		N= NON ROHS Conform	

09Pos. Full Metal Hood Cable Entry 45°
 Part No.: **T31055**

DRW:	Jason	CHKD	Wilson	MATL:	Wilson	TOLERANCE	Mason	DATE	25.12.2015	Customer:
APPD:	Schumi			FINISH	Jamy		Sheet No.	3 from 3		