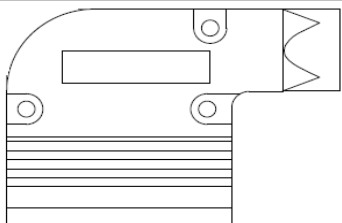


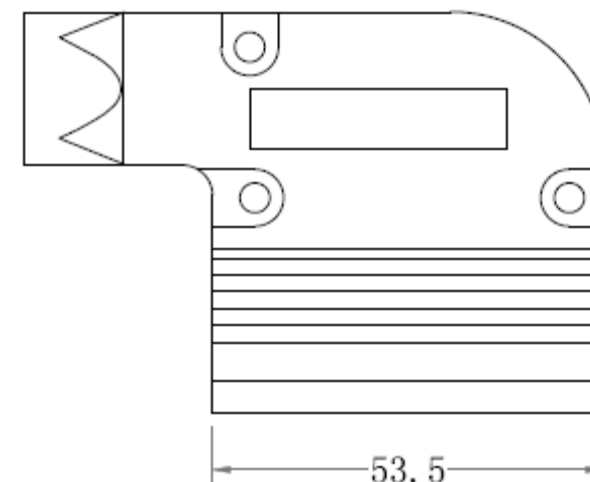
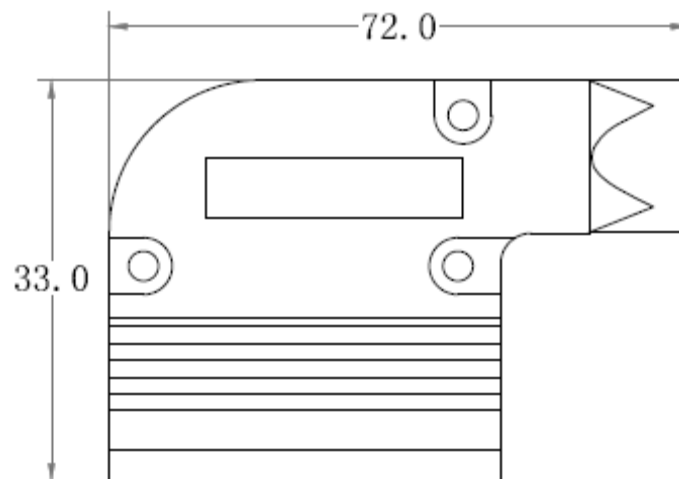
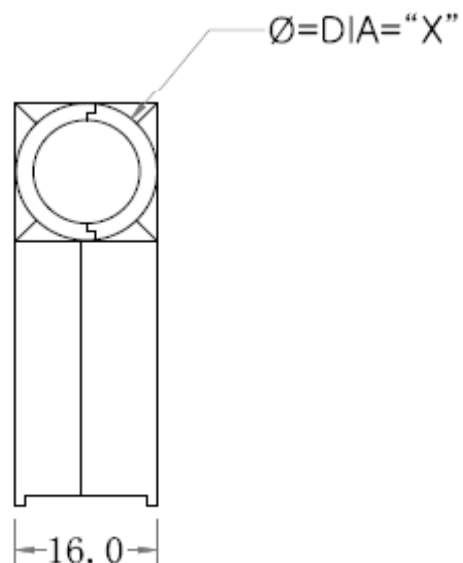
# EDCON-COMPONENTS



## Description

Material: Zinc Alloy  
 Finished: Chromate plated

## Dimensions (mm)

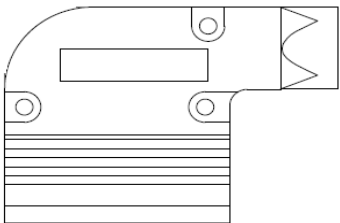


**25Pos. Full Metal Hood Cable  
 Entry 90°**

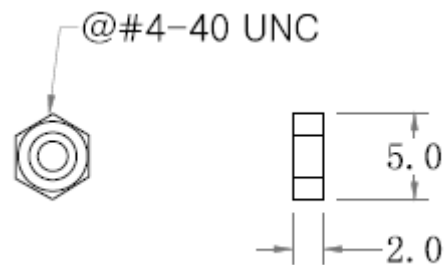
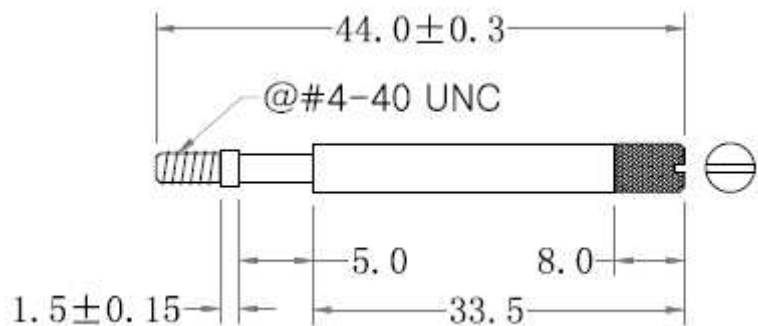
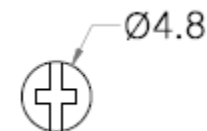
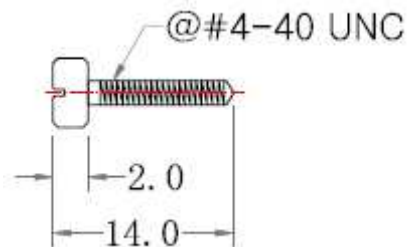
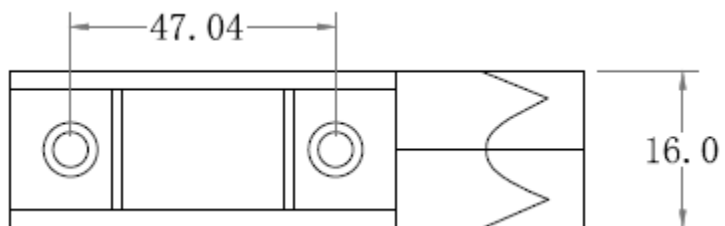
Part No.: **T31054**

|       |        |      |        |        |        |           |           |          |            |
|-------|--------|------|--------|--------|--------|-----------|-----------|----------|------------|
| DRW:  | Jason  | CHKD | Wilson | MATL:  | Wilson | TOLERANCE | Mason     | DATE     | 25.12.2015 |
| APPD: | Schumi |      |        | FINISH | Jamy   |           | Sheet No. | 1 from 3 | Customer:  |

# EDCON-COMPONENTS



## Hardware of D-Sub Hood

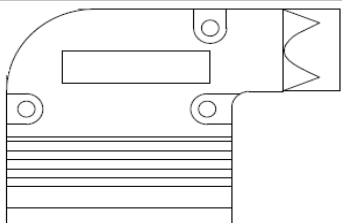


**25Pos. Full Metal Hood Cable  
Entry 90°**

Part No.: **T31054**

|       |        |      |        |        |        |           |           |          |            |           |
|-------|--------|------|--------|--------|--------|-----------|-----------|----------|------------|-----------|
| DRW:  | Jason  | CHKD | Wilson | MATL:  | Wilson | TOLERANCE | Mason     | DATE     | 25.12.2015 | Customer: |
| APPD: | Schumi |      |        | FINISH | Jamy   |           | Sheet No. | 2 from 3 |            |           |

# EDCON-COMPONENTS



## Ordering Informations

| Serie | Pos. | Cable Entry Diameter | Srew Type | ROHS | Packing |  |  |  |  |  |
|-------|------|----------------------|-----------|------|---------|--|--|--|--|--|
|-------|------|----------------------|-----------|------|---------|--|--|--|--|--|

|               |   |           |          |          |          |          |  |  |  |  |
|---------------|---|-----------|----------|----------|----------|----------|--|--|--|--|
| <b>T31054</b> | - | <b>25</b> | <b>B</b> | <b>L</b> | <b>R</b> | <b>1</b> |  |  |  |  |
|---------------|---|-----------|----------|----------|----------|----------|--|--|--|--|

|                       |                  |                       |                               |                       |
|-----------------------|------------------|-----------------------|-------------------------------|-----------------------|
| <b>25= D-Sub-Type</b> | <b>B= 6,0mm</b>  | <b>L= Long Screws</b> | <b>R= ROHS Conform</b>        | <b>1= Mix Packing</b> |
|                       | <b>E= 7,5mm</b>  |                       | <b>N= NON ROHS Conform</b>    |                       |
|                       | <b>H= 9,0mm</b>  |                       | <b>IV= Individual Packing</b> |                       |
|                       | <b>L= 11,0mm</b> |                       |                               |                       |
|                       |                  |                       |                               |                       |
|                       |                  |                       |                               |                       |
|                       |                  |                       |                               |                       |
|                       |                  |                       |                               |                       |

**25Pos. Full Metal Hood Cable Entry 90°**

Part No.: **T31054**

|       |        |      |        |        |        |           |           |          |            |           |
|-------|--------|------|--------|--------|--------|-----------|-----------|----------|------------|-----------|
| DRW:  | Jason  | CHKD | Wilson | MATL:  | Wilson | TOLERANCE | Mason     | DATE     | 25.12.2015 | Customer: |
| APPD: | Schumi |      |        | FINISH | Jamy   |           | Sheet No. | 3 from 3 |            |           |