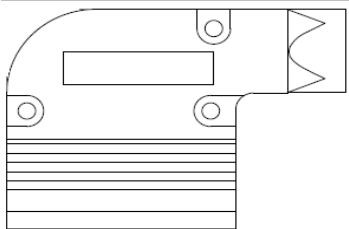


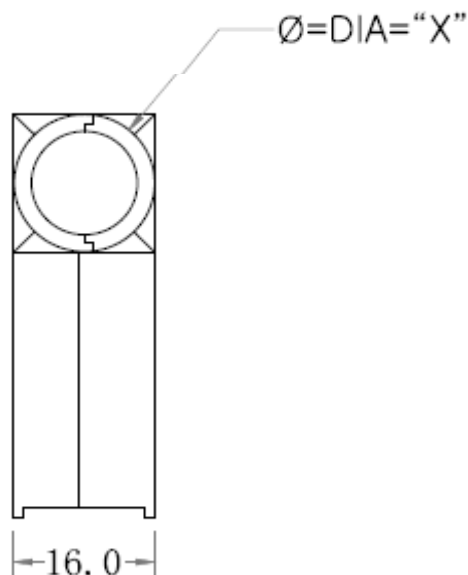
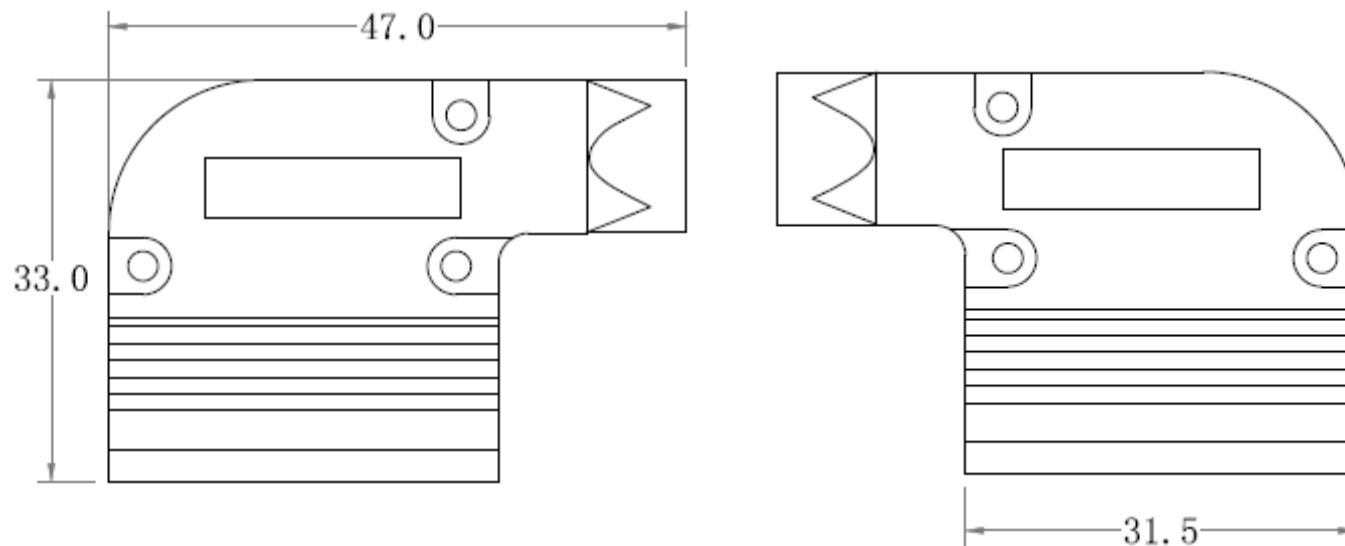
EDCON-COMPONENTS



Description

Material: Zinc Alloy
 Finished: Chromate plated

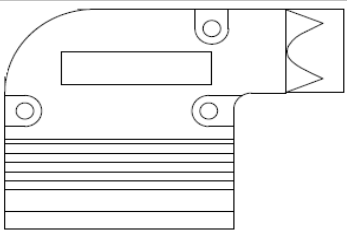
Dimensions (mm)



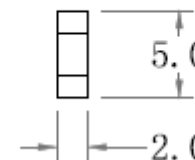
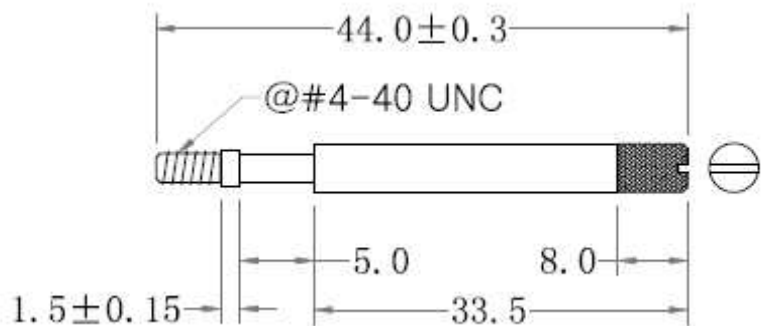
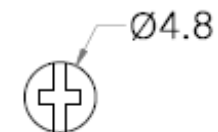
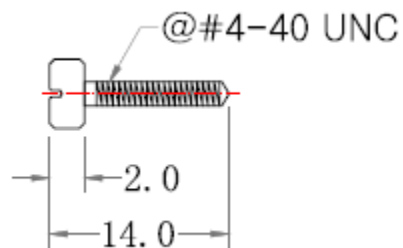
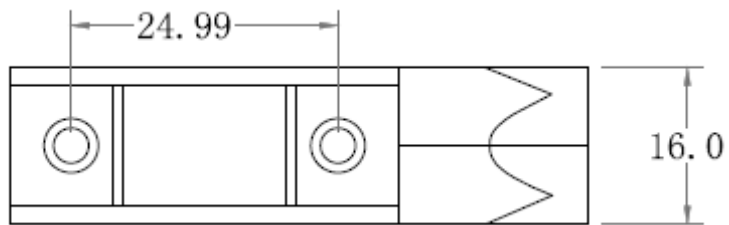
09Pos. Full Metal Hood Cable Entry 90°	
Part No.:	T31053
Customer:	

DRW:	Jason	CHKD	Wilson	MATL:	Wilson	TOLERANCE	Mason	DATE	25.12.2015
APPD:	Schumi			FINISH	Jamy		Sheet No.	1 from 3	

EDCON-COMPONENTS



Hardware of D-Sub Hood



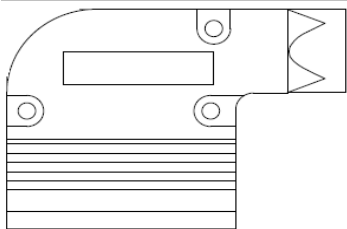
**09Pos. Full Metal Hood Cable
Entry 90°**

Part No.: **T31053**

Customer:

DRW:	Jason	CHKD	Wilson	MATL:	Wilson	TOLERANCE	Mason	DATE	25.12.2015
APPD:	Schumi			FINISH	Jamy		Sheet No.	2 from 3	

EDCON-COMPONENTS



Ordering Informations

Serie	Pos.	Cable Entry Diameter	Srew Type	ROHS	Packing					
-------	------	----------------------	-----------	------	---------	--	--	--	--	--

T31053	-	09	B	L	R	1				
---------------	---	-----------	----------	----------	----------	----------	--	--	--	--

09= D-Sub-Type	B= 6,0mm	L= Long Screws	R= ROHS Conform	1= Mix Packing
	E= 7,5mm		N= NON ROHS Conform	
	H= 9,0mm		IV= Individual Packing	
	L= 11,0mm			

09Pos. Full Metal Hood Cable Entry 90°
Part No.: **T31053**

DRW:	Jason	CHKD	Wilson	MATL:	Wilson	TOLERANCE	Mason	DATE	25.12.2015	Customer:
APPD:	Schumi			FINISH	Jamy		Sheet No.	3 from 3		