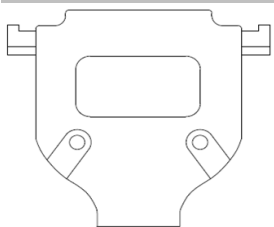


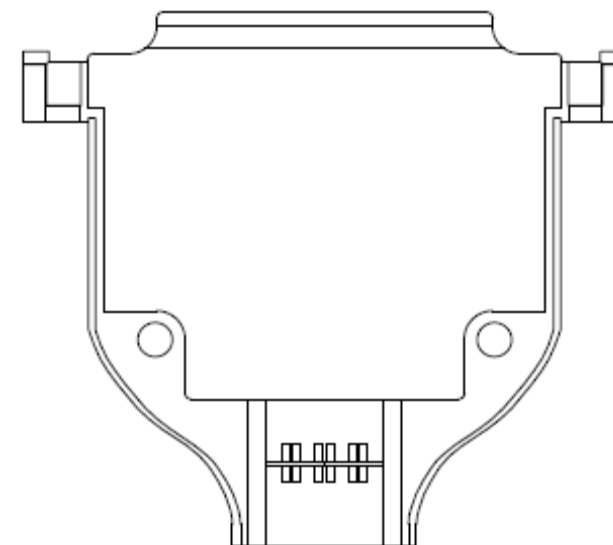
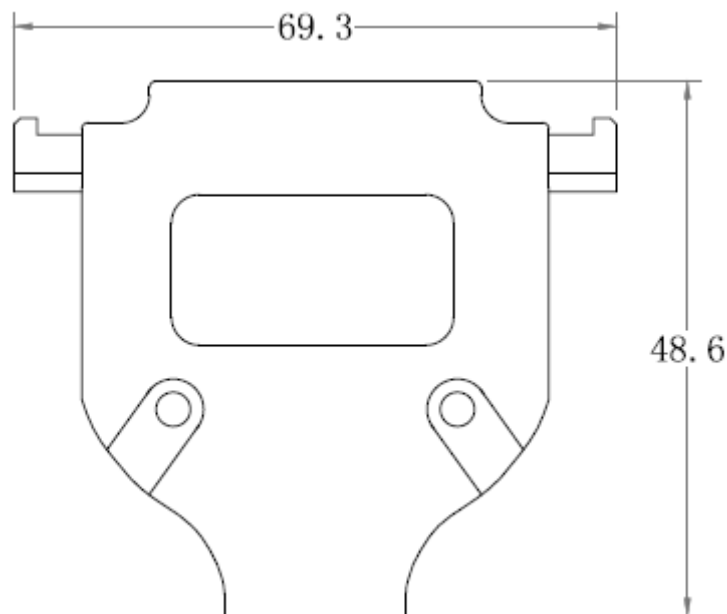
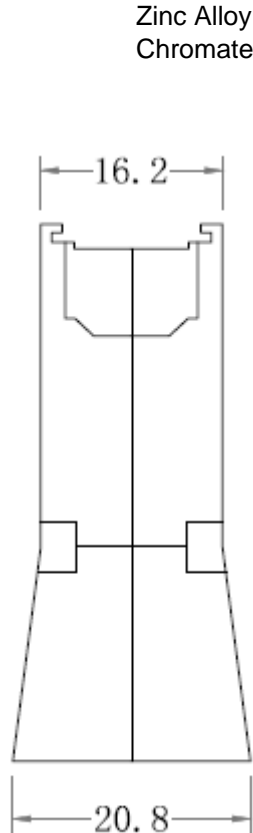
EDCON-COMPONENTS



Description

Material: Zinc Alloy
 Finished: Chromate plated

Dimensions (mm)



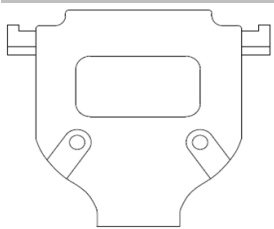
**37Pos. Full Metal Hood Cable
 Entry 180° U-Type**

T31052

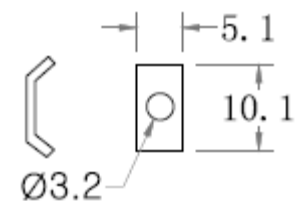
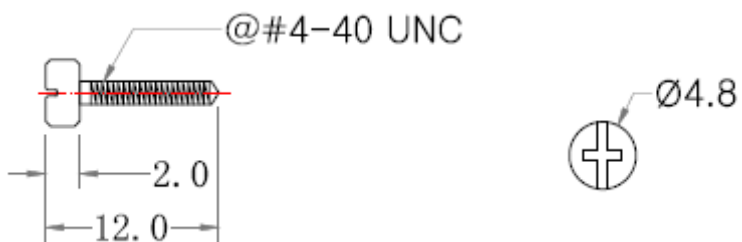
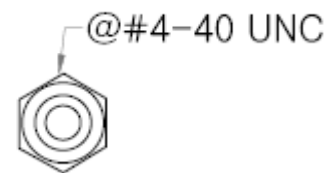
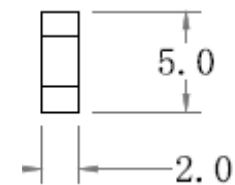
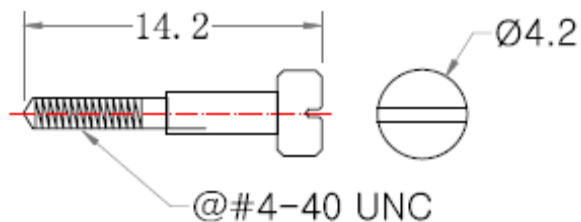
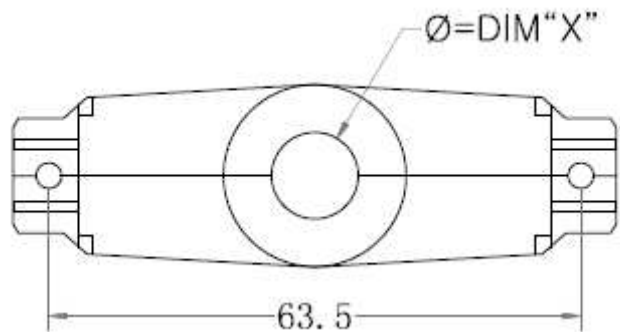
DRW:	Jason	CHKD	Wilson	MATL:	Wilson	TOLERANCE	Mason	DATE	25.12.2015
APPD:	Schumi			FINISH	Jamy		Sheet No.	1 from 3	

Customer:

EDCON-COMPONENTS



Hardware of D-Sub Hood

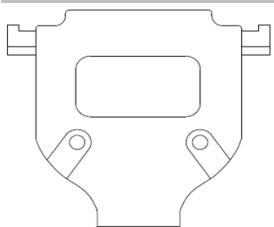


**37Pos. Full Metal Hood Cable
Entry 180° U-Type**

Part No.: **T31052**

DRW:	Jason	CHKD	Wilson	MATL:	Wilson	TOLERANCE	Mason	DATE	25.12.2015
APPD:	Schumi			FINISH	Jamy		Sheet No.	2 from 3	Customer:

EDCON-COMPONENTS



Ordering Informations

Serie	Pos.	Cable Entry Diameter	Srew Type	ROHS	Packing					
-------	------	----------------------	-----------	------	---------	--	--	--	--	--

T31052	-	37	H	S	R	1				
---------------	---	-----------	----------	----------	----------	----------	--	--	--	--

37= D-Sub-Type	H= 9,0mm	S= Short Screws	R= ROHS Conform	1= Mix Packing
	M= 11,5mm		N= NON ROHS Conform	
	Q= 13,5mm	IV= Individual Packing		
	U= 15,5mm			

37Pos. Full Metal Hood Cable Entry 180° U-Type
 Part No.: **T31052**

DRW:	Jason	CHKD	Wilson	MATL:	Wilson	TOLERANCE	Mason	DATE	25.12.2015	Customer:
APPD:	Schumi			FINISH	Jamy		Sheet No.	3 from 3		