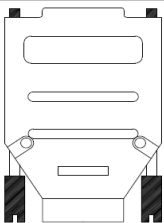


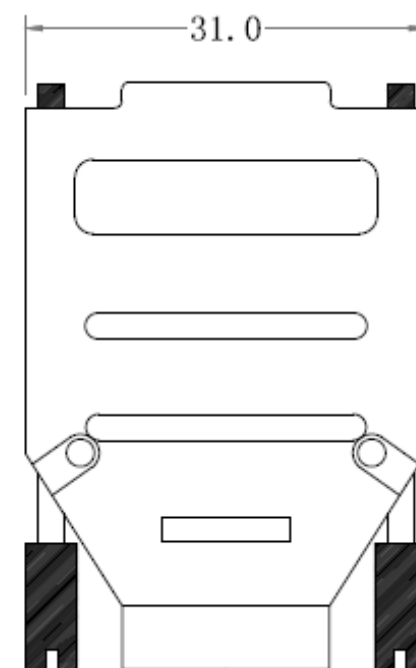
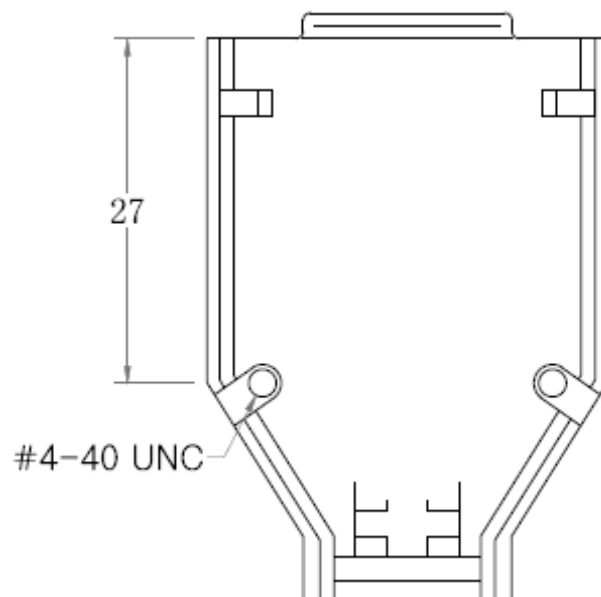
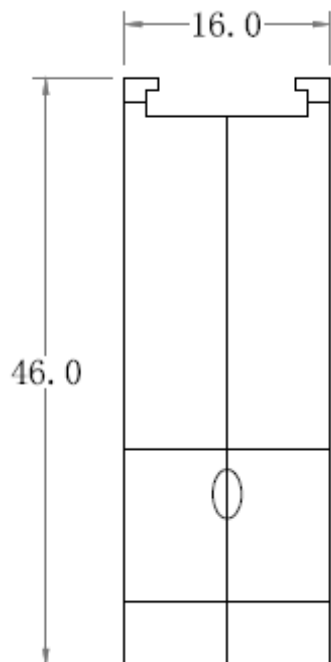
EDCON-COMPONENTS



Description

Material: Zinc Alloy
 Finished: Chromate plated

Dimensions (mm)



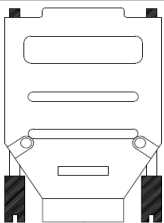
**09Pos. Full Metal Hood Cable
 Entry 180° H-Type**

Part No.: **T31041**

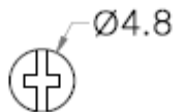
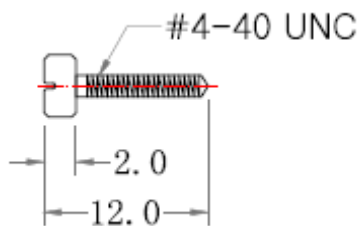
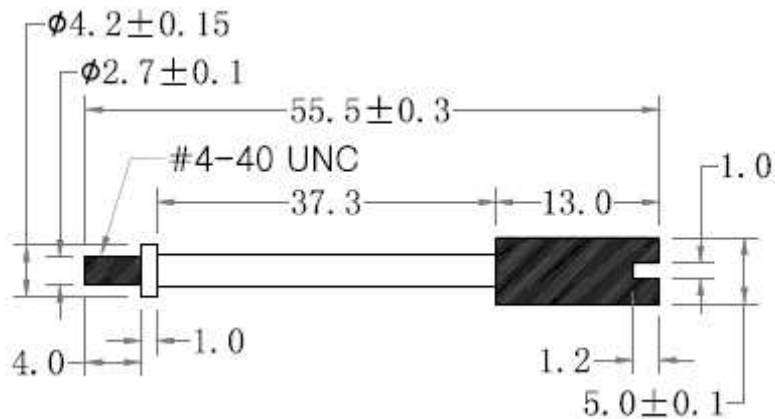
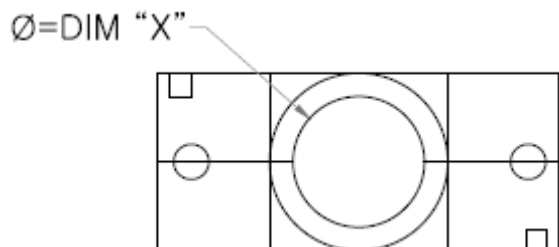
DRW:	Jason	CHKD	Wilson	MATL:	Wilson	TOLERANCE	Mason	DATE	25.12.2015
APPD:	Schumi			FINISH	Jamy		Sheet No.		1 from 3

Customer:

EDCON-COMPONENTS



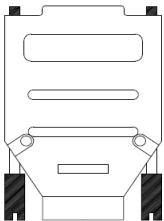
Hardware of D-Sub Hood



09Pos. Full Metal Hood Cable Entry 180° H-Type	
Part No.:	T31041
Customer:	

DRW:	Jason	CHKD	Wilson	MATL:	Wilson	TOLERANCE	Mason	DATE	25.12.2015
APPD:	Schumi			FINISH	Jamy		Sheet No.	2 from 3	

EDCON-COMPONENTS



Ordering Informations

Serie	Pos.	Cable Entry Diameter	Srew Type	ROHS	Packing					
-------	------	----------------------	-----------	------	---------	--	--	--	--	--

T31041	-	09	B	L	R	1				
---------------	---	-----------	----------	----------	----------	----------	--	--	--	--

09= D-Sub-Type	B= 6,0mm	L= Long Screws	R= ROHS Conform	1= Mix Packing
	E= 7,5mm		N= NON ROHS Conform	
	H= 9,0mm		IV= Individual Packing	
	L= 11,0mm			

09Pos. Full Metal Hood Cable Entry 180° H-Type	
Part No.:	T31041
Customer:	

DRW:	Jason	CHKD	Wilson	MATL:	Wilson	TOLERANCE	Mason	DATE	25.12.2015
APPD:	Schumi			FINISH	Jamy		Sheet No.		3 from 3