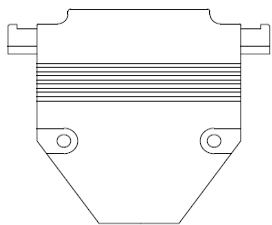


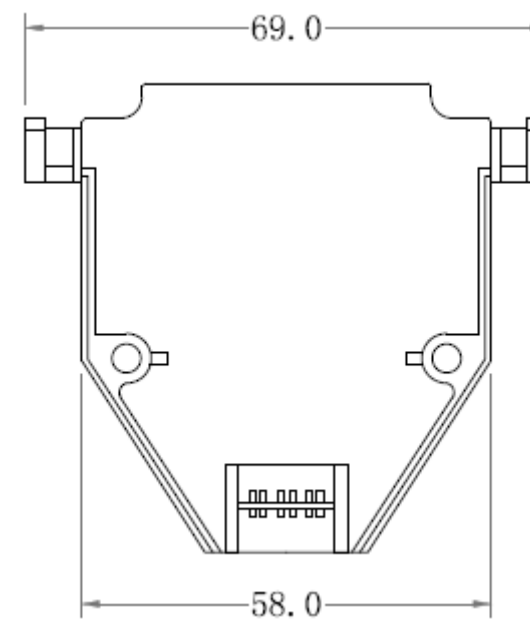
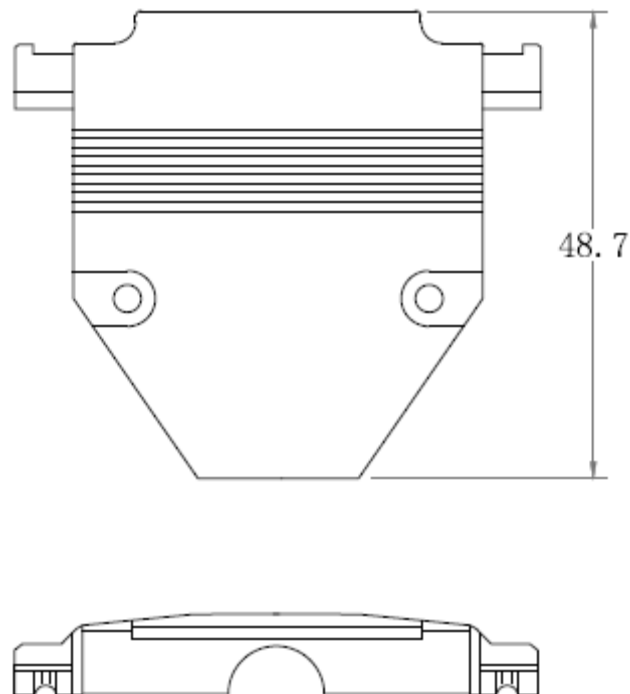
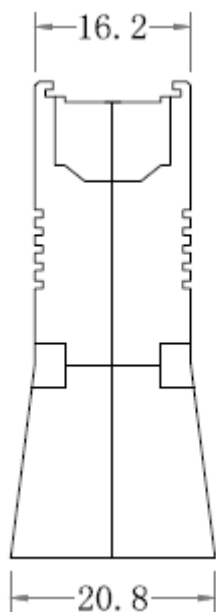
EDCON-COMPONENTS



Description

Material: Zinc Alloy
 Finished: Chromate plated

Dimensions (mm)



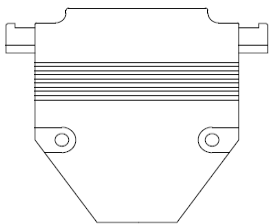
**37Pos. Full Metal Hood Cable
 Entry 180° Short Screw**

Part No.: **T31039**

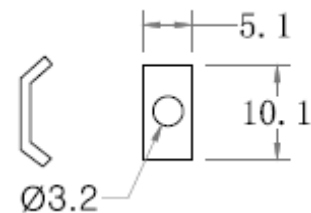
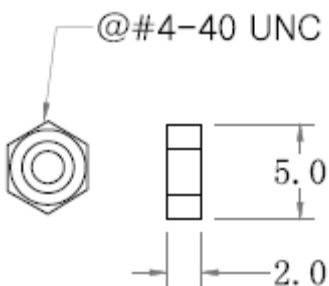
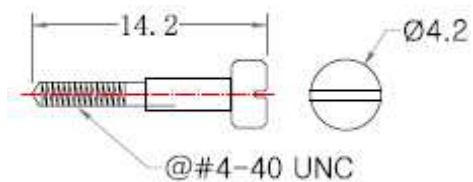
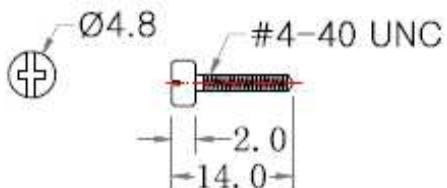
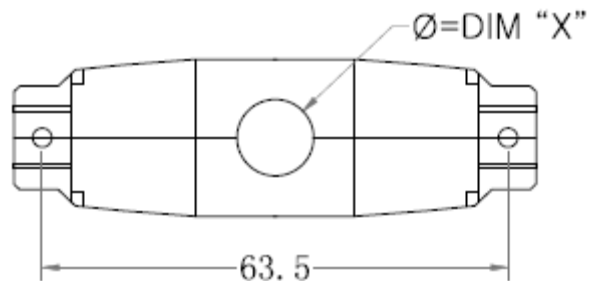
DRW:	Jason	CHKD	Wilson	MATL:	Wilson	TOLERANCE	Mason	DATE	25.12.2015
APPD:	Schumi			FINISH	Jamy		Sheet No.	1 from 3	

Customer:

EDCON-COMPONENTS



Hardware of D-Sub Hood

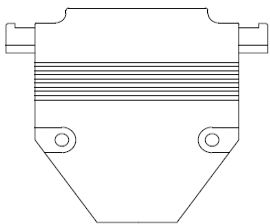


**37Pos. Full Metal Hood Cable
Entry 180° Short Screw**

Part No.: **T31039**

DRW:	Jason	CHKD	Wilson	MATL:	Wilson	TOLERANCE	Mason	DATE	25.12.2015	Customer:
APPD:	Schumi			FINISH	Jamy		Sheet No.	2 from 3		

EDCON-COMPONENTS



Ordering Informations

Serie	Pos.	Cable Entry Diameter	Srew Type	ROHS	Packing					
-------	------	----------------------	-----------	------	---------	--	--	--	--	--

T31039	-	37	J	S	R	1				
---------------	---	-----------	----------	----------	----------	----------	--	--	--	--

37= D-Sub-Type	J= 10,0mm	S= Short Screws	R= ROHS Conform	1= Mix Packing
	N= 12,0mm		N= NON ROHS Conform	
	R= 14,0mm		IV= Individual Packing	
	V= 16,0mm			

37Pos. Full Metal Hood Cable Entry 180° Short Screw
Part No.: **T31039**

DRW:	Jason	CHKD	Wilson	MATL:	Wilson	TOLERANCE	Mason	DATE	25.12.2015	Customer:
APPD:	Schumi			FINISH	Jamy		Sheet No.	3 from 3		