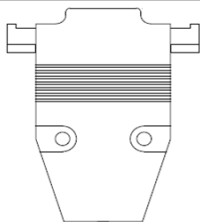


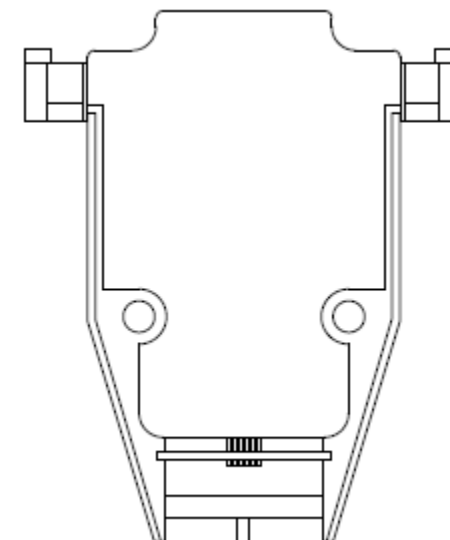
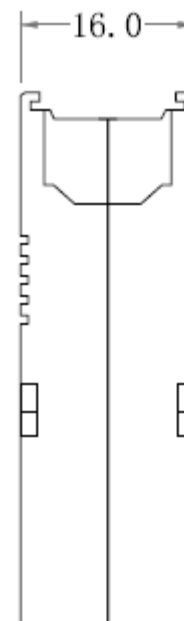
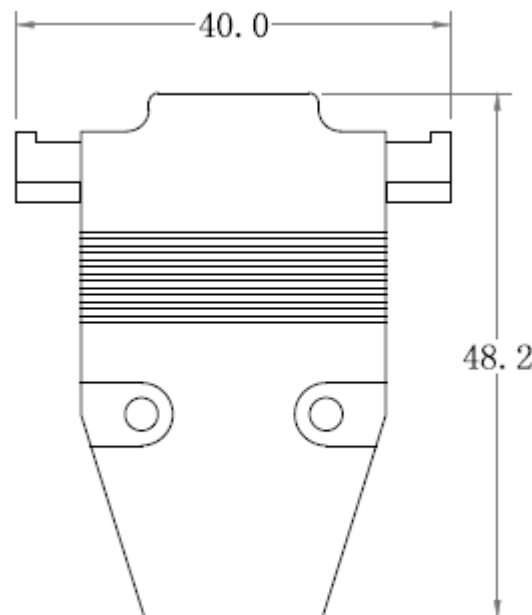
# EDCON-COMPONENTS



## Description

Material: Zinc Alloy  
 Finished: Chromate plated

## Dimensions (mm)



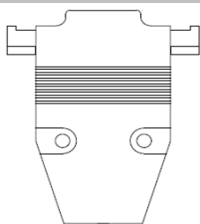
**15Pos. Full Metal Hood Cable  
 Entry 180° Short Screw**

Part No.: **T31037**

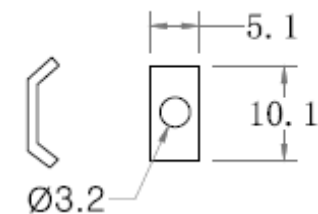
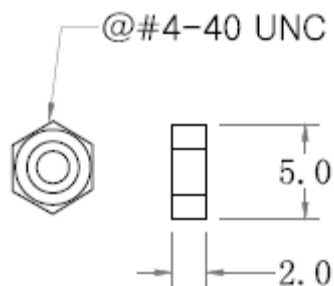
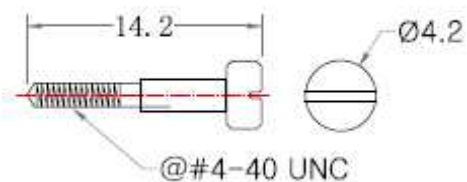
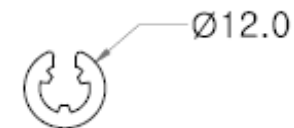
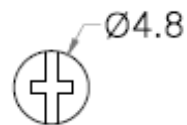
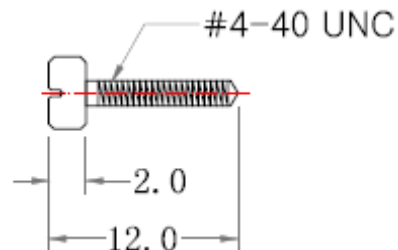
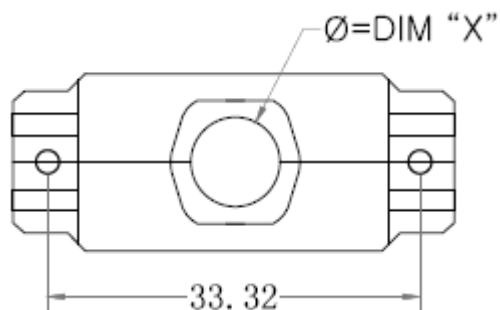
|       |        |      |        |        |        |           |           |          |            |
|-------|--------|------|--------|--------|--------|-----------|-----------|----------|------------|
| DRW:  | Jason  | CHKD | Wilson | MATL:  | Wilson | TOLERANCE | Mason     | DATE     | 25.12.2015 |
| APPD: | Schumi |      |        | FINISH | Jamy   |           | Sheet No. | 1 from 3 |            |

Customer:

# EDCON-COMPONENTS



## Hardware of D-Sub Hood

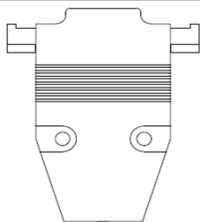


**15Pos. Full Metal Hood Cable  
Entry 180° Short Screw**

Part No.: **T31037**

|       |        |      |        |        |        |           |           |          |            |
|-------|--------|------|--------|--------|--------|-----------|-----------|----------|------------|
| DRW:  | Jason  | CHKD | Wilson | MATL:  | Wilson | TOLERANCE | Mason     | DATE     | 25.12.2015 |
| APPD: | Schumi |      |        | FINISH | Jamy   |           | Sheet No. | 2 from 3 | Customer:  |

# EDCON-COMPONENTS



## Ordering Informations

| Serie | Pos. | Cable Entry Diameter | Srew Type | ROHS | Packing |  |  |  |  |  |
|-------|------|----------------------|-----------|------|---------|--|--|--|--|--|
|-------|------|----------------------|-----------|------|---------|--|--|--|--|--|

|               |   |           |          |          |          |          |  |  |  |  |
|---------------|---|-----------|----------|----------|----------|----------|--|--|--|--|
| <b>T31037</b> | - | <b>15</b> | <b>A</b> | <b>S</b> | <b>R</b> | <b>1</b> |  |  |  |  |
|---------------|---|-----------|----------|----------|----------|----------|--|--|--|--|

|                |          |                        |                     |                |
|----------------|----------|------------------------|---------------------|----------------|
| 15= D-Sub-Type | A= 6,0mm | S= Short Screws        | R= ROHS Conform     | 1= Mix Packing |
|                | B= 7,0mm |                        | N= NON ROHS Conform |                |
|                | C= 8,0mm | IV= Individual Packing |                     |                |
|                | D= 9,0mm |                        |                     |                |
|                | E= 10mm  |                        |                     |                |
|                | F= 12mm  |                        |                     |                |
|                |          |                        |                     |                |
|                |          |                        |                     |                |

**15Pos. Full Metal Hood Cable Entry 180° Short Screw**  
 Part No.: **T31037**

|       |        |      |        |        |        |           |           |          |            |           |
|-------|--------|------|--------|--------|--------|-----------|-----------|----------|------------|-----------|
| DRW:  | Jason  | CHKD | Wilson | MATL:  | Wilson | TOLERANCE | Mason     | DATE     | 25.12.2015 | Customer: |
| APPD: | Schumi |      |        | FINISH | Jamy   |           | Sheet No. | 3 from 3 |            |           |