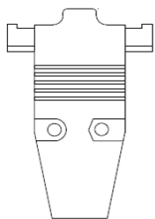


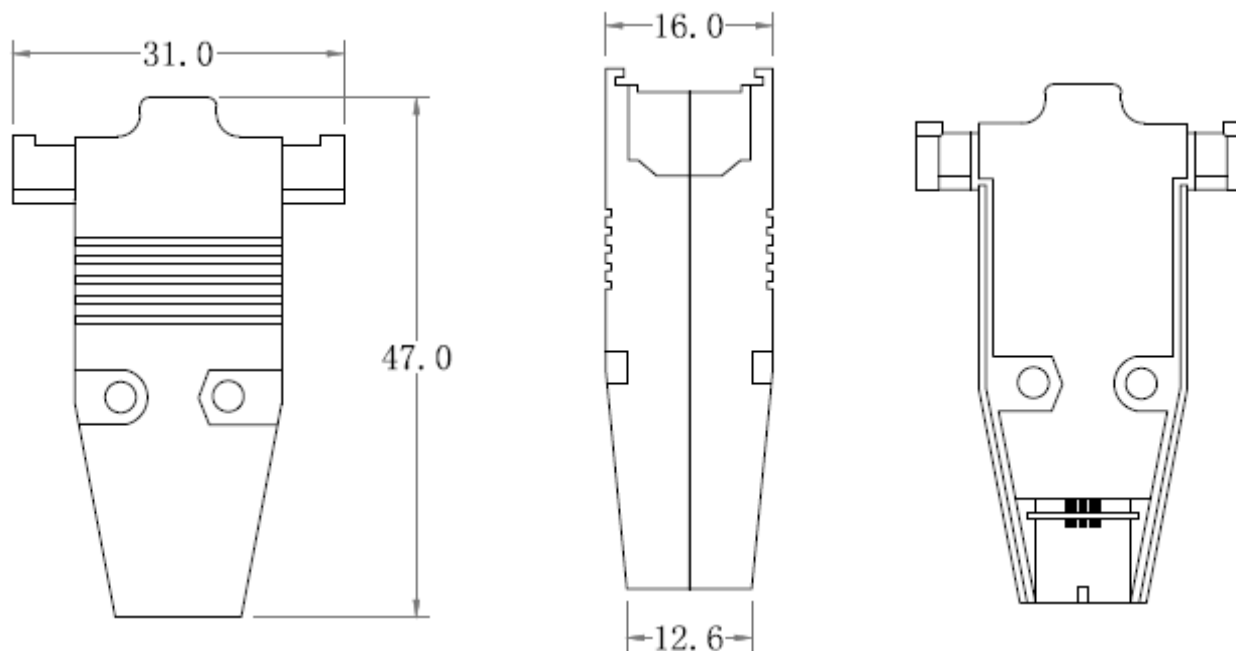
EDCON-COMPONENTS



Description

Material: Zinc Alloy
 Finished: Chromate plated

Dimensions (mm)



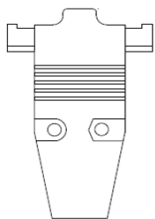
9Pos. Full Metal Hood Cable Entry 180° Short Screw	
Part No.:	T31036
Customer:	

DRW:	Jason	CHKD	Wilson	MATL:	Wilson	TOLERANCE	Mason	DATE	25.12.2015
APPD:	Schumi			FINISH	Jamy		Sheet No.	1 from 3	

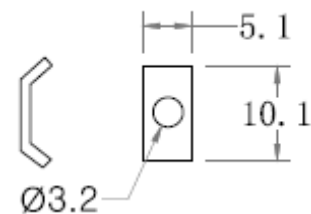
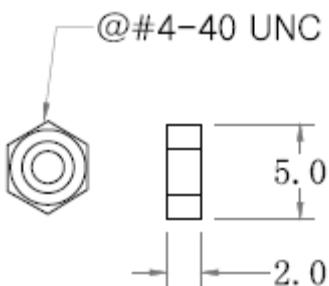
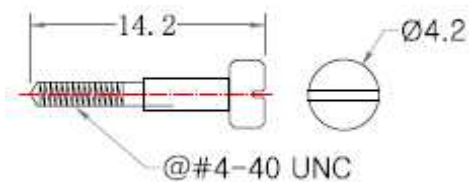
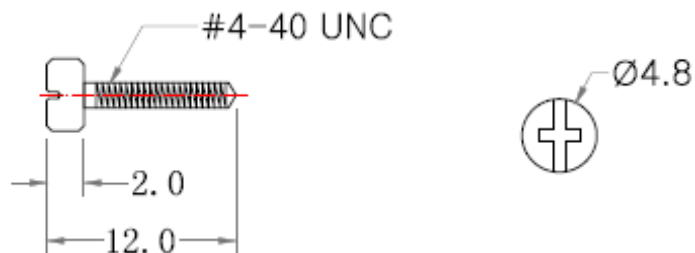
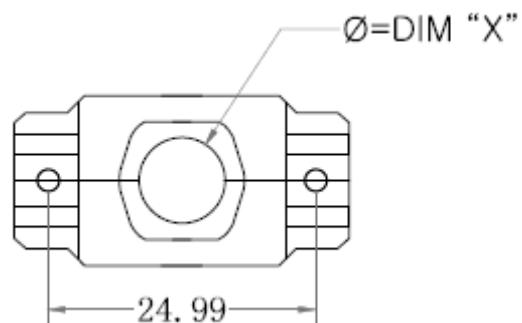
www.edcon-components.com

email: info@edcon-components.com

EDCON-COMPONENTS



Hardware of D-Sub Hood

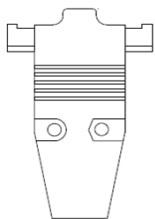


**9Pos. Full Metal Hood Cable
Entry 180° Short Screw**

Part No.: **T31036**

DRW:	Jason	CHKD	Wilson	MATL:	Wilson	TOLERANCE	Mason	DATE	25.12.2015
APPD:	Schumi			FINISH	Jamy		Sheet No.	2 from 3	Customer:

EDCON-COMPONENTS



Ordering Informations

Serie	Pos.	Cable Entry Diameter	Srew Type	ROHS	Packing					
-------	------	----------------------	-----------	------	---------	--	--	--	--	--

T31036	-	09	A	S	R	1				
---------------	---	-----------	----------	----------	----------	----------	--	--	--	--

09= D-Sub-Type	A= 5,5mm	S= Short Screws	R= ROHS Conform	1= Mix Packing
	B= 6,0mm		N= NON ROHS Conform	
	C= 6,5mm		IV= Individual Packing	
	D= 7,0mm			
	E= 7,5mm			
	F= 8,0mm			
	G= 8,5mm			
	H= 9,0mm			

9Pos. Full Metal Hood Cable Entry 180° Short Screw	
Part No.:	T31036
Customer:	

DRW:	Jason	CHKD	Wilson	MATL:	Wilson	TOLERANCE	Mason	DATE	25.12.2015
APPD:	Schumi			FINISH	Jamy		Sheet No.		3 from 3

www.edcon-components.com

email: info@edcon-components.com