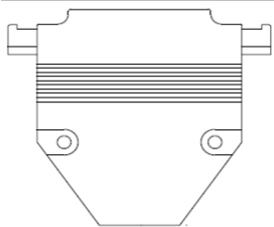


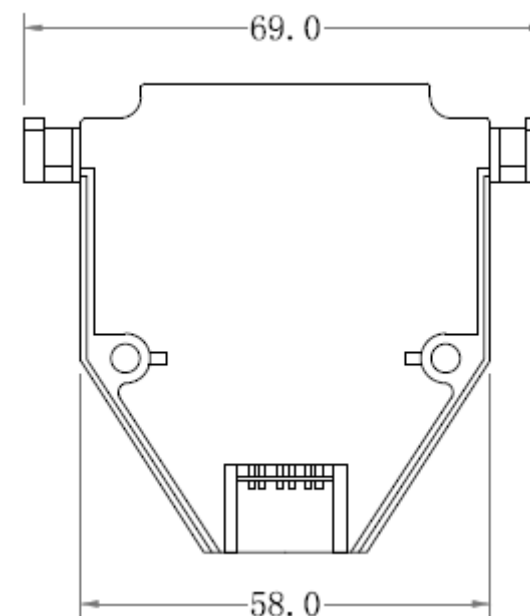
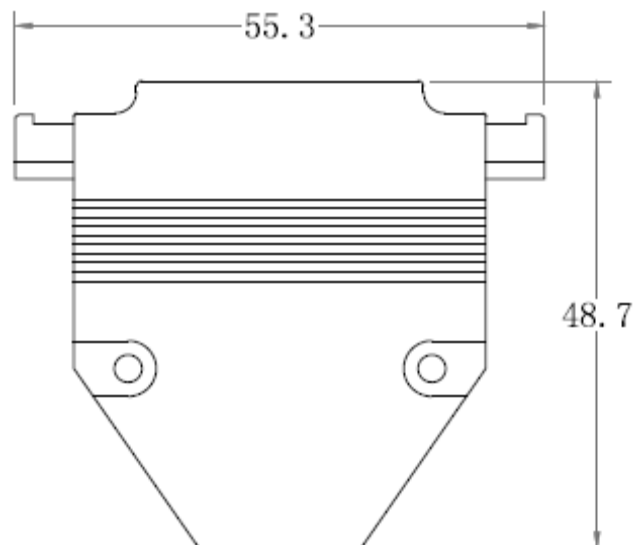
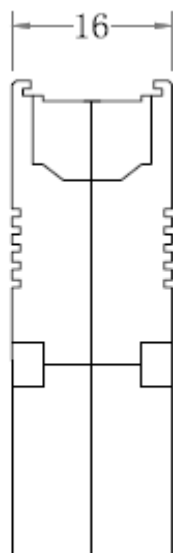
EDCON-COMPONENTS



Description

Material: Zinc Alloy
 Finished: Chromate plated

Dimensions (mm)



**25Pos. Full Metal Hood Cable
 Entry 180° Long Screw**

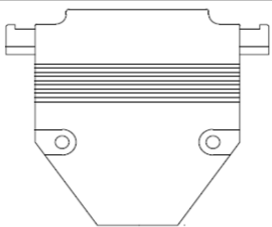
Part No.: **T31034**

DRW:	Jason	CHKD	Wilson	MATL:	Wilson	TOLERANCE	Mason	DATE	25.12.2015
APPD:	Schumi			FINISH	Jamy		Sheet No.	1 from 3	Customer:

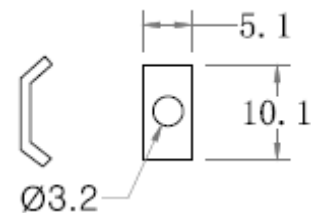
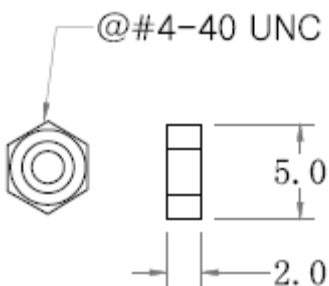
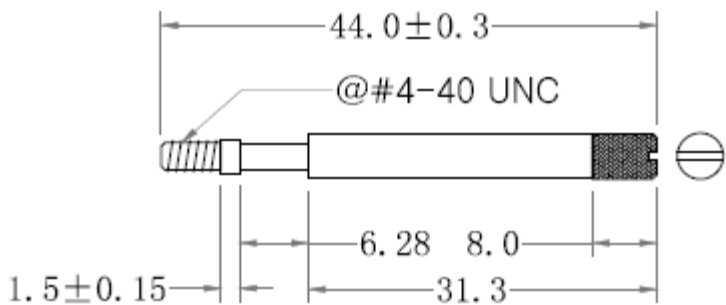
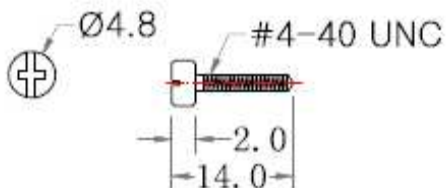
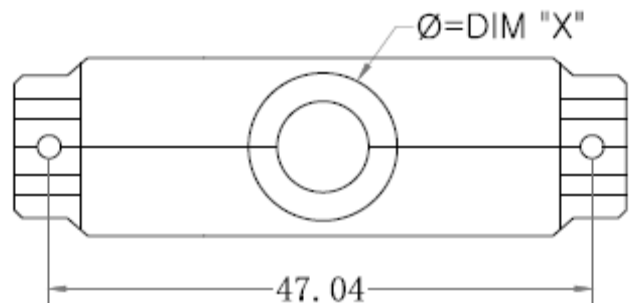
www.edcon-components.com

email: info@edcon-components.com

EDCON-COMPONENTS



Hardware of D-Sub Hood

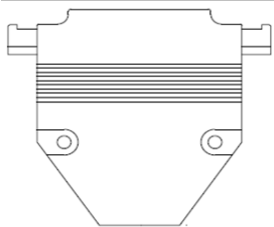


**25Pos. Full Metal Hood Cable
Entry 180° Long Screw**

Part No.: **T31034**

DRW:	Jason	CHKD	Wilson	MATL:	Wilson	TOLERANCE	Mason	DATE	25.12.2015	Customer:
APPD:	Schumi			FINISH	Jamy		Sheet No.	2 from 3		

EDCON-COMPONENTS



Ordering Informations

Serie	Pos.	Cable Entry Diameter	Srew Type	ROHS	Packing					
-------	------	----------------------	-----------	------	---------	--	--	--	--	--

T31034	-	25	A	L	R	1				
---------------	---	-----------	----------	----------	----------	----------	--	--	--	--

25= D-Sub-Type	A= 7,0mm	L= Long Screws	R= ROHS Conform	1= Mix Packing
	B= 8,0mm		N= NON ROHS Conform	
	C= 9,0mm	IV= Individual Packing		
	D= 10,0mm			
	E= 11mm			
	F= 12mm			
	P= 13mm			
	H= 14,5mm			

25Pos. Full Metal Hood Cable Entry 180° Long Screw
 Part No.: **T31034**

DRW:	Jason	CHKD	Wilson	MATL:	Wilson	TOLERANCE	Mason	DATE	25.12.2015	Customer:
APPD:	Schumi			FINISH	Jamy		Sheet No.	3 from 3		