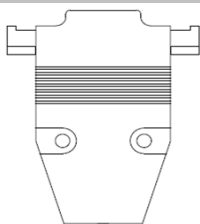


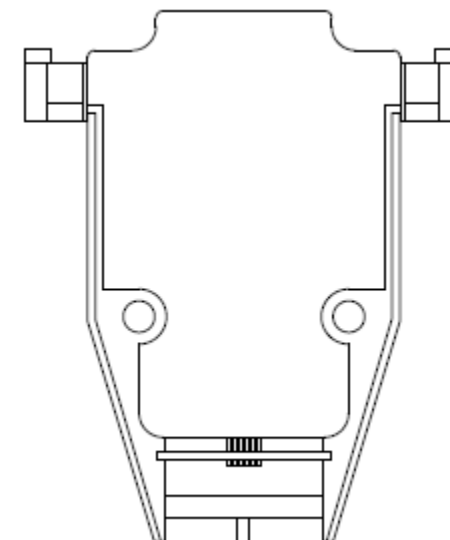
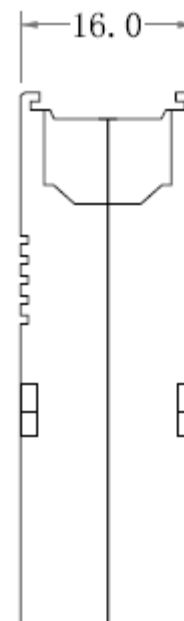
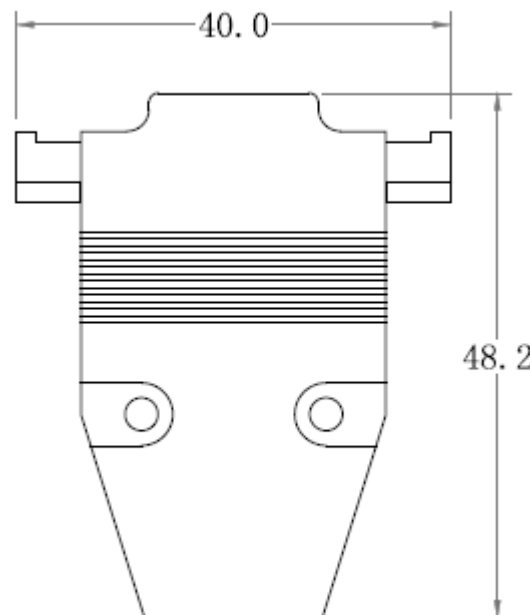
EDCON-COMPONENTS



Description

Material: Zinc Alloy
 Finished: Chromate plated

Dimensions (mm)



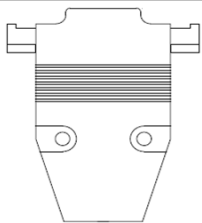
**15Pos. Full Metal Hood Cable
 Entry 180° Long Screw**

Part No.: **T31033**

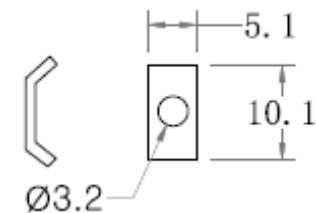
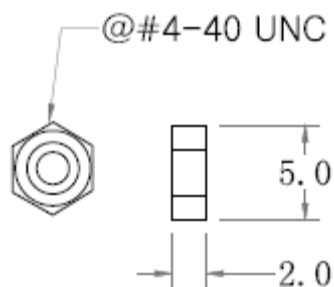
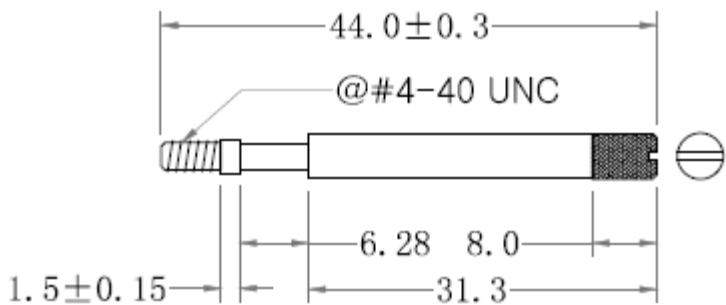
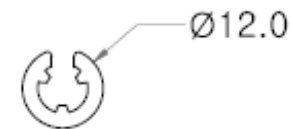
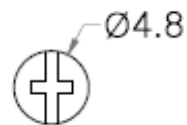
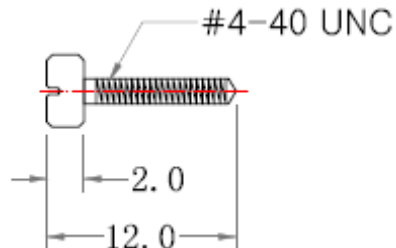
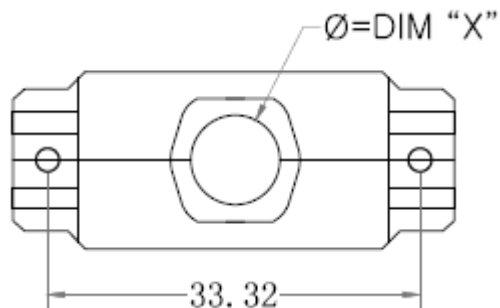
DRW:	Jason	CHKD	Wilson	MATL:	Wilson	TOLERANCE	Mason	DATE	25.12.2015
APPD:	Schumi			FINISH	Jamy		Sheet No.	1 from 3	

Customer:

EDCON-COMPONENTS



Hardware of D-Sub Hood

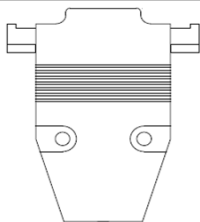


**15Pos. Full Metal Hood Cable
Entry 180° Long Screw**

Part No.: **T31033**

DRW:	Jason	CHKD	Wilson	MATL:	Wilson	TOLERANCE	Mason	DATE	25.12.2015
APPD:	Schumi			FINISH	Jamy		Sheet No.	2 from 3	Customer:

EDCON-COMPONENTS



Ordering Informations

Serie	Pos.	Cable Entry Diameter	Srew Type	ROHS	Packing					
-------	------	----------------------	-----------	------	---------	--	--	--	--	--

T31033	-	15	A	L	R	1				
---------------	---	-----------	----------	----------	----------	----------	--	--	--	--

15= D-Sub-Type	A= 6,0mm	L= Long Screws	R= ROHS Conform	1= Mix Packing
	B= 7,0mm		N= NON ROHS Conform	
	C= 8,0mm	IV= Individual Packing		
	D= 9,0mm			
	E= 10mm			
	F= 12mm			

15Pos. Full Metal Hood Cable Entry 180° Long Screw
Part No.: **T31033**

DRW:	Jason	CHKD	Wilson	MATL:	Wilson	TOLERANCE	Mason	DATE	25.12.2015	Customer:
APPD:	Schumi			FINISH	Jamy		Sheet No.	3 from 3		