

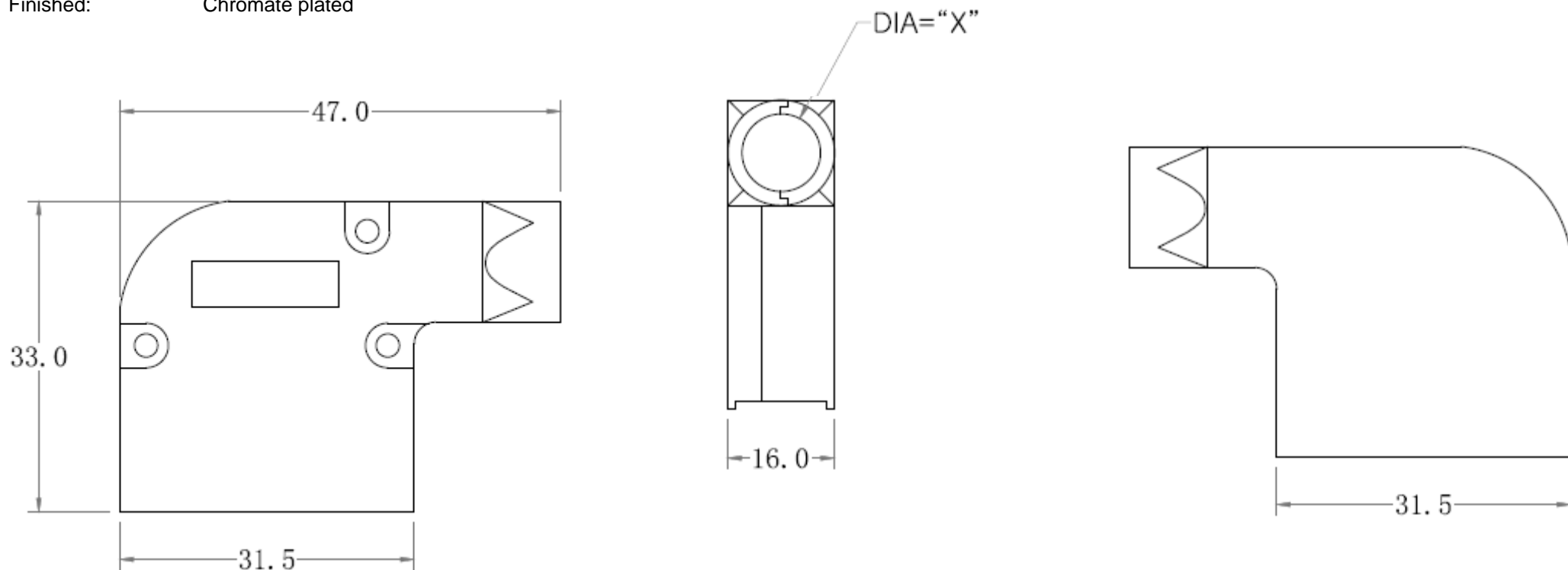
EDCON-COMPONENTS



Description

Dimensions (mm)

Material: Zinc Alloy
 Finished: Chromate plated

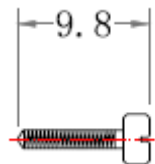
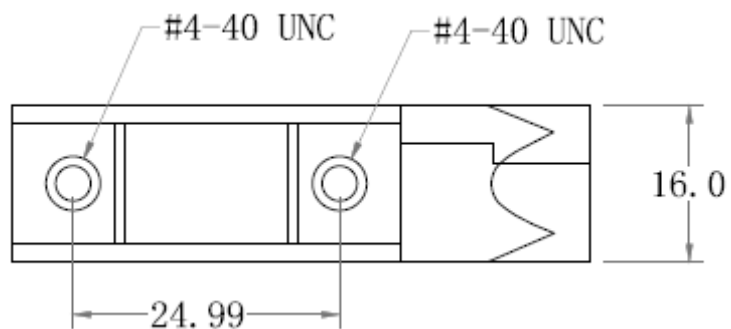


9Pos. Ethenet Full Metal Hood Cable Entry 90°	
Part No.:	T31028
Customer:	

DRW:	Jason	CHKD	Wilson	MATL:	Wilson	TOLERANCE	Mason	DATE	12.11.2015
APPD:	Schumi			FINISH	Jamy		Sheet No.	1 from 3	

www.edcon-components.com

email: info@edcon-components.com



9Pos. Ethernet Full Metal Hood Cable Entry 90°

Part No.: **T31028**

DRW:	Jason	CHKD	Wilson	MATL:	Wilson	TOLERANCE	Mason	DATE	12.11.2015
APPD:	Schumi			FINISH	Jamy		Sheet No.	2 from 3	

Customer:

EDCON-COMPONENTS



Ordering Informations

Serie	Pos.	Cable Entry Diameter	Srew Type	ROHS	Packing					
-------	------	----------------------	-----------	------	---------	--	--	--	--	--

T31028	-	9	B	S	R	1				
---------------	---	----------	----------	----------	----------	----------	--	--	--	--

9= D-Sub-Type	B= 6,0mm	S= Short Screws	R= ROHS Conform	1= Mix Packing
	E= 7,5mm		N= NON ROHS Conform	
	H= 9,0mm	IV= Individual Packing		
	L= 11,0mm			

9Pos. Ethenet Full Metal Hood Cable Entry 90°

Part No.: **T31028**

DRW:	Jason	CHKD	Wilson	MATL:	Wilson	TOLERANCE	Mason	DATE	12.11.2015
APPD:	Schumi			FINISH	Jamy		Sheet No.		3 from 3

Customer: