

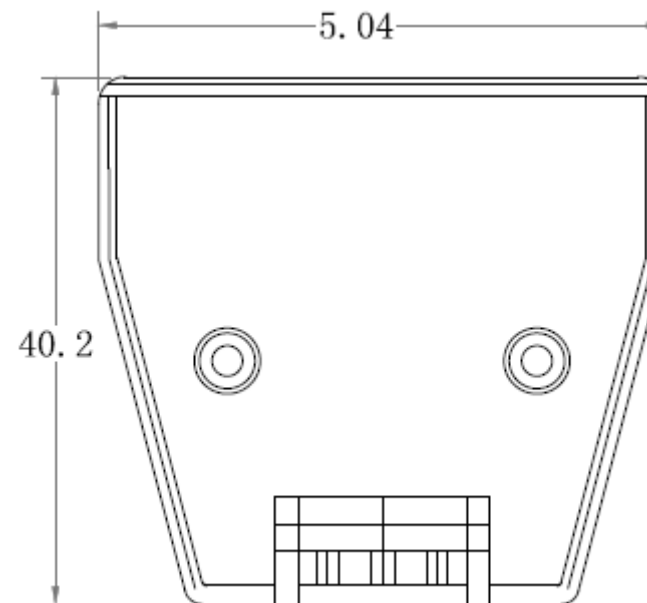
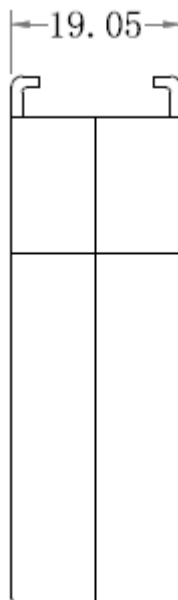
EDCON-COMPONENTS



Description

Material: Zinc Alloy
 Finished: Chromate plated

Dimensions (mm)

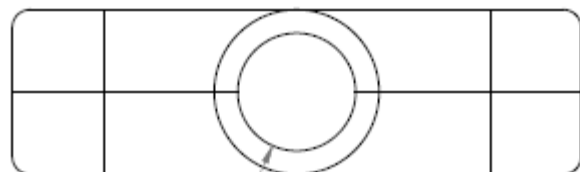


36Pos. Ethenet Full Metal Hood Cable Entry 180°

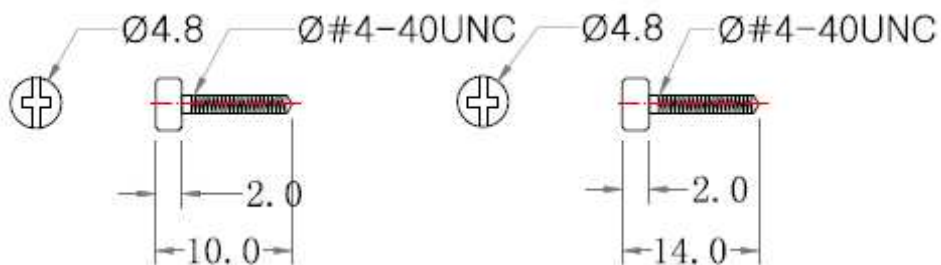
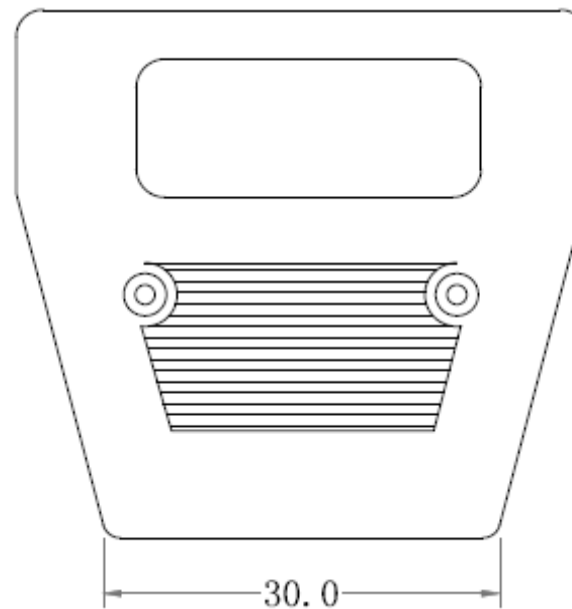
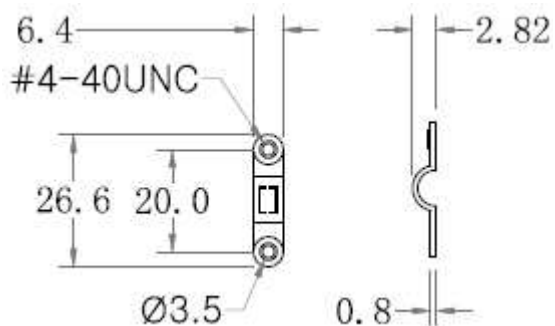
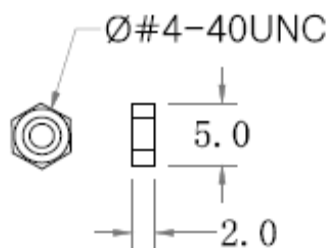
Part No.: **T31027**

DRW:	Jason	CHKD	Wilson	MATL:	Wilson	TOLERANCE	Mason	DATE	12.11.2015
APPD:	Schumi			FINISH	Jamy		Sheet No.	1 from 3	Customer:

EDCON-COMPONENTS



Ø11.18



36Pos. Ethenet Full Metal Hood Cable Entry 180°

Part No.: **T31027**

Customer:

DRW:	Jason	CHKD	Wilson	MATL:	Wilson	TOLERANCE	Mason	DATE	12.11.2015
APPD:	Schumi			FINISH	Jamy		Sheet No.	2 from 3	

EDCON-COMPONENTS



Ordering Informations

Serie	Pos.	Cable Entry Diameter	Srew Type	ROHS	Packing					
-------	------	----------------------	-----------	------	---------	--	--	--	--	--

T31027	-	36	E	S	R	1				
---------------	---	-----------	----------	----------	----------	----------	--	--	--	--

36= C-Sub-Type	H= 9,0mm	S= Short Screws	R= ROHS Conform	1= Mix Packing
	L= 11,0mm		N= NON ROHS Conform	

36Pos. Ethenet Full Metal Hood Cable Entry 180°

Part No.: **T31027**

DRW:	Jason	CHKD	Wilson	MATL:	Wilson	TOLERANCE	Mason	DATE	12.11.2015	Customer:
APPD:	Schumi			FINISH	Jamy		Sheet No.	3 from 3		

www.edcon-components.com

email: info@edcon-components.com