

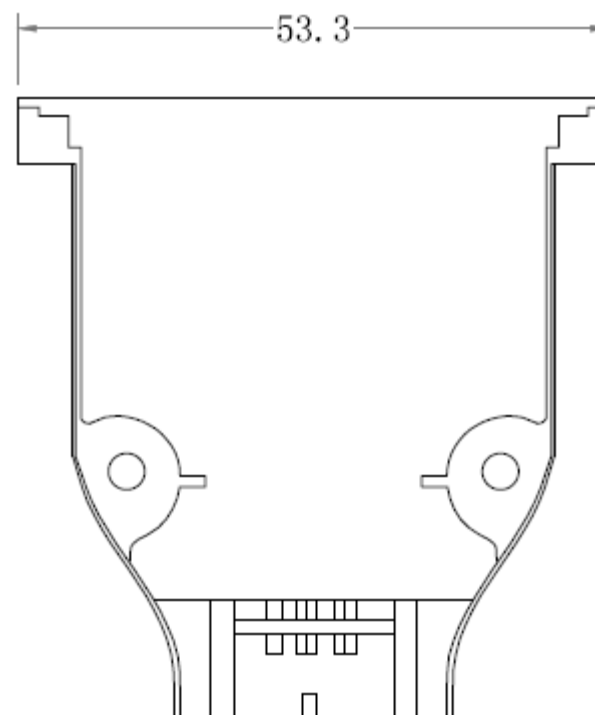
# EDCON-COMPONENTS



## Description

## Dimensions (mm)

Material: Zinc Alloy  
 Finished: Chromate plated



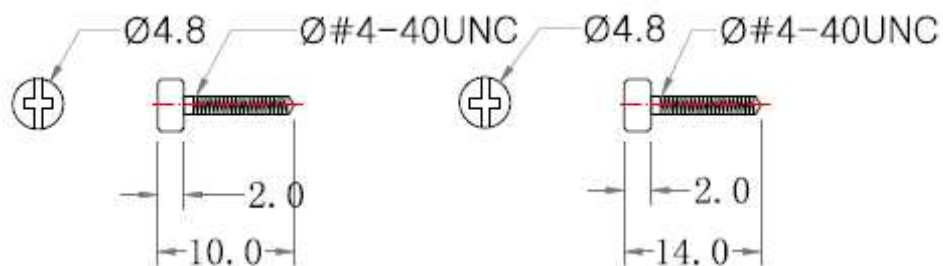
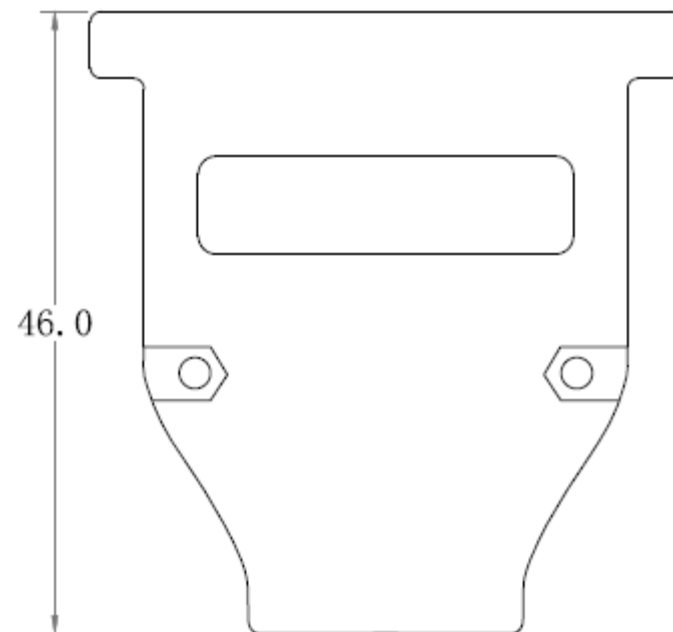
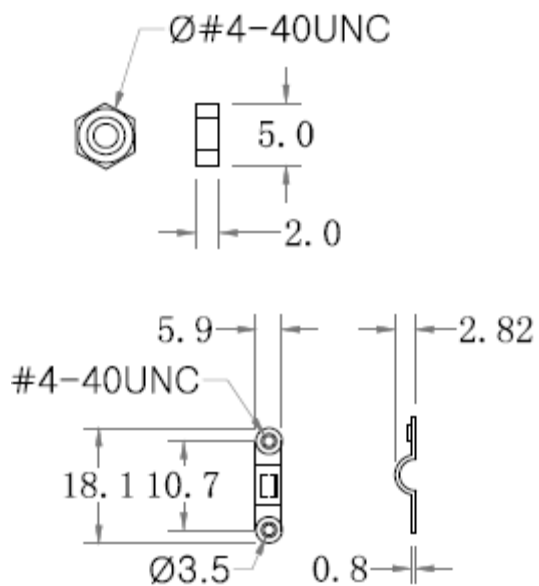
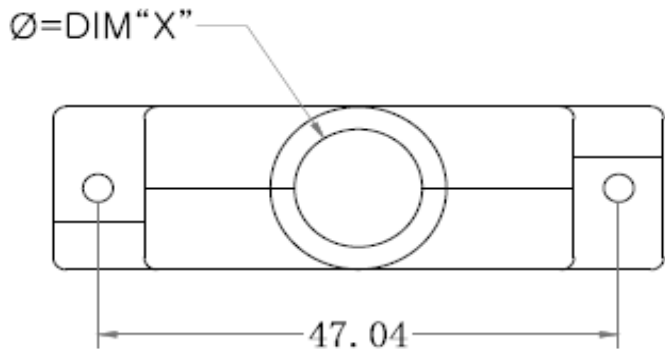
**25Pos. Ethenet Full Metal Hood Cable Entry 180°**

Part No.: **T31026**

DRW:	Jason	CHKD	Wilson	MATL:	Wilson	TOLERANCE	Mason	DATE	12.11.2015
APPD:	Schumi			FINISH	Jamy		Sheet No.		1 from 3

Customer:

# EDCON-COMPONENTS



**25Pos. Ethenet Full Metal  
Hood Cable Entry 180°**

Part No.: **T31026**

Customer:

DRW:	Jason	CHKD	Wilson	MATL:	Wilson	TOLERANCE	Mason	DATE	12.11.2015
APPD:	Schumi			FINISH	Jamy		Sheet No.	2 from 3	

# EDCON-COMPONENTS



## Ordering Informations

Serie	Pos.	Cable Entry Diameter	Srew Type	ROHS	Packing					
-------	------	----------------------	-----------	------	---------	--	--	--	--	--

<b>T31026</b>	-	<b>25</b>	<b>E</b>	<b>S</b>	<b>R</b>	<b>1</b>				
---------------	---	-----------	----------	----------	----------	----------	--	--	--	--

<b>25= D-Sub-Type</b>		<b>S= Short Screws</b>	<b>R= ROHS Conform</b>	<b>1= Mix Packing</b>	
			<b>N= NON ROHS Conform</b>	<b>IV= Individual Packing</b>	
	<b>E= 7,5mm</b>				
	<b>L= 11,0mm</b>				
	<b>H= 13,0mm</b>				

**25Pos. Ethenet Full Metal Hood Cable Entry 180°**

Part No.: **T31026**

DRW:	Jason	CHKD	Wilson	MATL:	Wilson	TOLERANCE	Mason	DATE	12.11.2015
APPD:	Schumi			FINISH	Jamy		Sheet No.		3 from 3

Customer: