

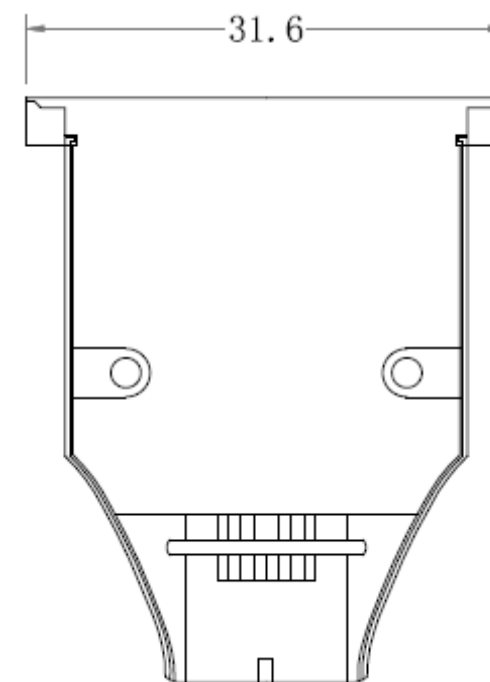
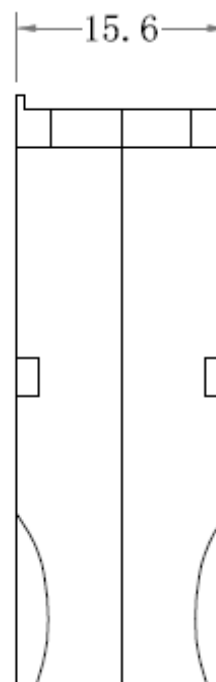
EDCON-COMPONENTS



Description

Dimensions (mm)

Material: Zinc Alloy
 Finished: Chromate plated



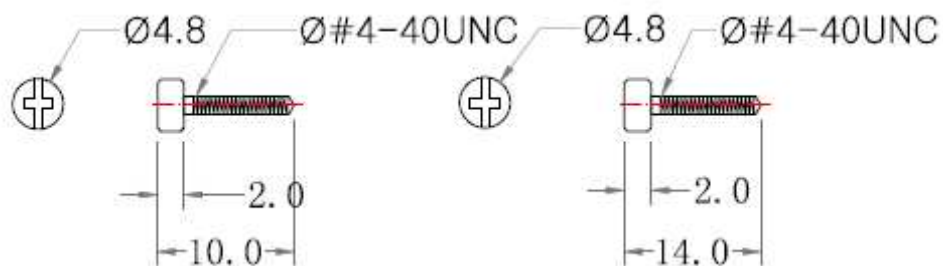
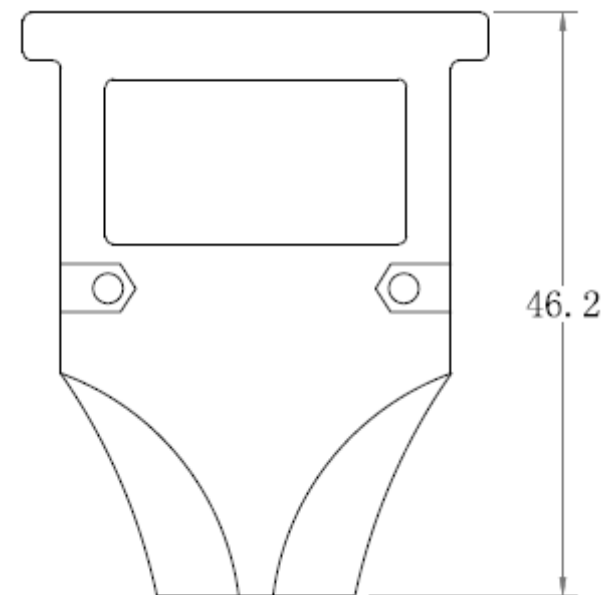
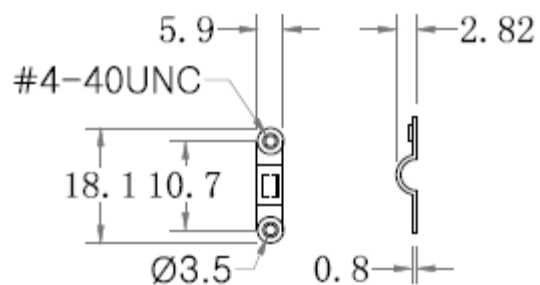
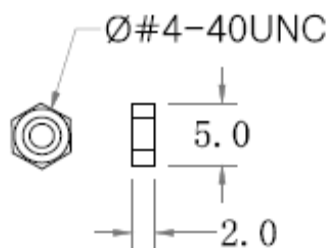
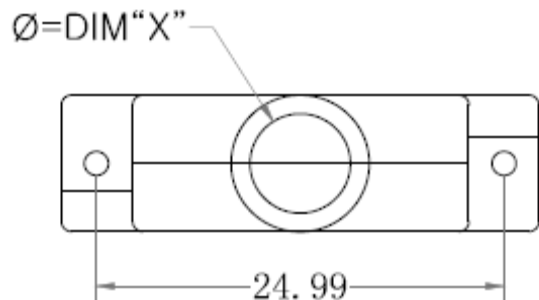
9Pos. Ethenet Full Metal Hood Cable Entry 180°

Part No.: **T31024**

DRW:	Jason	CHKD	Wilson	MATL:	Wilson	TOLERANCE	Mason	DATE	12.11.2015
APPD:	Schumi			FINISH	Jamy		Sheet No.	1 from 3	

Customer:

EDCON-COMPONENTS



**9Pos. Ethernet Full Metal
Hood Cable Entry 180°**

Part No.: **T31024**

Customer:

DRW:	Jason	CHKD	Wilson	MATL:	Wilson	TOLERANCE	Mason	DATE	12.11.2015
APPD:	Schumi			FINISH	Jamy		Sheet No.	2 from 3	

EDCON-COMPONENTS



Ordering Informations

Serie	Pos.	Cable Entry Diameter	Srew Type	ROHS	Packing					
-------	------	----------------------	-----------	------	---------	--	--	--	--	--

T31024	-	9	B	S	R	1				
---------------	---	----------	----------	----------	----------	----------	--	--	--	--

9= D-Sub-Type	B= 6mm	S= Short Screws	R= ROHS Conform	1= Mix Packing
	H= 9mm			
	E= 7,5mm			
	L= 11,0mm			

9Pos. Ethenet Full Metal Hood Cable Entry 180°	
Part No.:	T31024
Customer:	

DRW:	Jason	CHKD	Wilson	MATL:	Wilson	TOLERANCE	Mason	DATE	12.11.2015
APPD:	Schumi			FINISH	Jamy		Sheet No.		3 from 3