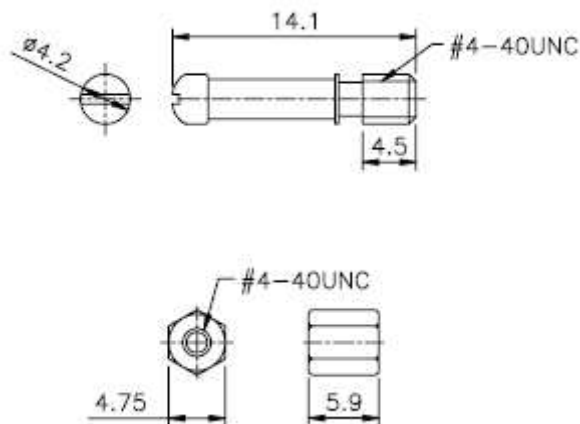


EDCON-COMPONENTS

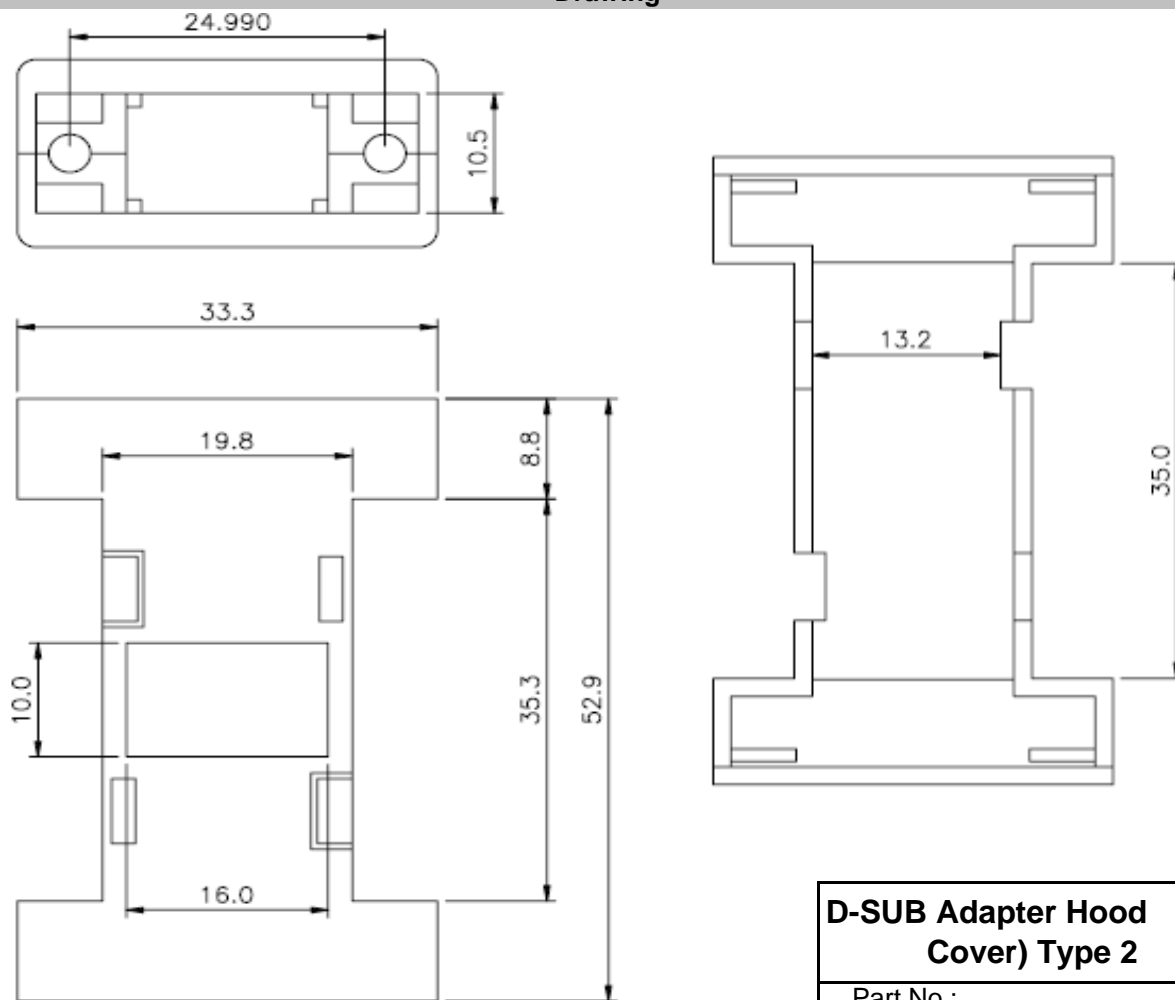


Technical Discription

Insulator: ABS UL94-HB
 Color of Insulator: Gray / Black / Chromatic
 Screw & Nut: Steel (chrsheet-Coil) Nickel Plated
 D-SUB Type 9pos. both side



Drawing



D-SUB Adapter Hood (Cover) Type 2

Part No.:

Customer:

DRW:	Jason	CHKD	Wilson	MATL:	Wilson	TOLERANCE	Mason	DATE	03.12.2011
APPD:	Schumi			FINISH	Jamy		Sheet No.	1 from 2	

EDCON-COMPONENTS



Ordering Informations

Terminal

Serie	Material	Colr of Body	ROHS	Packing		
-------	----------	--------------	------	---------	--	--

T31009	-	P	GY	R	BU	
--------	---	---	----	---	----	--

P= Plastic (ABS)	GY= Gray (Standard)	R= ROHS Conform	BU= One Set in one Polybag
	BK= Black	N= NON ROHS Conform	
	CH= Chromatic		IV= Individuall Package

D-SUB Adapter Hood (Cover) Type 2

Part No.: **T31009**

Customer:

DRW:	Jason	CHKD	Wilson	MATL:	Wilson	TOLERANCE	Mason	DATE	03.12.2011
APPD:	Schumi			FINISH	Jamy			Sheet No.	2 from 2