

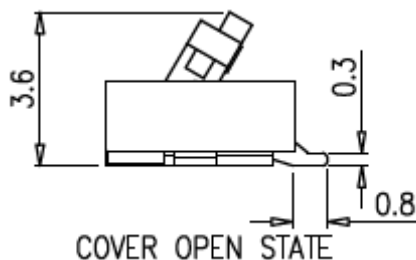
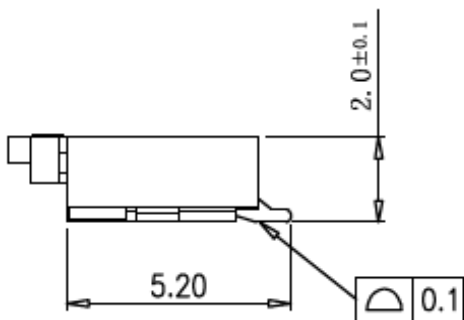
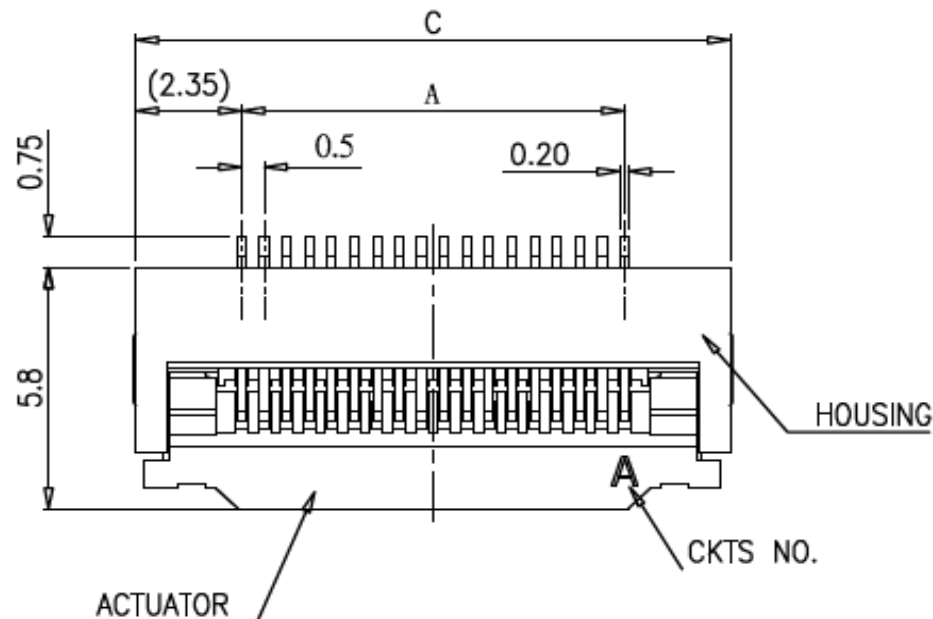
# EDCON-COMPONENTS



## Specifications

Material Housing	LCP
	Color Natural
Material Latch:	PPS
	Color Black
Terminal:	Phosphor Bronze
Fitting Nail:	Bronze Matte / Tin plated
Plating Finish:	Matt Tin / Gold flash overall
Fitting Nail:	Matt Tin overall
Electrical:	
Current Rating:	0,5A/ VAC/DC
Voltage Rating:	50V AC/DC
Temperature Range:	.- 25°C ~ +85°C
Contact Resistance:	<40m Ohm max.
Insulation Resistance:	>800M Ohm min.
Withstanding Voltage:	200V AC/Minute
Relative Humidity:	90% max.

## Technical Drawing



**NON-ZIF FFC/FPC Connector  
Pitch 0,5mm Dual-Contact  
Hinged Cover ( Easy On)**

Part No.: **T28H012-**

DRW:	Jason	CHKD	<b>Unless Otherwise specified tolerance ( mm)</b>				DATE	28.02.2017
APPD:	Schumi	Mason	X. ± 0,35	X.X ± 0,25	X.XX ± 0,20	X.XXX ± 0,15	Sheet No.	1 from 5

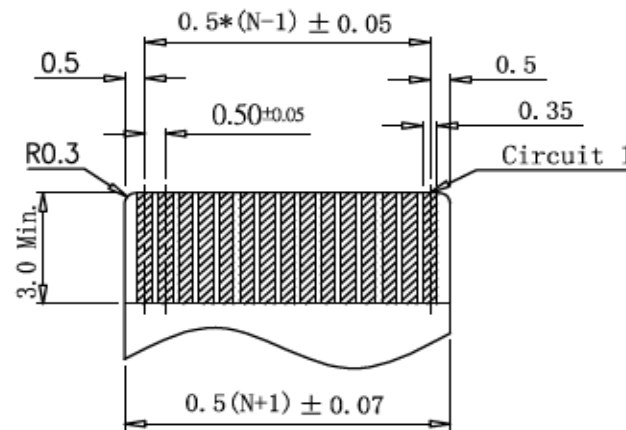
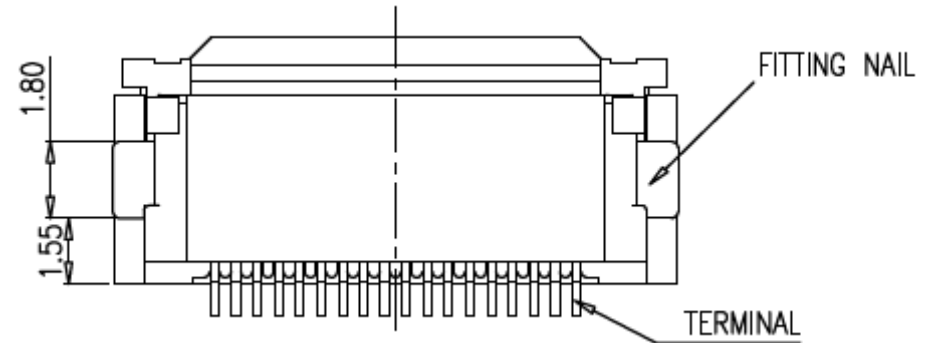
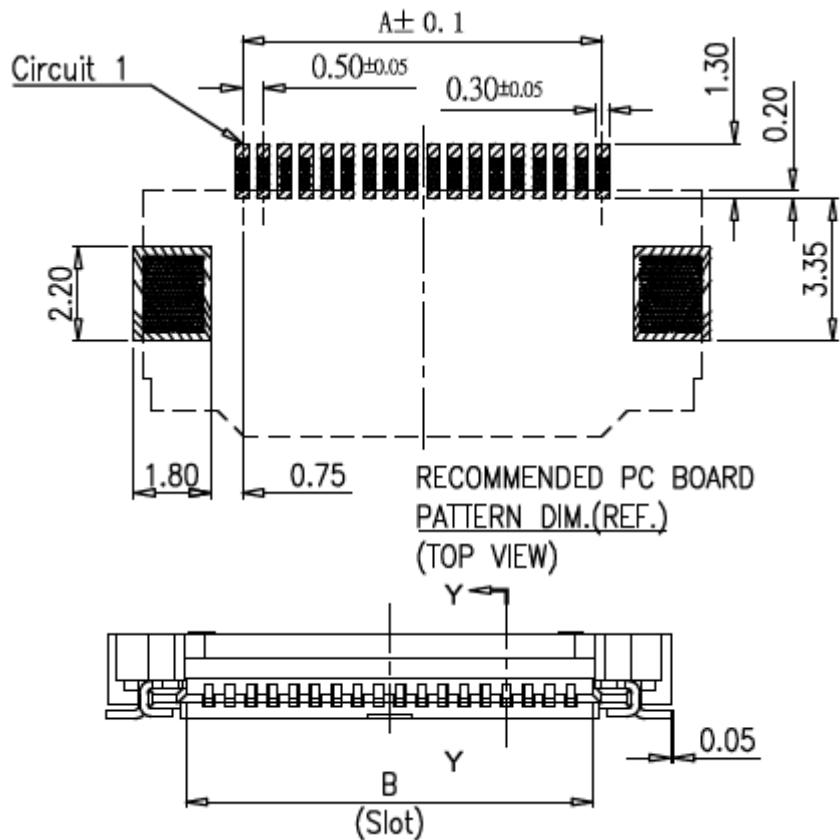
Customer:  
email: [info@edcon-components.com](mailto:info@edcon-components.com)

# EDCON-COMPONENTS



## Technical Drawing

### PCB Layout



APPLICABLE FPC RECOMMENDED DIM. (THICKNESS:  $0.3 \pm 0.03$ )

**FFC/FPC Connector Pitch**  
**0,5mm DUAL Contact Back Flip**  
**Type**

Part No.: **T28H012-**

Customer:

DRW:	Jason	CHKD	<b>Unless Otherwise specified tolerance ( mm)</b>				DATE	28.02.2017
APPD:	Schumi	Mason	X. $\pm 0,35$	X.X $\pm 0,25$	X.XX $\pm 0,20$	X.XXX $\pm 0,15$	Sheet No.	2 from 5



# EDCON-COMPONENTS



## Ordering Informations

Serie	No. of Pos.	Construction	Contact Plating	Material	Special function	Special function	ROHS	Packing		
<b>T28H012-</b>	<b>xx</b>	<b>RS</b>	<b>T0</b>	<b>TP</b>	<b>0</b>	<b>0</b>	<b>R</b>	<b>TR</b>		

XX= total		<b>G0</b> = Gold Flash		<b>0</b> = No function	<b>0</b> = No function	<b>N</b> =NON ROHS conform	
		<b>T0</b> = Tin plated	<b>TP</b> = themoplastic UL94V-0			<b>R</b> =ROHS conform	<b>TU</b> = Tube
		<b>RS</b> = Right angle SMT					<b>TR</b> = Tape Reel Packing

**NON-ZIF FFC/FPC Connector  
Pitch 0,5mm Dual-Contact  
Hinged Cover ( Easy On)**  
Part No.: **T28H012-**

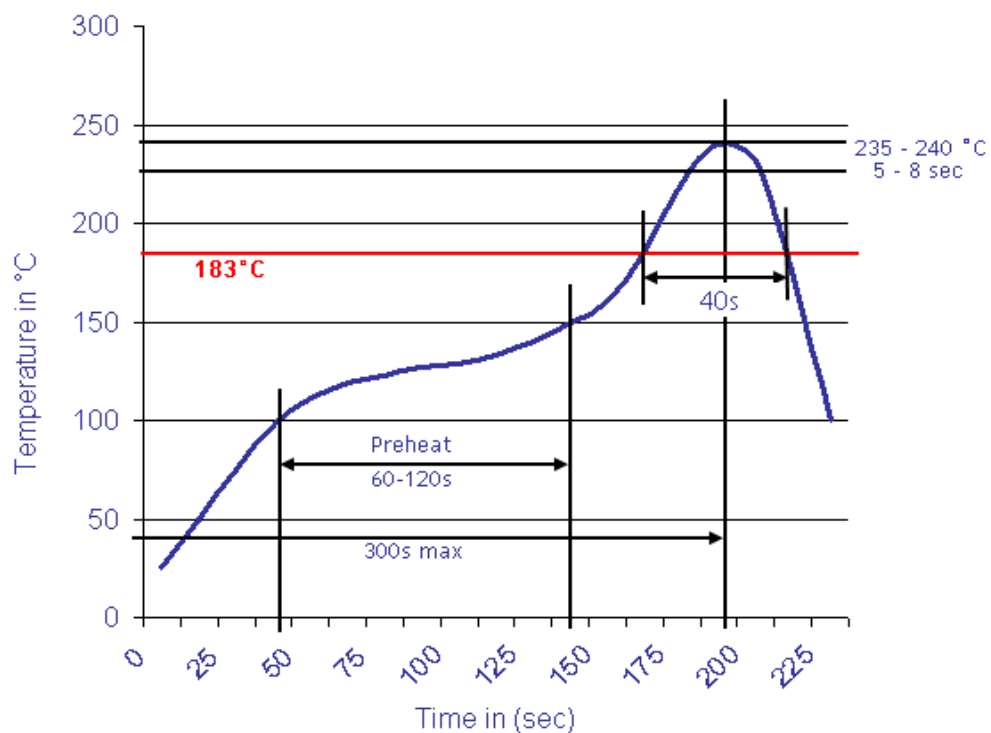
DRW:	Jason	CHKD	<b>Unless Otherwise specified tolerance ( mm)</b>				DATE	28.02.2017
APPD:	Schumi	Mason	X. ± 0,35	X.X ± 0,25	X.XX ± 0,20	X.XXX ± 0,15	Sheet No.	4 from 5



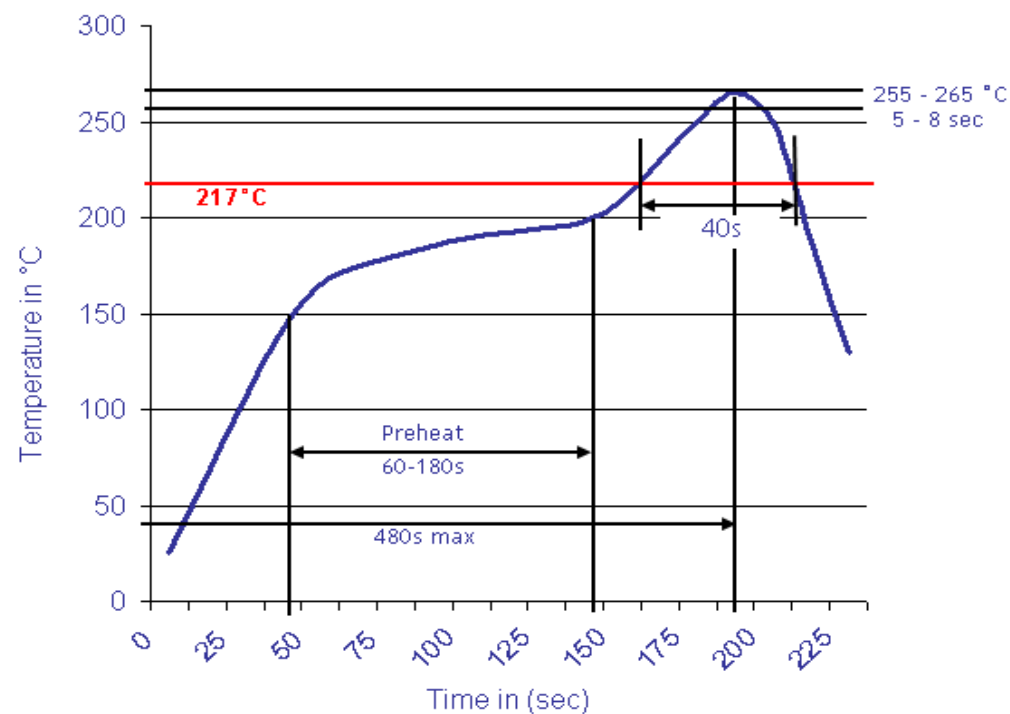
Lead Solder Curve

Lead free Solder Curve

Classification Reflow Profile (JEDEC J-STD-020C)



Classification Reflow Profile (JEDEC J-STD-020C)



**NON-ZIF FFC/FPC Connector  
Pitch 0,5mm Dual-Contact  
Hinged Cover ( Easy On)**

Part No.: **T28H012-**

DRW:	Jason	CHKD	<b>Unless Otherwise specified tolerance ( mm)</b>				DATE	28.02.2017
APPD:	Schumi	Mason	X. ± 0,35	X.X ± 0,25	X.XX ± 0,20	X.XXX ± 0,15	Sheet No.	5 from 5