

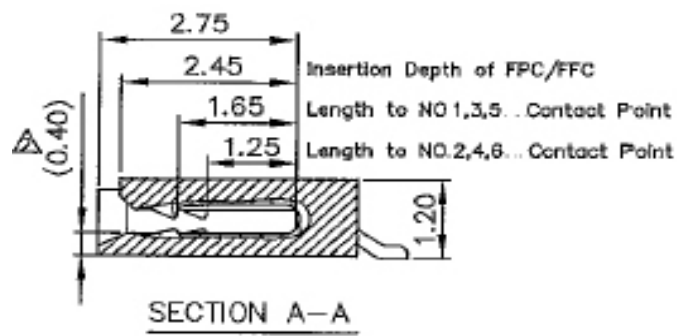
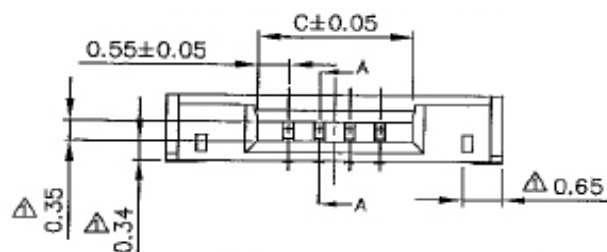
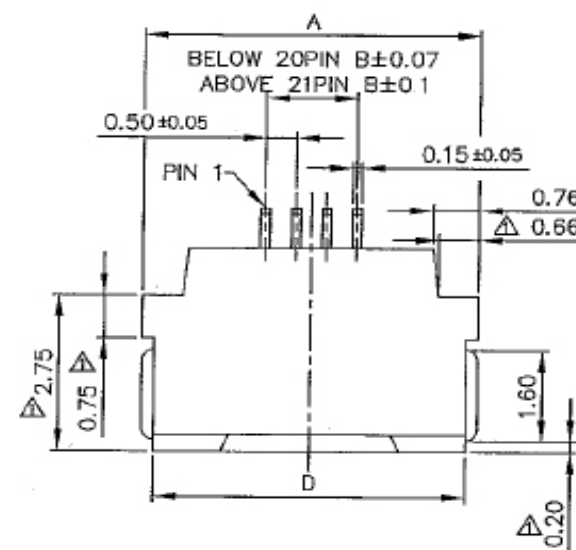
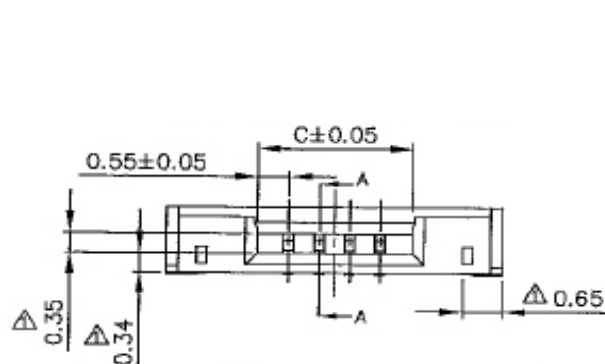
EDCON-COMPONENTS



Specifications

Material Housing	LCP
	Color Natural
Material Latch:	PPS
	Color Black
Terminal:	Phosphor Bronze
Fitting Nail:	Bronze Matte / Tin plated
Plating Finish:	Matt Tin / Gold flash overall
Fitting Nail:	Matt Tin overall
Electrical:	
Current Rating:	0,5A/ VAC/DC
Voltage Rating:	50V AC/DC
Temperature Range:	- 25°C ~ +85°C
Contact Resistance:	<40m Ohm max.
Insulation Resistance:	>500M Ohm min.
Withstanding Voltage:	150V AC/Minute
Relative Humidity:	90% max.

Technical Drawing



**NON-ZIF FFC/FPC Connector
Pitch 0,5mm Dual-Contact**

Part No.: **T28H011-**

DRW:	Jason	CHKD	Unless Otherwise specified tolerance (mm)				DATE	28.02.2017
APPD:	Schumi	Mason	X. ± 0,35	X.X ± 0,25	X.XX ± 0,20	X.XXX ± 0,15	Sheet No.	1 from 5

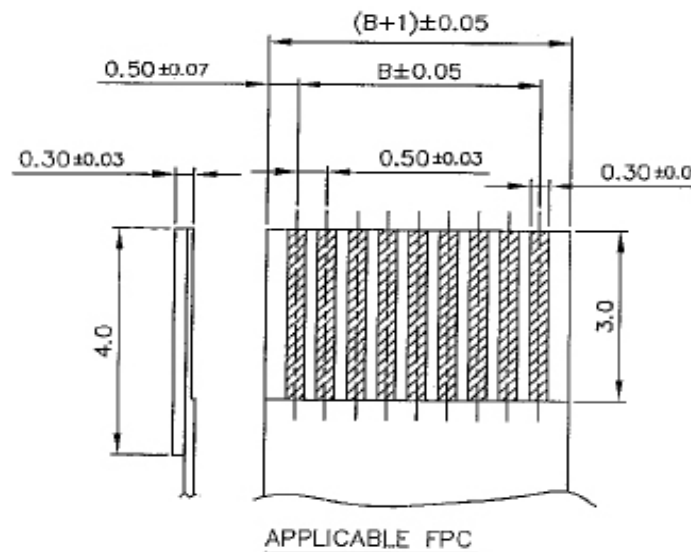
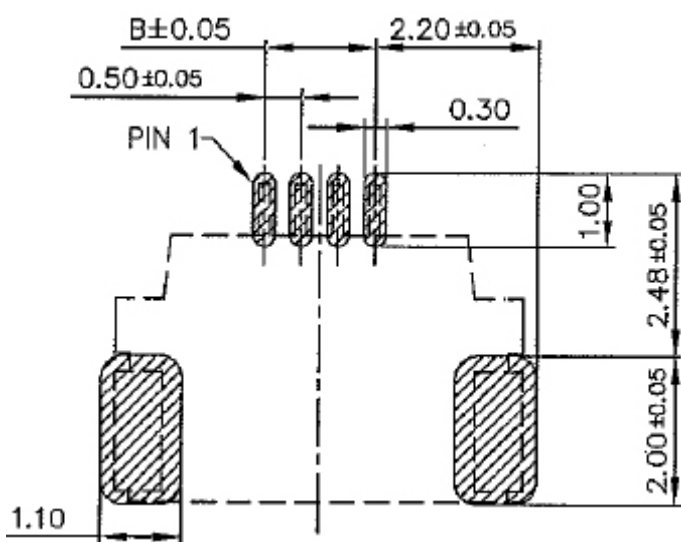
Customer:

EDCON-COMPONENTS



Technical Drawing

PCB Layout



**FFC/FPC Connector Pitch
0,5mm DUAL Contact Back Flip
Type**

Part No.: **T28H011-**

Customer:

DRW:	Jason	CHKD	Unless Otherwise specified tolerance (mm)				DATE	28.02.2017
APPD:	Schumi	Mason	X. ± 0,35	X.X ± 0,25	X.XX ± 0,20	X.XXX ± 0,15	Sheet No.	2 from 5

EDCON-COMPONENTS



Ordering Informations

Serie	No. of Pos.	Construction	Contact Plating	Material	Special function	Special function	ROHS	Packing		
T28H011-	xx	RS	T0	TP	0	0	R	TR		

XX= total		G0 = Gold Flash		0 = No function	0 = No function	N =NON ROHS conform	
		T0 = Tin plated	TP = themoplastic UL94V-0			R =ROHS conform	TU = Tube
		RS = Right angle SMT					TR = Tape Reel Packing

**NON-ZIF FFC/FPC Connector
Pitch 0,5mm Dual-Contact**

Part No.: **T28H011-**

DRW:	Jason	CHKD	Unless Otherwise specified tolerance (mm)				DATE	28.02.2017
APPD:	Schumi	Mason	X. ± 0,35	X.X ± 0,25	X.XX ± 0,20	X.XXX ± 0,15	Sheet No.	4 from 5

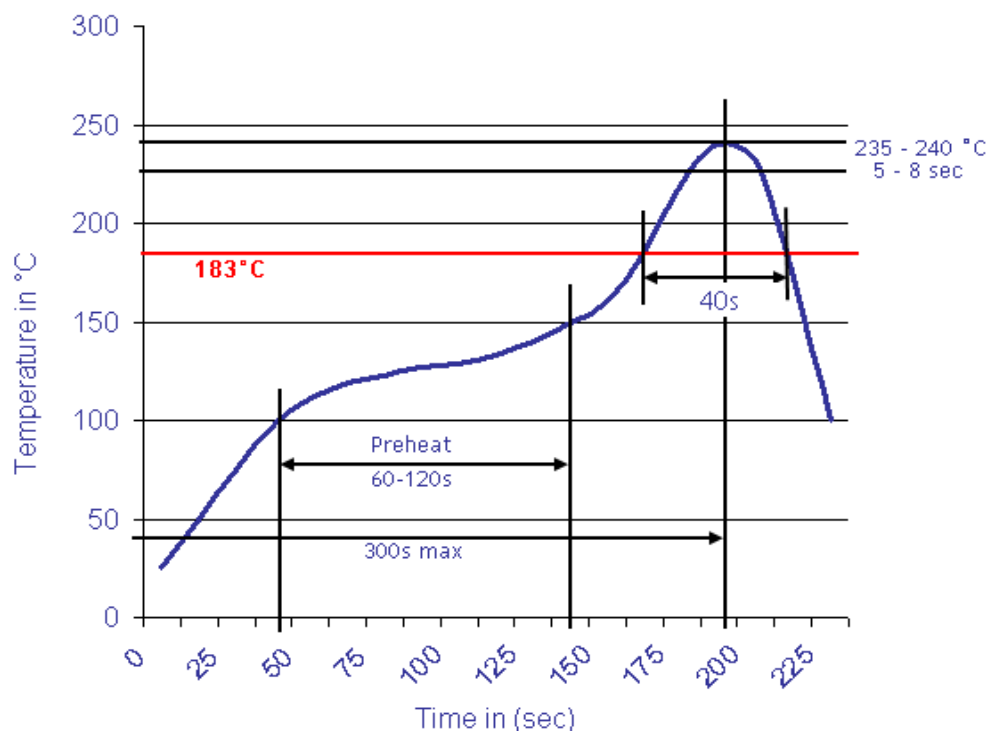
Customer:
email: info@edcon-components.com



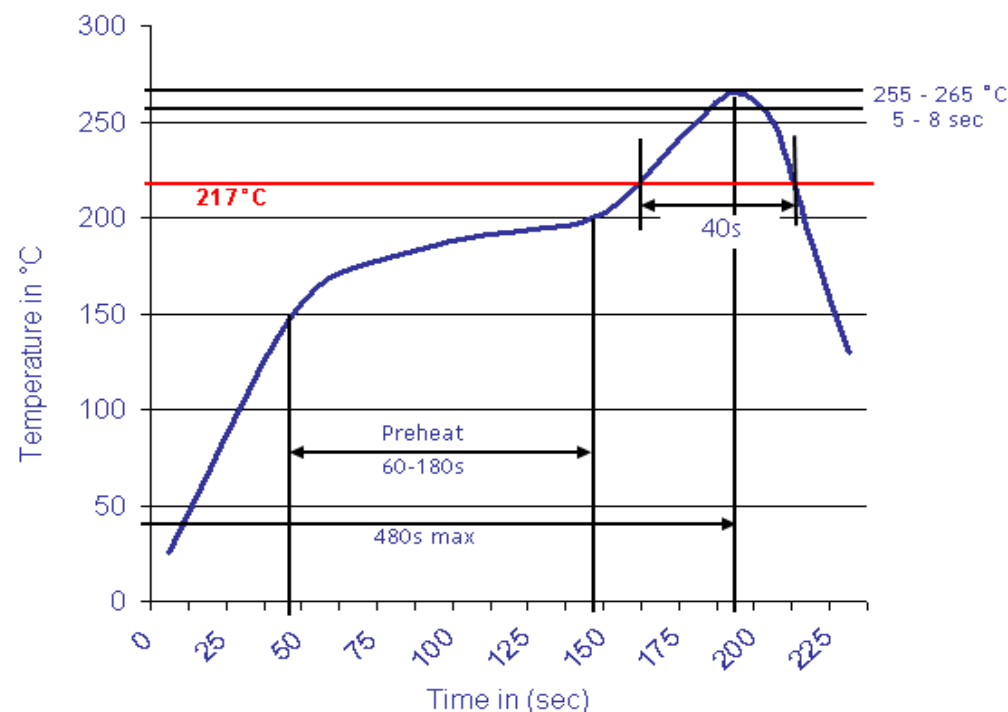
Lead Solder Curve

Lead free Solder Curve

Classification Reflow Profile (JEDEC J-STD-020C)



Classification Reflow Profile (JEDEC J-STD-020C)



**NON-ZIF FFC/FPC Connector
Pitch 0,5mm Dual-Contact**

Part No.: **T28H011-**

DRW:	Jason	CHKD	Unless Otherwise specified tolerance (mm)				DATE	28.02.2017
APPD:	Schumi	Mason	X. ± 0,35	X.X ± 0,25	X.XX ± 0,20	X.XXX ± 0,15	Sheet No.	5 from 5

Customer: