

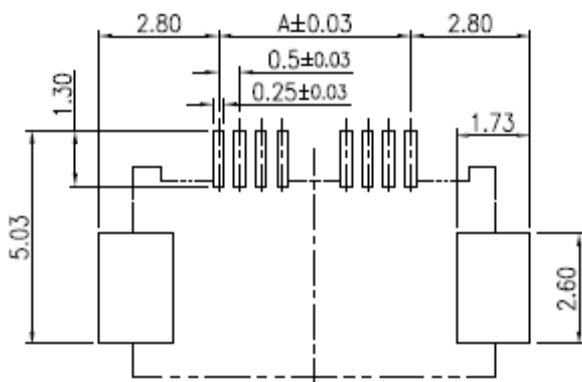
EDCON-COMPONENTS



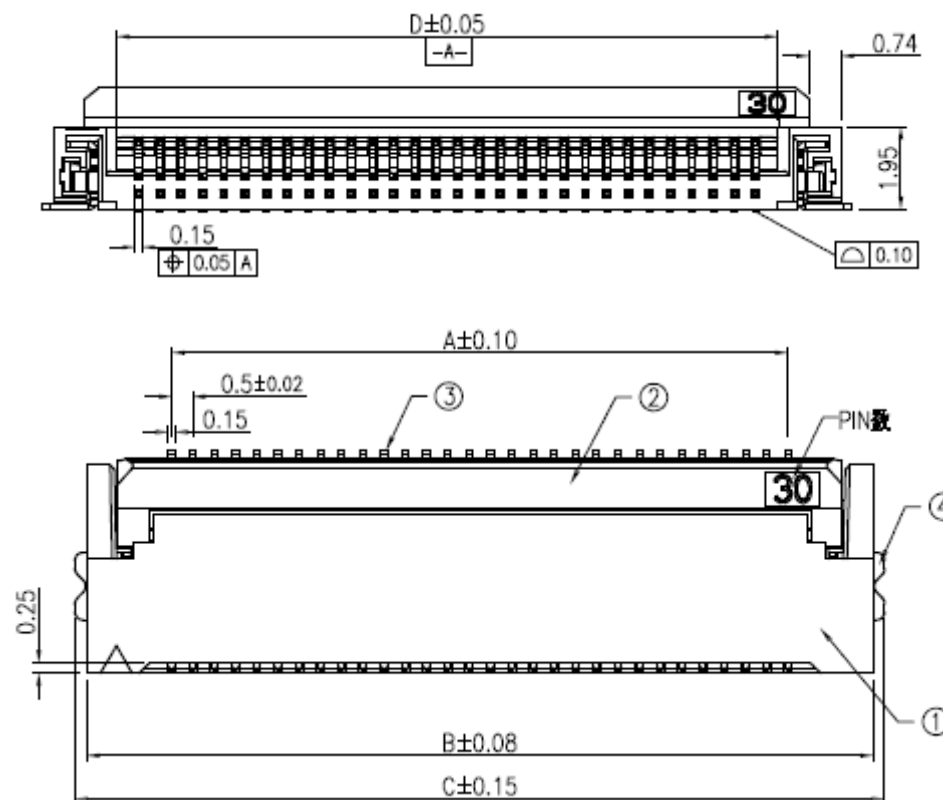
Specifications

Material Housing	Thermoplastic High Temp UL94V-0 Color Natural
Material Latch:	Thermoplastic High Temp UL94V-0 Color Black
Terminal:	Phosphor Bronze
Fitting Nail:	Brass / Tin plated
Plating Finish:	Matt Tin / Gold flash overall
Fitting Nail:	Matt Tin overall
Electrical:	
Current Rating:	0,5A/ VAC/DC
Voltage Rating:	50V AC/DC
Temperature Range:	.- 40°C ~ +105°C
Contact Resistance:	<50m Ohm max.
Insulation Resistance:	>500M Ohm min.
Withstanding Voltage:	150V AC/Minute
Relative Humidity:	90% max.

P.C.B Layout



Drawing



**FFC/FPC Connector Pitch
0,5mm DUAL Contact Back Flip
Type**

Part No.: **T28H008-**

Customer:

DRW:	Jason	CHKD	Wilson	MATL:	Wilson	TOLERANCE	Mason	DATE	28.02.2017
APPD:	Schumi			FINISH	Jamy		Sheet No.		1 from 4

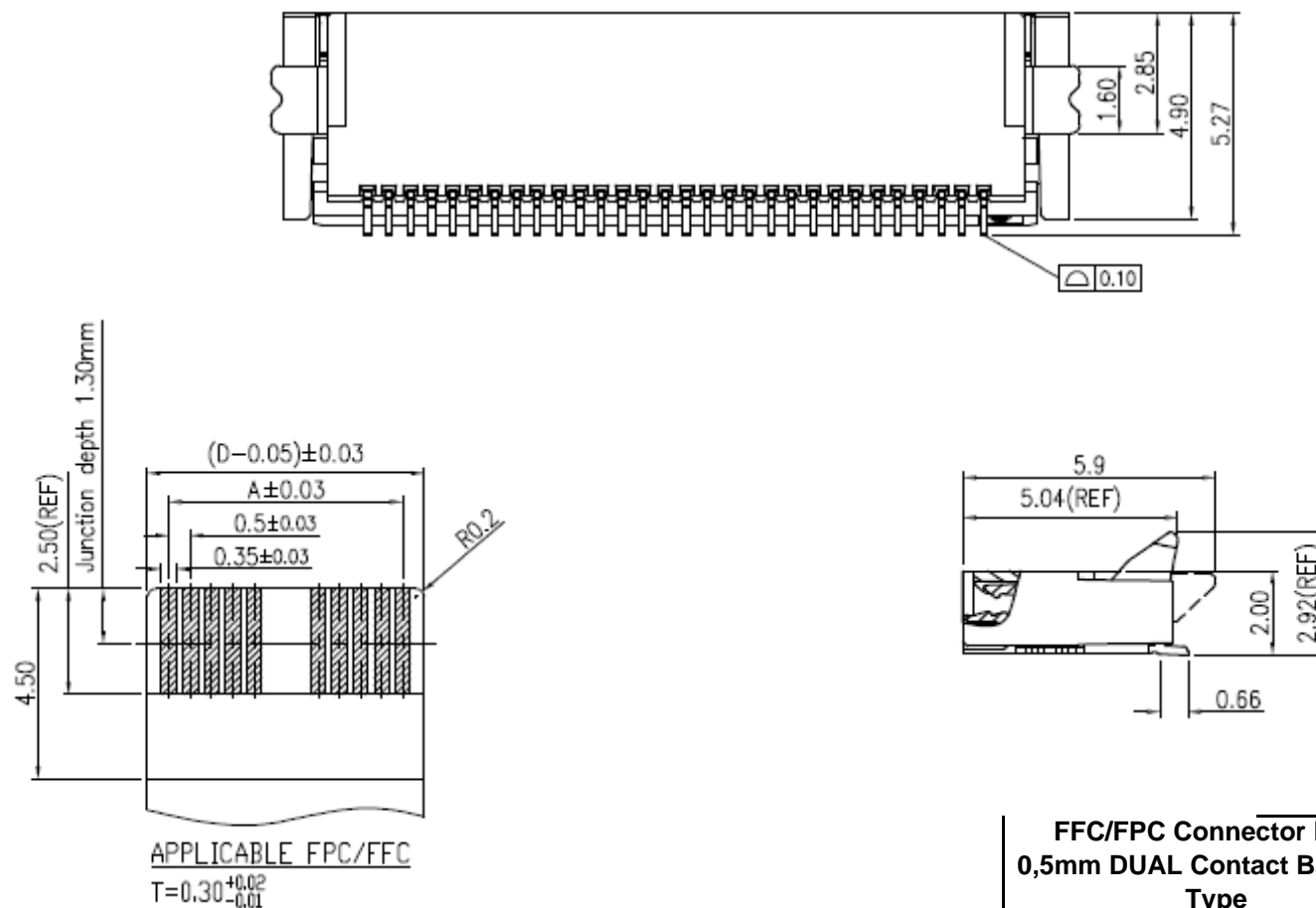
EDCON-COMPONENTS



Pin Code length table free configuration

Drawing

Dimension (mm)					
Pos.	A	B	C	D	
4	1,50	5,50	6,05	2,55	
6	2,50	6,50	7,05	3,55	
8	3,50	7,50	8,05	4,55	
10	4,50	8,50	9,05	5,55	
12	5,50	9,50	10,05	6,55	
24	11,50	15,50	16,05	12,55	
30	14,50	18,50	19,05	15,55	
40	19,50	23,50	24,05	20,55	
45	22,00	26,00	26,55	23,05	
50	24,50	28,50	29,05	25,55	
54	26,50	30,50	31,05	27,55	
60	29,50	33,50	34,05	30,55	



FFC/FPC Connector Pitch 0,5mm DUAL Contact Back Flip Type	
Part No.:	T28H008-
Customer:	

DRW:	Jason	CHKD	Wilson	MATL:	Wilson	TOLERANCE	Mason	DATE	28.02.2017
APPD:	Schumi			FINISH	Jamy			Sheet No.	2 from 4

EDCON-COMPONENTS



Ordering Informations

Serie	No. of Pos.	Construction	Contact Plating	Material	Special function	Special function	ROHS	Packing		
T28H008-	xx	RS	T0	TP	0	0	R	TR		

XX= total		G0 = Gold Flash		0 = No function	0 = No function	N =NON ROHS conform	
		T0 = Tin plated	TP = themoplastic UL94V-0			R =ROHS conform	TU = Tube
		RS = Right angle SMT					TR = Tape Reel Packing

**FFC/FPC Connector Pitch
0,5mm DUAL Contact Back Flip
Type**

Part No.: **T28H008-**

DRW:	Jason	CHKD	Wilson	MATL:	Wilson	TOLERANCE	Mason	DATE	28.02.2017
APPD:	Schumi			FINISH	Jamy		Sheet No.		3 from 4

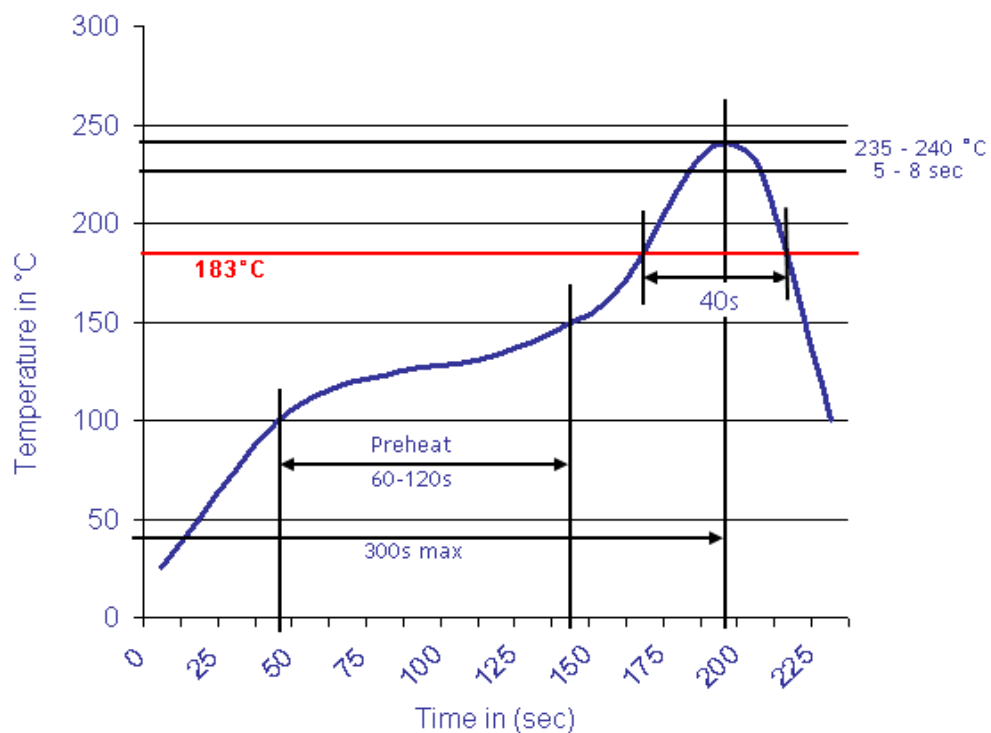
Customer:



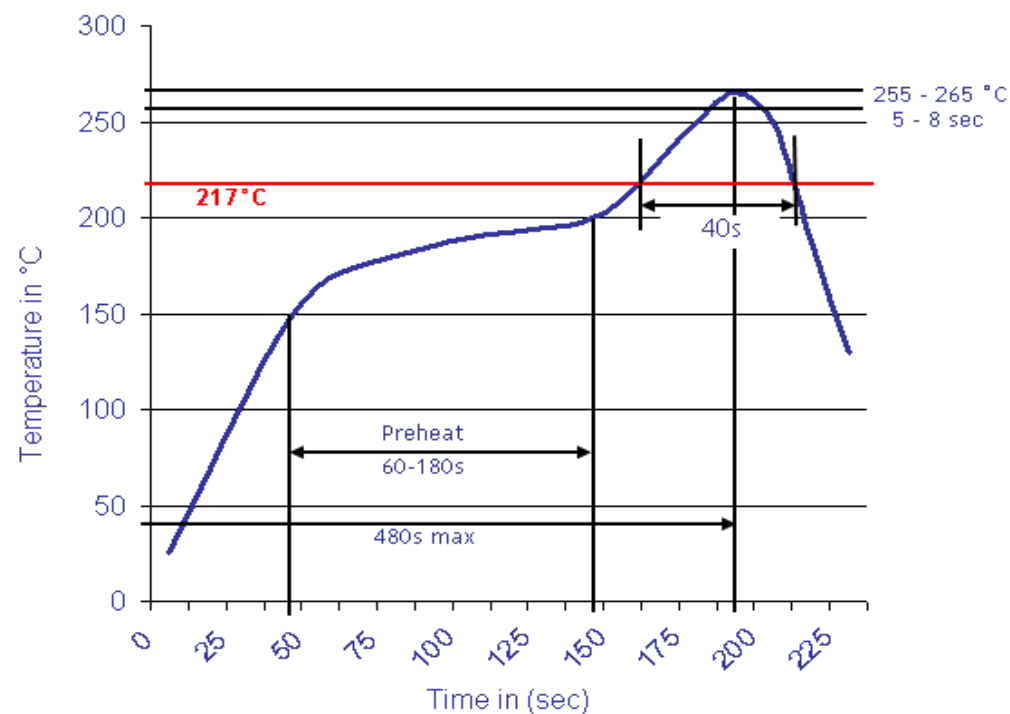
Lead Solder Curve

Lead free Solder Curve

Classification Reflow Profile (JEDEC J-STD-020C)



Classification Reflow Profile (JEDEC J-STD-020C)



**FFC/FPC Connector Pitch
0,5mm DUAL Contact Back Flip
Type**

Part No.: **T28H008-**

DRW:	Jason	CHKD	Wilson	MATL:	Wilson	TOLERANCE	Mason	DATE	28.02.2017
APPD:	Schumi			FINISH	Jamy		Sheet No.	4 from 4	Customer: