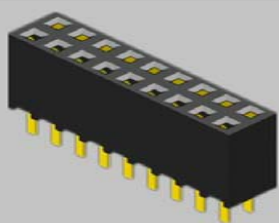


# EDCON-COMPONENTS



**Contact**

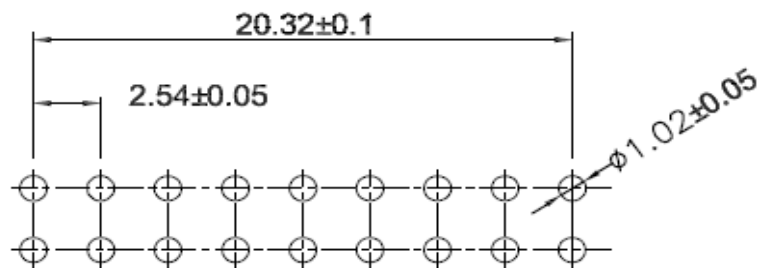


## Specifications

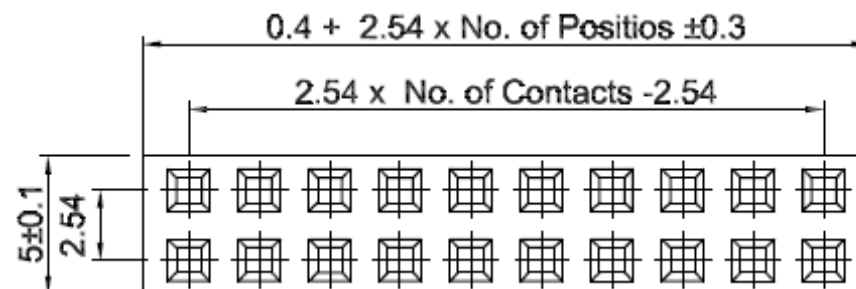
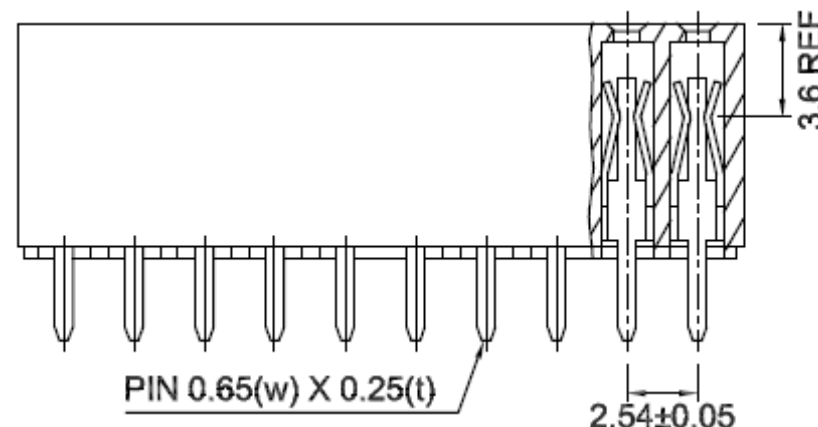
Current Rating: 3,0 Ampere  
 Insulator Resistance: 5000 Megaohm min.  
 Contact Resistance: 20m Ohm max.  
 Dielectric Withstanding: AC 500V  
 Operating Temperature: -65°C to +125°C  
 Contact Material: Brass  
 Insulator Material: PBT, UL94V0

Contact Plating: Tin, Gold or Selective Plated  
 Standard: Gold Flash Overall

## PCB Layout



## Technical Drawing



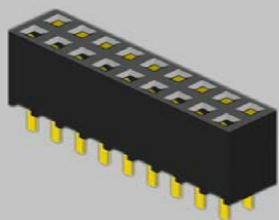
**THT Dual Row Female Header Pitch 2,54mm**

Part No.: **T27A1192-**

Customer:

DRW:	Jason	CHKD	Wilson	MATL:	Wilson	TOLERANCE	Mason	DATE	03.10.2017
APPD:	Schumi			FINISH	Jamy		Sheet No.	1 from 4	

# EDCON-COMPONENTS

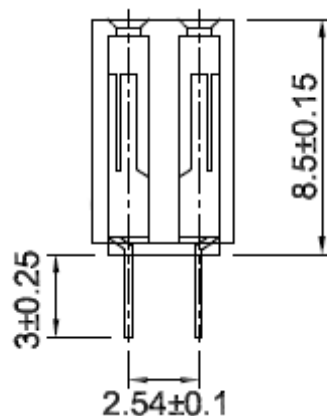


**Contact**



## Technical Drawing

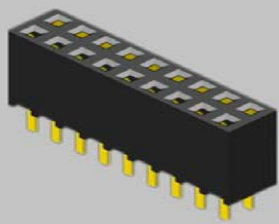
Table No.1			
Order Code	Dimension (mm)		
	A		
A01	3,00		
A02			
A03			
A04			
A05			
A06			
A07			
A08			
A09			
A10			
A11			
A12			
A13			
A14			
A15			
A16			
A17			
A18			
A19			
A20			
A21			
A22			



<b>THT Dual Row Female Header Pitch 2,54mm</b>	
Part No.:	<b>T27A1192-</b>
Customer:	

DRW:	Jason	CHKD	Wilson	MATL:	Wilson	TOLERANCE	Mason	DATE	03.10.2017
APPD:	Schumi			FINISH	Jamy		Sheet No.	2 from 4	

# EDCON-COMPONENTS



**Contact**



## Ordering Informations

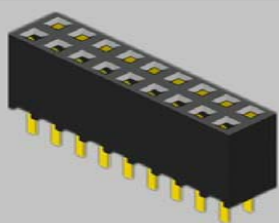
Serie	No. of Pos.	Construction	Contact Plating	Material	Special Function	Pin Length Code	ROHS	Packing		
<b>T27A1192-</b>	<b>xx</b>	<b>ST</b>	<b>G0</b>	<b>PB</b>	<b>N</b>	<b>A01</b>	<b>R</b>	<b>BU</b>		

<b>04 ~ 80 Pos.</b>	<b>ST=</b> Straight THT	<b>G0=</b> Gold Flash (Standard)	<b>PB=</b> PBT	<b>N=</b> No special function	look Table No. 1	<b>N=</b> NO ROHS conform	<b>BU=</b> Bulk (Standard)
		<b>T0=</b> Tin plated	<b>P6=</b> PA 6T			<b>R=</b> ROHS conform	<b>TU=</b> Tube w/o Cap
		<b>GA=</b> 3µ Gold Plating	<b>LC=</b> LCP				<b>TC=</b> Tube w. pic and Place Cap
		<b>GB=</b> 5µ Gold Plating	<b>PA=</b> PA-46				<b>TY=</b> Tray packing w/o Cap
		<b>GC=</b> 10µ Gold Plating	<b>P9=</b> PA 9T				<b>TR=</b> Tape/Reel w. pic and Place Cap
		<b>GC=</b> 15µ Gold Plating					
		<b>GC=</b> 30µ Gold Plating					

<b>THT Dual Row Female Header Pitch 2,54mm</b>	
Part No.:	<b>T27A1192-</b>
Customer:	

DRW:	Jason	CHKD	Wilson	MATL:	Wilson	TOLERANCE	Mason	DATE	03.10.2017
APPD:	Schumi			FINISH	Jamy		Sheet No.		3 from 4

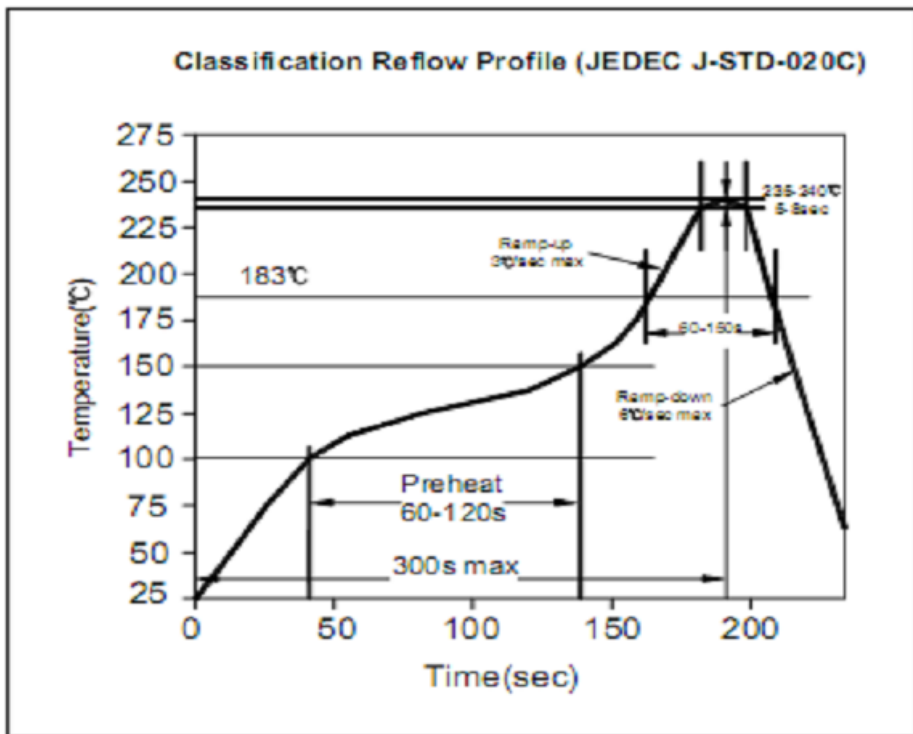
# EDCON-COMPONENTS



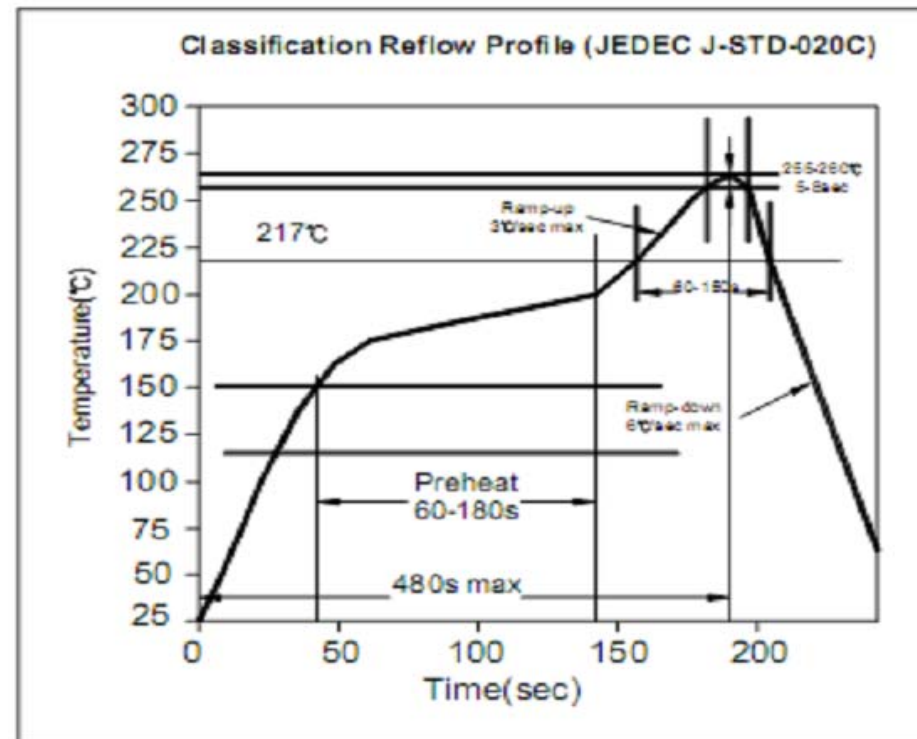
**Contact**



## Soldering Profile for Lead Soldering ( P.B.T. )



## Soldering Profile for Lead Free Soldering ( PA6T )



**THT Dual Row Female Header Pitch 2,54mm**

Part No.: **T27A1192-**

DRW:	Jason	CHKD	Wilson	MATL:	Wilson	TOLERANCE	Mason	DATE	03.10.2017
APPD:	Schumi			FINISH	Jamy		Sheet No.	4 from 4	Customer:

[www.edcon-components.com](http://www.edcon-components.com)

email: [info@edcon-components.com](mailto:info@edcon-components.com)