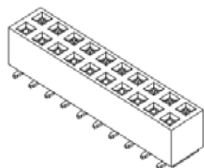


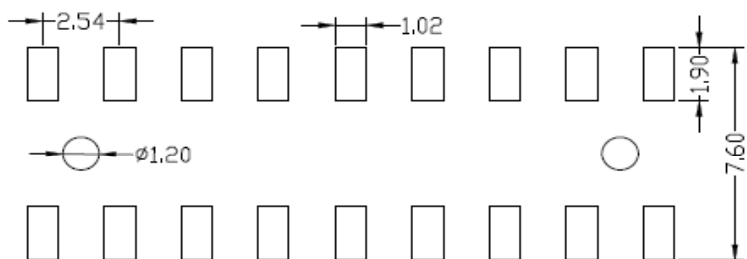
EDCON-COMPONENTS



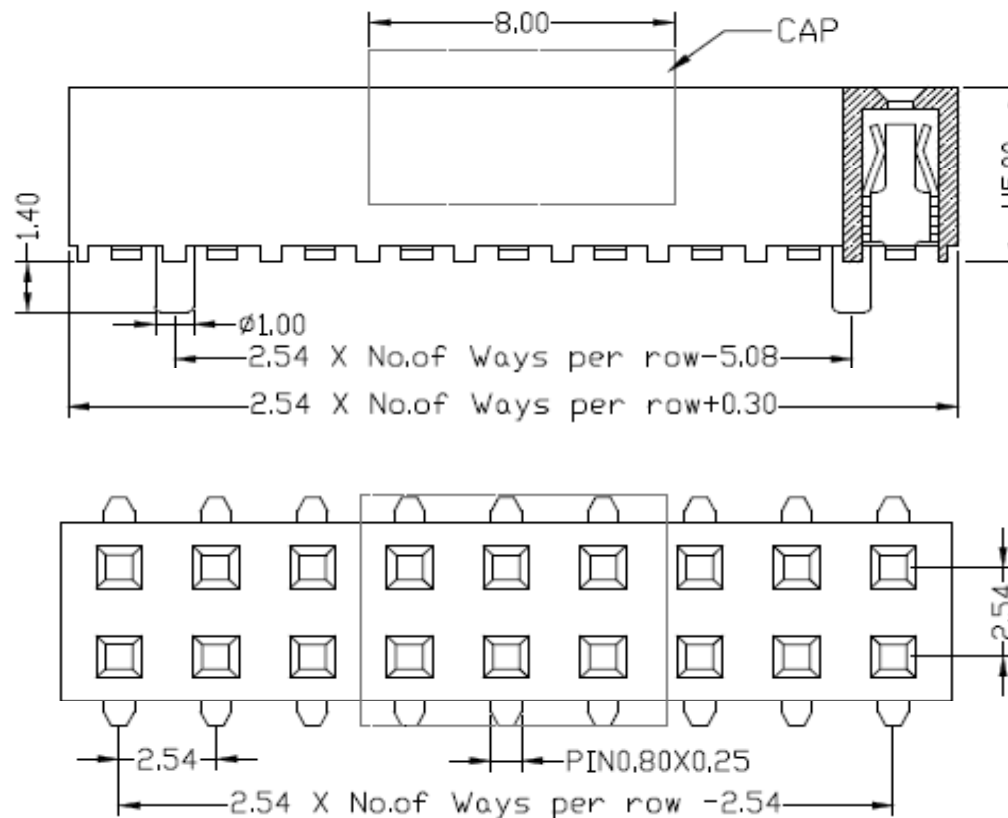
Specifications

Current Rating:	3 Ampere
Insulator Resistance:	5000 Megaohm min.
Contact Resistance	20m Ohm max.
Dielectric Withstanding:	AC 500V
Operating Temperature:	-.65°C to +125°C
Contact Material:	Brass
Insulator Material:	PBT, UL94V-0
Standard:	
Contact Plating:	Tin, Gold or Selective Plated
Standard:	Gold Flash Overall

P.C.B Layout



Drawing

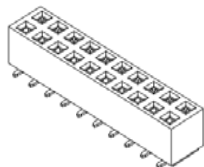


**Female Header Pitch
2,54mm Height 5,0mm**

Part No.: **T27A1089-**

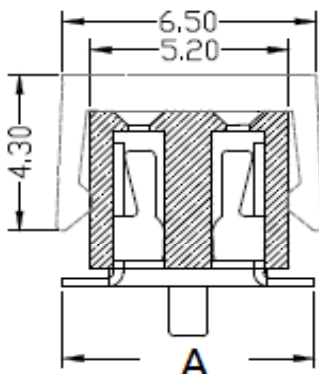
DRW:	Jason	CHKD	Wilson	MATL:	Wilson	TOLERANCE	Mason	DATE	28.04.2017
APPD:	Schumi			FINISH	Jamy		Sheet No.	1 from 4	Customer:

EDCON-COMPONENTS

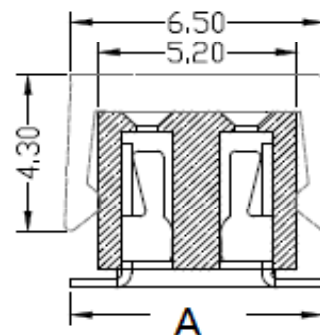


Pin Code length table free configuration

Order Code	Dimension (mm)			
	A			
A01	6,60			
A02				
A03				
A04				
A05				
A06				
A07				
A08				
A09				
A10				
A11				
A12				
A13				
A14				
A15				
A16				
A17				
A18				
A19				
A20				
A21				
A22				



Y= with Locating Peg



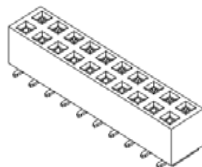
N= w/o Locating Peg

**Female Header Pitch
2,54mm Height 5,0mm**

Part No.: **T27A1089-**

DRW:	Jason	CHKD	Wilson	MATL:	Wilson	TOLERANCE	Mason	DATE	28.04.2017
APPD:	Schumi			FINISH	Jamy		Sheet No.	2 from 4	Customer:

EDCON-COMPONENTS



Ordering Informations

Serie	No. of Pos.	Construction	Contact Plating	Material	Locating Peg	Pin Length Code	ROHS	Packing		
T27A1089-	XX	SS	G0	PB	Y	A01	R	BU		

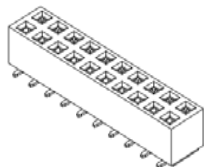
04 ~ 80Pos.	SS= Straight SMD	G0= Gold Flash (Standard)	PB= P.B.T	N= No	look Table No. 1	N= NO ROHS conform	BU= Bulk (Standard)
		T0= Tin plated	NY= Nylon-6T	Y= Yes		R= ROHS conform	TU= Tube w/o Cap
		GA= 10µ Gold Plating	PA= PA-46			TC= Tube w. pic and Place Cap	
		GB= 15µ Gold Plating	LC= LCP			TY= Tray packing w/o Cap	
		GC= 20µ Gold Plating				TR= Tape/Reel w. pic and Place Cap	
		S0= Selectiv Plating Gold Flash / Tin					

**Female Header Pitch
2,54mm Height 5,0mm**

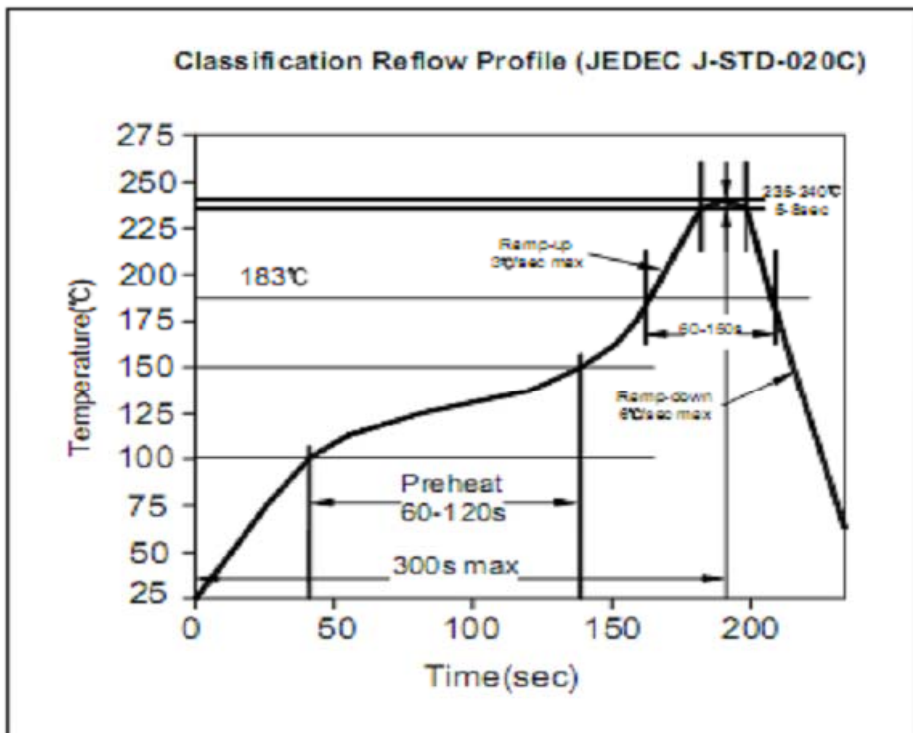
Part No.: **T27A1089-**

DRW:	Jason	CHKD	Wilson	MATL:	Wilson	TOLERANCE	Mason	DATE	28.04.2017
APPD:	Schumi			FINISH	Jamy		Sheet No.		3 from 4

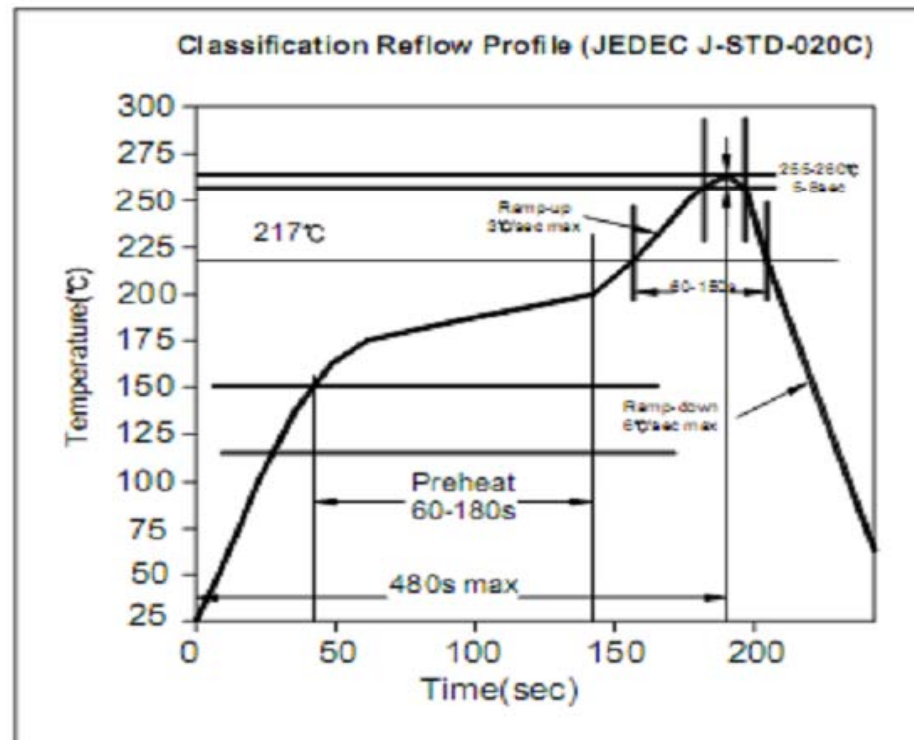
Customer:



Soldering Profile for Lead Soldering (P.B.T.)



Soldering Profile for Lead Free Soldering (Nylon 6T)



**Female Header Pitch
2,54mm Height 5,0mm**

Part No.: **T27A1089-**

DRW:	Jason	CHKD	Wilson	MATL:	Wilson	TOLERANCE	Mason	DATE	28.04.2017
APPD:	Schumi			FINISH	Jamy		Sheet No.	4 from 4	Customer: