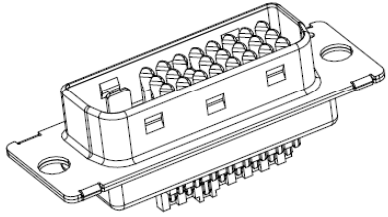
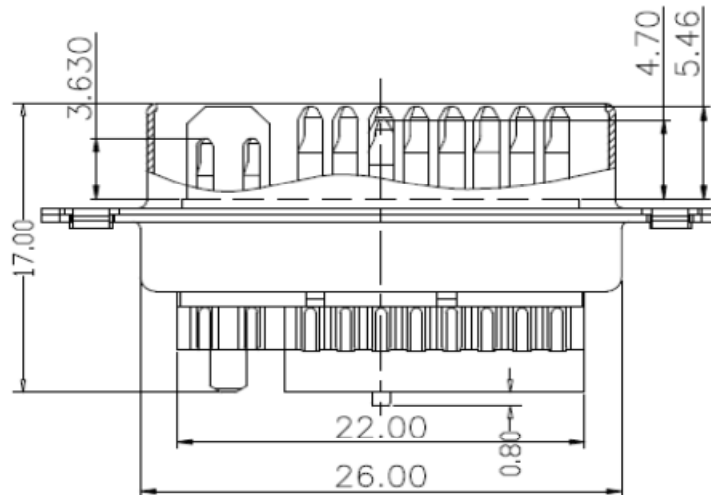
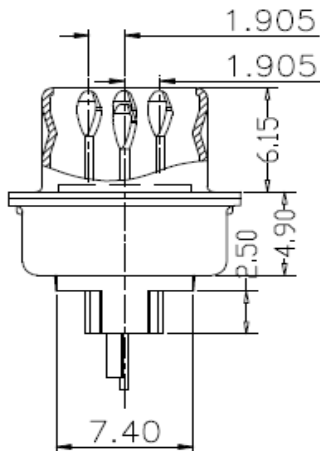
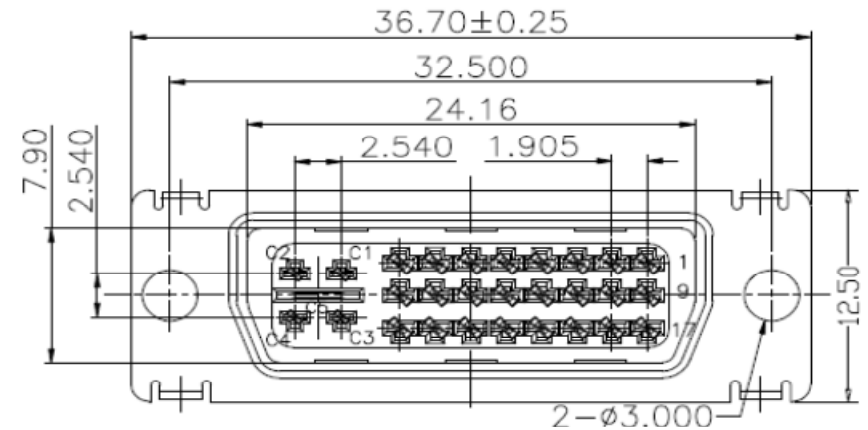


EDCON-COMPONENTS



Technical Discription

Temperature Range:	-20°C ~ +85°C
Rated Load	DC40V 1,5A
Contact Resistance:	≤ 0,03 Ω
Insulation Resistance:	≥ 1000M Ω
Withstanding Voltage:	AC 500V / 50Hz) 1 min.
Insertion and Extraction Force:	5 ~ 30N
Lifetime:	1000 cycles
Contact Material:	Brass or Bronze
Housing:	Thermoplastic UL-9\$V-0
Shell:	SPCC Zinc Alloy Nickel Plating all Area
Contact:	Gold over Nickel



**DVI-Connector Male
Solder Cup**

Part No.: **T26012-**

Customer:

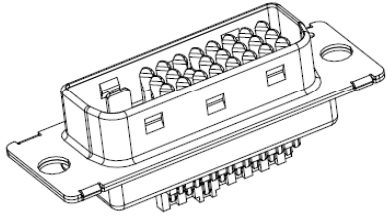
DRW:	Jason	CHKD	Wilson	MATL:	Wilson	TOLERANCE	Mason	DATE	22.10.2018
APPD:	Schumi			FINISH	Jamy		Sheet No.		1 from 4

www.edcon-components.com

email: info@edcon-components.com

Copyright by S.Tiede
Copyright by S.Tiede

EDCON-COMPONENTS



Ordering Informations

Serie	Pos.	Contact Plating	Color Inside Plastic	Special Function	Special Function	Special Function	ROHS	Packing		
T26012-	29	G0	BK	0	0	0	R	TY		

25= 24+4+1Pos.	G0 = Gold flash plat.	WH = White				R= ROHS Conform	TY= Tray Package
	G1 = 3µ Gold plat.	BK = Black				R= ROHS Conform	BU= Bulk Ware
	G2 = 5µ Gold plat.	RD = Red					
	G3 = 10µ Gold plat.						
	G4 = 15µ Gold plat.						
	G5 = 30µ Gold plat.						

DVI-Connector Male Solder Cup

Part No.: **T26012-**

Customer:

DRW:	Jason	CHKD	Wilson	MATL:	Wilson	TOLERANCE	Mason	DATE	22.10.2018
APPD:	Schumi			FINISH	Jamy		Sheet No.		3 from 4