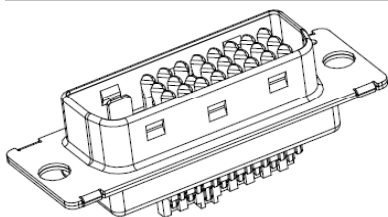
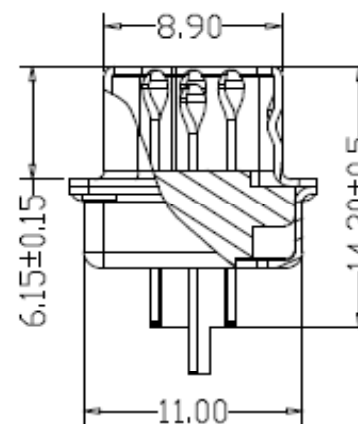
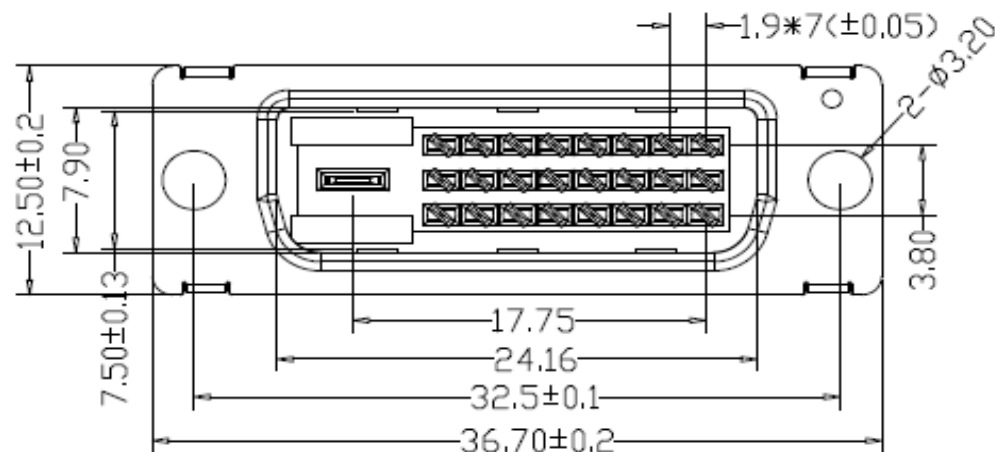
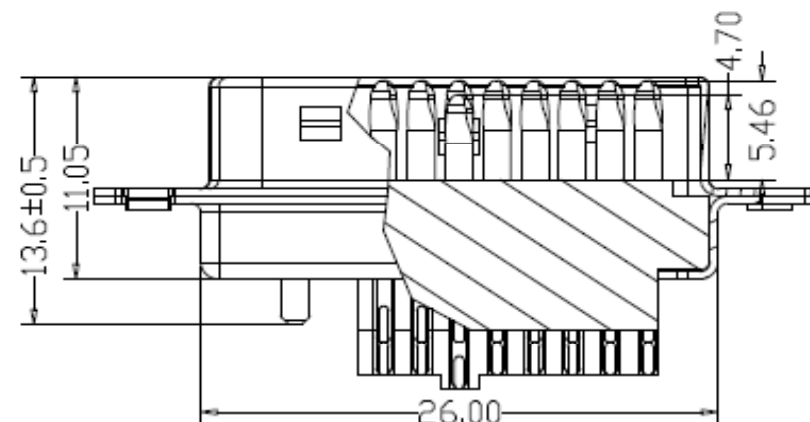


# EDCON-COMPONENTS



## Technical Discription

Temperature Range:	-20°C ~ +85°C
Rated Load	DC40V 1,5A
Contact Resistance:	≤ 0,03 Ω
Insulation Resistance:	≥ 1000M Ω
Withstanding Voltage:	AC 500V / 50Hz) 1 min.
Insertion and Extraction Force:	5 ~ 30N
Lifetime:	1000 cycles
Contact Material:	Brass or Bronze
Housing:	Thermoplastic UL-95V-0
Shell:	SPCC Zinc Alloy Nickel Plating all Area
Contact:	Gold over Nickel

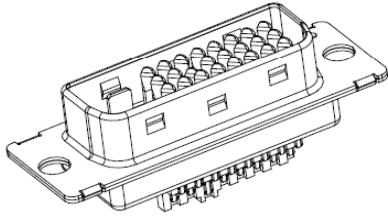


### DVI-Connector Male Solder Cup

Part No.: T26011-

Customer:

DRW:	Jason	CHKD	Wilson	MATL:	Wilson	TOLERANCE	Mason	DATE	16.11.2017
APPD:	Schumi			FINISH	Jamy		Sheet No.		1 from 4



**Ordering Informations**

Serie	Pos.	Contact Plating	Color Inside Plastic	Special Function	Special Function	Special Function	ROHS	Packing		
<b>T26011-</b>	<b>25</b>	<b>G0</b>	<b>WH</b>	<b>0</b>	<b>0</b>	<b>0</b>	<b>R</b>	<b>TY</b>		

<b>25=</b> 24+1Pos.	<b>G0</b> = Gold flash plat.	<b>WH</b> = White				<b>R=</b> ROHS Conform	<b>TY=</b> Tray Package
	<b>G1</b> = 3µ Gold plat.	<b>BK</b> = Black				<b>R=</b> ROHS Conform	<b>BU=</b> Bulk Ware
	<b>G2</b> = 5µ Gold plat.	<b>RD</b> = Red					
	<b>G3</b> = 10µ Gold plat.						
	<b>G4</b> = 15µ Gold plat.						
	<b>G5</b> = 30µ Gold plat.						

**DVI-Connector Male Solder Cup**

Part No.: **T26011-**

DRW:	Jason	CHKD	Wilson	MATL:	Wilson	TOLERANCE	Mason	DATE	16.11.2017
APPD:	Schumi			FINISH	Jamy		Sheet No.		3 from 4

Customer:

