

EDCON-COMPONENTS



Specifications

Features

Contact Positions: 09, 15, 25, 37Pos
 IDC Type for Flatcable with Pitch 1,27mm
 Optional plating available

Shell discription (not combination Metal with plastic Shell)

Strain Relief discription: (only Metall strain relief)

Materials

Contact Brass and Phosphor Bronze
 Housing: PBT +30% Glass Fiber (UL 94V-0)
 Shell: cold roller steel

Electrical Characteristics

Current Rating: 2,5Ampere
 Withstanding Voltage: AC 1000V r.m.s.
 Insulation Resistance: 3000 Megaohms Minimum at DC500V
 Contact Resistance: 15 Milliohm Maximum
 Operation Temperature: -55°C ~ +105°C

Mechanical Characteristics:

Contact Resistance Force: 341gr. Maximum
 Contact Separation Force: 20gr. Minimum

Finishes:

Contact Plating (look Order Code)
 Shell Plating (look order code)

Dimensions (mm)

Male

Dim.	9	15	25	37
A	24,99	33,32	47,04	63,50
B	30,80	39,10	53,09	69,04
C	11,08	19,39	33,24	49,86
D	8,31	16,62	30,47	47,09
E	16,10	24,00	38,14	54,60
F	18,60	26,60	40,90	57,10
H	16,92	25,25	38,96	55,42

Female

Dim.	9	15	25	37
A	30,80	39,20	53,05	69,40
B	25,00	33,30	47,05	63,50
C	16,30	24,60	38,35	54,80

**D-Sub Connector I.D.C. for
 Flatcable Pitch 1,27mm only
 Metal Flansch**

Part No.: **T24G400**

DRW:	Jason	CHKD	Wilson	MATL:	Wilson	TOLERANCE	Mason	DATE	08.05.2015	Customer:
APPD:	Schumi			FINISH	Jamy		Sheet No.	1 from 4		

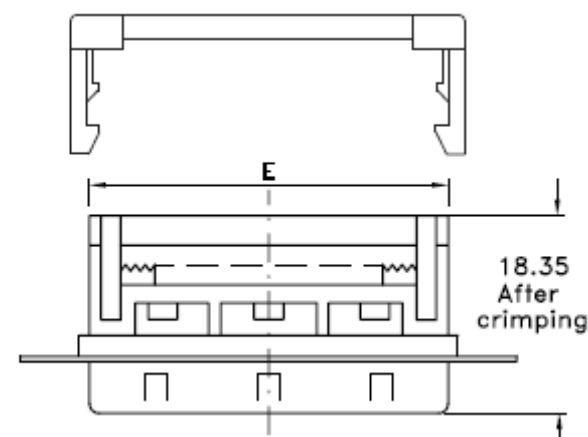
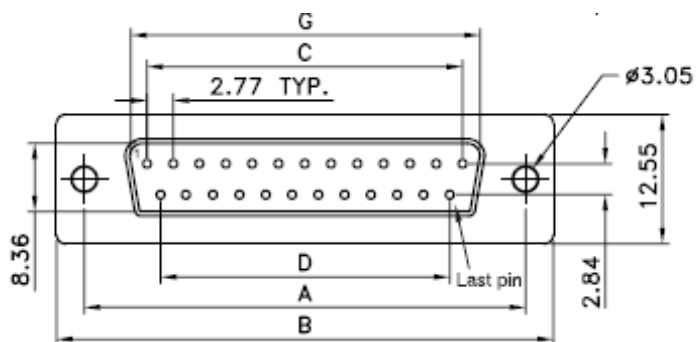
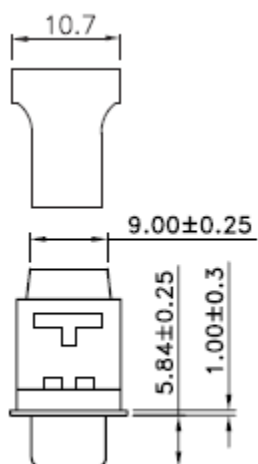
www.edcon-components.com

email: info@edcon-components.com

EDCON-COMPONENTS



Male Contact



**D-Sub Connector I.D.C. for
Flatcable Pitch 1,27mm only
Metal Flansch**

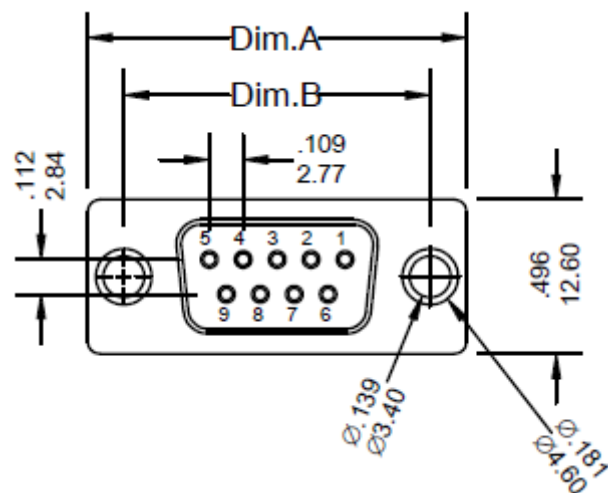
Part No.: **T24G400**

DRW:	Jason	CHKD	Wilson	MATL:	Wilson	TOLERANCE	Mason	DATE	08.05.2015
APPD:	Schumi			FINISH	Jamy		Sheet No.	2 from 4	

Customer:



Female Contact



**D-Sub Connector I.D.C. for
Flatcable Pitch 1,27mm only
Metal Flansch**

Part No.: **T24G400**

DRW:	Jason	CHKD	Wilson	MATL:	Wilson	TOLERANCE	Mason	DATE	08.05.2015
APPD:	Schumi			FINISH	Jamy		Sheet No.	3 from 4	

Customer:

EDCON-COMPONENTS



Ordering Informations

Serie	No. of contacts.	Contact Type	Shell Finish	Mounting Options	Strain Relief	Options 2	Contact Plating	Plastic Color	ROHS	Packing
T24G400	09	M	T	A	0	0	SF	BL	R	TY

09= Contacts	M= Male	T= Tin	A= trough hole	0= w/o plastic strain relief	0= no options	SF= Selective Gold flash	BK= Black	R= ROHS Conform	TY= Tray Packing
09 ~ 37 contacts	F= Female		A= with metal strain relief			GF= Gold flash	BL= Blue	N= NON ROHS Conform	BU= Bulk-Ware
						SD= 30µ Selective Gold flash	GY= Gray		

D-Sub Connector I.D.C. for Flatcable Pitch 1,27mm only Metal Flansch
 Part No.: **T24G400**
 Customer:

DRW:	Jason	CHKD	Wilson	MATL:	Wilson	TOLERANCE	Mason	DATE	08.05.2015
APPD:	Schumi			FINISH	Jamy		Sheet No.		4 from 4

