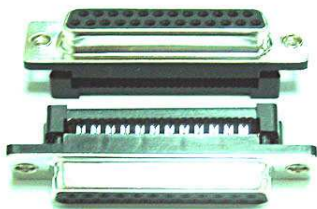


# EDCON-COMPONENTS



## Specifications

### Features

Contact Positions: 09, 15, 25, 37Pos  
 IDC Type for Flatcable with Pitch 1,27mm  
 Optional plating available

### Materials

Contact Brass and Phosphor Bronze  
 Housing: PBT +30% Glass Fiber (UL 94V-0)  
 Shell: cold roller steel

### Electrical Characteristics

Current Rating: 2,5Ampere  
 Withstanding Voltage: AC 1000V r.m.s.  
 Insulation Resistance: 3000 Megaohms Minimum at DC500V  
 Contact Resistance: 15 Milliohm Maximum  
 Operation Temperature: -55°C ~ +105°C

### Mechanical Characteristics:

Contact Resistance Force: 341gr. Maximum  
 Contact Separation Force: 20gr. Minimum

### Finishes:

Contact Plating ( look Order Code)  
 Shell Plating ( look order code)

### Dimensions (mm)

#### Male

Dim.	9	15	25	37	
A	30,80	39,20	53,05	69,40	
B	25,00	33,30	47,05	63,50	
C	16,90	25,25	38,95	55,40	

#### Female

Dim.	9	15	25	37	
A	30,80	39,20	53,05	69,40	
B	25,00	33,30	47,05	63,50	
C	16,30	24,60	38,35	54,80	

**D-Sub Connector I.D.C. for  
Flatcable Pitch 1,27mm**

Part No.: **T24G300**

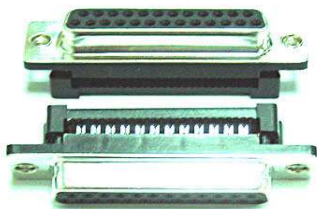
DRW:	Jason	CHKD	Wilson	MATL:	Wilson	TOLERANCE	Mason	DATE	10.04.2009
APPD:	Schumi			FINISH	Jamy		Sheet No.		1 from 4

Customer:

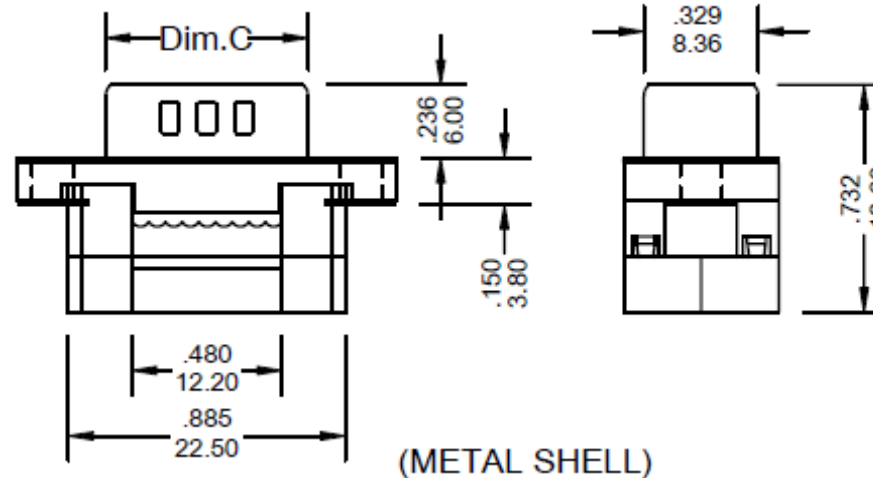
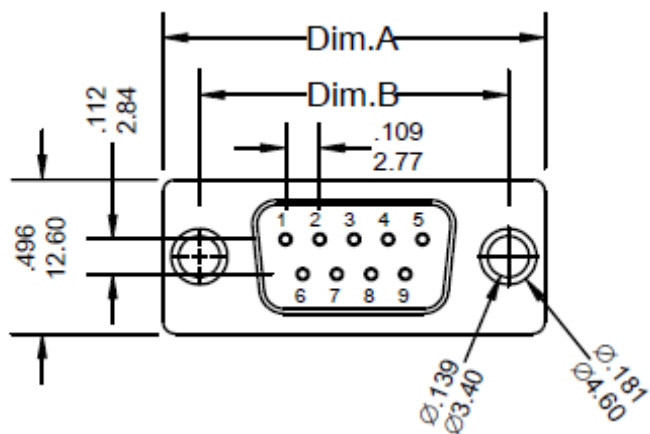
[www.edcon-components.com](http://www.edcon-components.com)

email: [info@edcon-components.com](mailto:info@edcon-components.com)

# EDCON-COMPONENTS



## Male Contact



**D-Sub Connector I.D.C. for  
Flatcable Pitch 1,27mm**

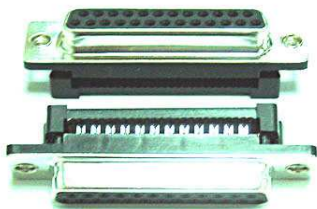
Part No.: **T24G300**

DRW:	Jason	CHKD	Wilson	MATL:	Wilson	TOLERANCE	Mason	DATE	10.04.2009
APPD:	Schumi			FINISH	Jamy		Sheet No.	2 from 4	Customer:

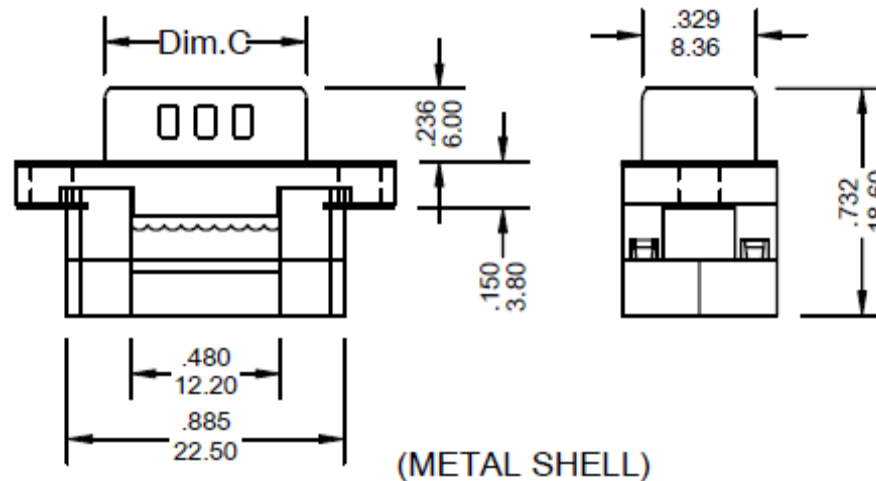
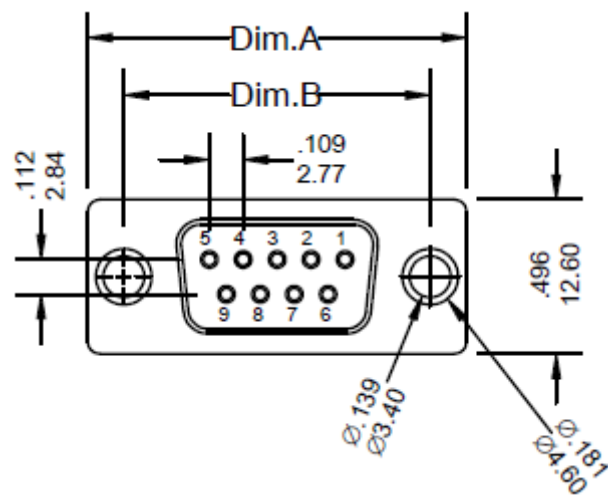
[www.edcon-components.com](http://www.edcon-components.com)

email: [info@edcon-components.com](mailto:info@edcon-components.com)

# EDCON-COMPONENTS



## Female Contact



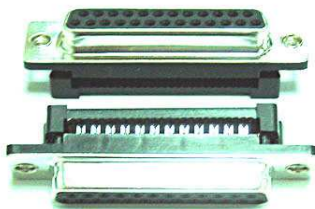
**D-Sub Connector I.D.C. for Flatcable Pitch 1,27mm**

Part No.: **T24G300**

Customer:

DRW:	Jason	CHKD	Wilson	MATL:	Wilson	TOLERANCE	Mason	DATE	10.04.2009
APPD:	Schumi			FINISH	Jamy		Sheet No.		3 from 4

# EDCON-COMPONENTS



## Ordering Informations

Serie	No. of contacts.	Contact Type	Shell Finish	Mounting Options	Strain Relief	Options 2	Contact Plating	Plastic Color	ROHS	Packing
<b>T24G300</b>	<b>09</b>	<b>M</b>	<b>T</b>	<b>A</b>	<b>0</b>	<b>0</b>	<b>S0</b>	<b>BL</b>	<b>R</b>	<b>TY</b>

<b>09=</b> Contacts	<b>M=</b> Male	<b>T=</b> Tin	<b>A=</b> trough hole	<b>0=</b> w/o strain relief	<b>0=</b> no options	<b>S0=</b> Selective Gold flash	<b>BK=</b> Black	<b>R=</b> ROHS Conform	<b>TY=</b> Tray Packing
<b>09 ~ 37</b> contacts	<b>F=</b> Female		<b>B=</b> with Rivet	<b>A=</b> with metal strain relief		<b>G0=</b> Gold flash	<b>BL=</b> Blue	<b>N=</b> NON ROHS Conform	<b>BU=</b> Bulk-Ware
				<b>B=</b> with plastic strain relief		<b>SD=</b> 30µ Selective Gold flash	<b>GY=</b> Gray		

**D-Sub Connector I.D.C. for Flatcable Pitch 1,27mm**

Part No.: **T24G300**

DRW:	Jason	CHKD	Wilson	MATL:	Wilson	TOLERANCE	Mason	DATE	10.04.2009
APPD:	Schumi			FINISH	Jamy		Sheet No.		4 from 4

Customer: