



DATA SHEET

D-SUB-Crimp-Housing Male / Female

Serie: T24E900

**D-SUB-Crimp-Housing
Male / Female**

Serie No.: **T24E900**

Customer:

DRW:	Jason	CHKD	Wilson	MATL:	Wilson	TOLERANCE	Mason	DATE	08.09.2017
APPD:	Schumi			FINISH	Jamy		Sheet No.		1 from 5

EDCON-COMPONENTS



Technical Informations

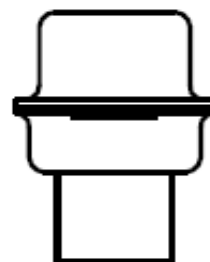
Material

Housing: Thermoplastics PBT-GF UL94V-0
 Contact: Brass or Bronze
 Shell: 0,35T Steel Nickel Plating All Area

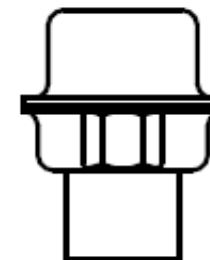
Electrical Characteristics

Current Rating: 5A
 Contact Resistance: 20 milliohm max.
 Withstanding Voltage: 500VAC for 1 Minute
 Insulation Resistance: 1000 Megaohms min.
 Operating Temperature: -55°C to +105°C

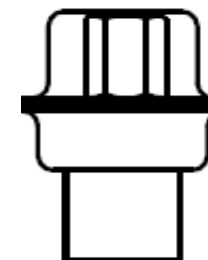
Mounting Options 1



A



B



C

Female Dimension of Case (mm)				
	9P	15P	25P	37P
A	16,33	24,66	38,38	54,84
B	24,99	33,32	47,04	63,50
C	30,80	39,10	53,00	69,50

Male Dimension of Case (mm)				
	9P	15P	25P	37P
A	16,92	25,25	38,96	55,42
B	24,99	33,32	47,04	63,50
C	30,80	39,10	53,00	69,50

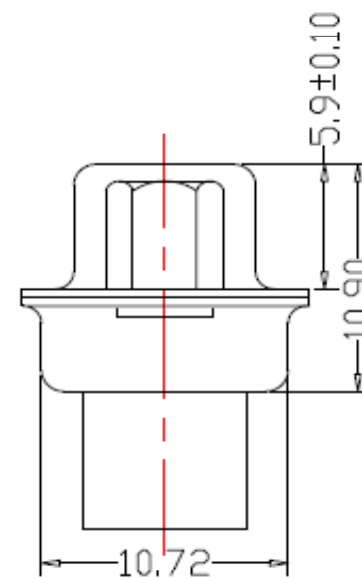
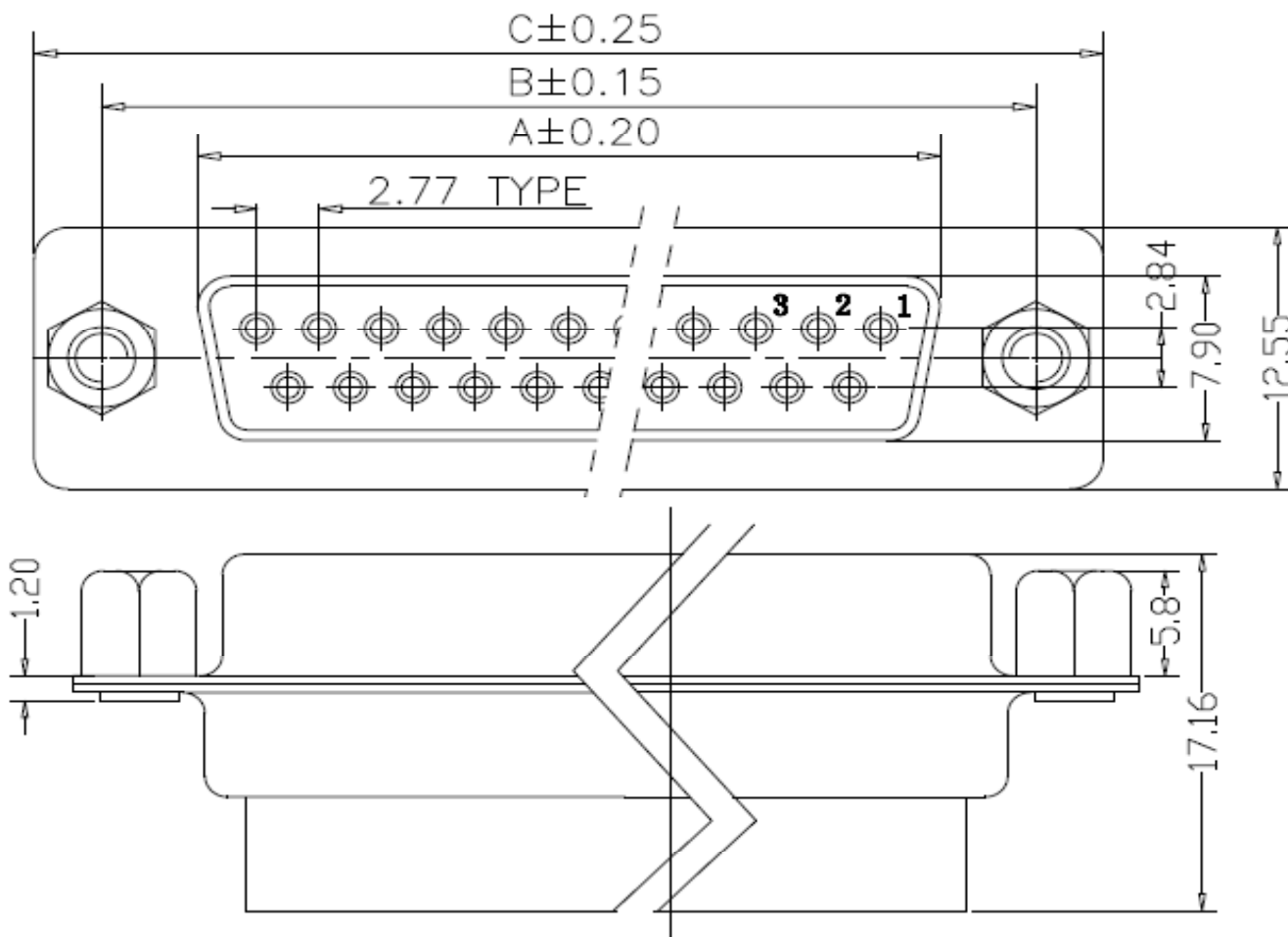
**D-SUB-Crimp-Housing
Male / Female**

Part No.: **T24E900**

DRW:	Jason	CHKD	Wilson	MATL:	Wilson	TOLERANCE	Mason	DATE	08.09.2017	Customer:
APPD:	Schumi			FINISH	Jamy		Sheet No.	2 from 5		



Female Housing



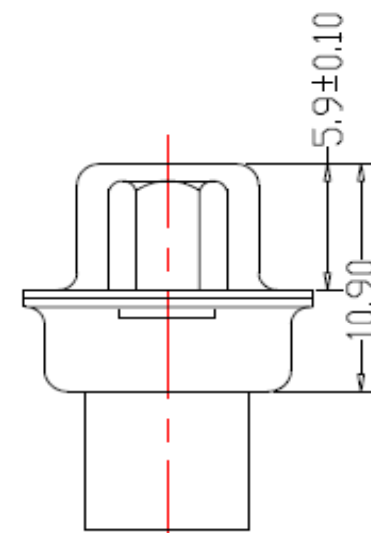
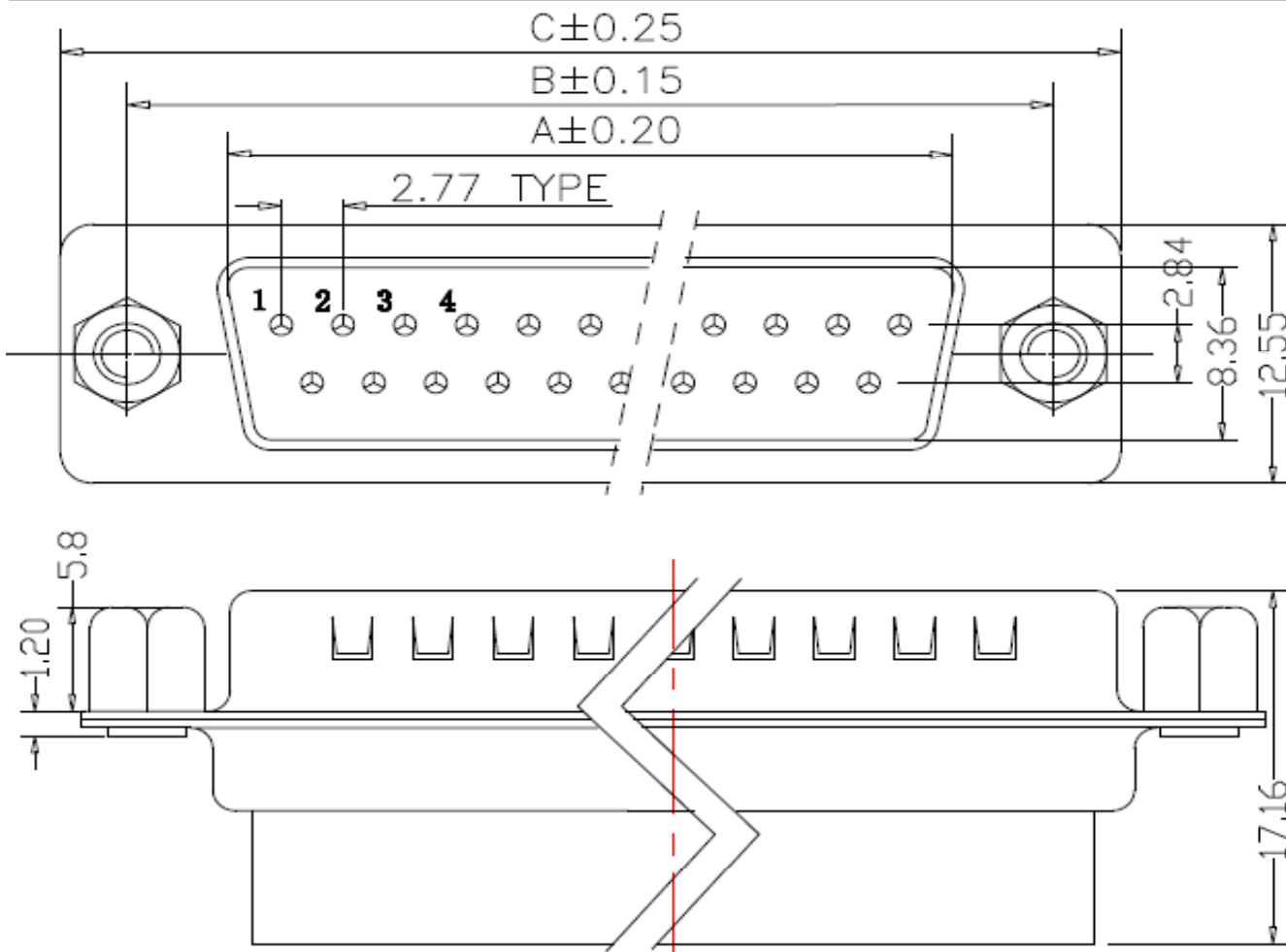
D-SUB-Crimp-Housing Male / Female	
Part No.:	T24E900
Customer:	

DRW:	Jason	CHKD	Wilson	MATL:	Wilson	TOLERANCE	Mason	DATE	08.09.2017
APPD:	Schumi			FINISH	Jamy		Sheet No.	3 from 5	

EDCON-COMPONENTS



Male Housing



D-SUB-Crimp-Housing Male / Female

Part No.: **T24E900**

Customer:

DRW:	Jason	CHKD	Wilson	MATL:	Wilson	TOLERANCE	Mason	DATE	08.09.2017
APPD:	Schumi			FINISH	Jamy		Sheet No.	4 from 5	

EDCON-COMPONENTS



Ordering Informations

Serie	No of Pos	Male / Female	Body Colour	Mounting Option 1	Special function	Special function	Special function	ROHS	Packing Code	
T24E900	09	F	BK	A	N	N	N	R	BU	
09 ~ 37	F= Female	BK= Black	A= only Hole	N= No function	N= No function	N= No function	R= ROHS Conform	BU= Bulk Ware		
	M= Male	BL= Blue	B= Nut on Rear Side				N= NON ROHS Conform	TY= Tray Package		
		WH= White	C= Nut on Front Side							
		GY= Gray								

**D-SUB-Crimp-Housing
Male / Female**

Part No.: **T24E900**

DRW:	Jason	CHKD	Wilson	MATL:	Wilson	TOLERANCE	Mason	DATE	08.09.2017
APPD:	Schumi			FINISH	Jamy		Sheet No.		5 from 5

Customer:
email: info@edcon-components.com