

EDCON-COMPONENTS



Specifications

Features

Contact Positions: 15, 26, 44, 62, 78
 Designed for different electronic equipments
 For high reliability and high density packing
 Optional plating available
 Mates with industry compatible connectors

Materials

Contact Brass
 Housing: PBT +30% Glass Fiber (UL 94V-0)
 Shell: cold roller steel

Electrical Characteristics

Current Rating: 5Ampere
 Withstanding Voltage: AC 1250V r.m.s.
 Insulation Resistance: 5000 Megaohms Minimum at DC500V
 Contact Resistance: 15 Milliohm Maximum
 Operation Temperature: -55°C ~ +105°C
 Applicable: P.C. Board thickness: (1,6mm)
 Applicable wire # 20AWG ~ 28AWG

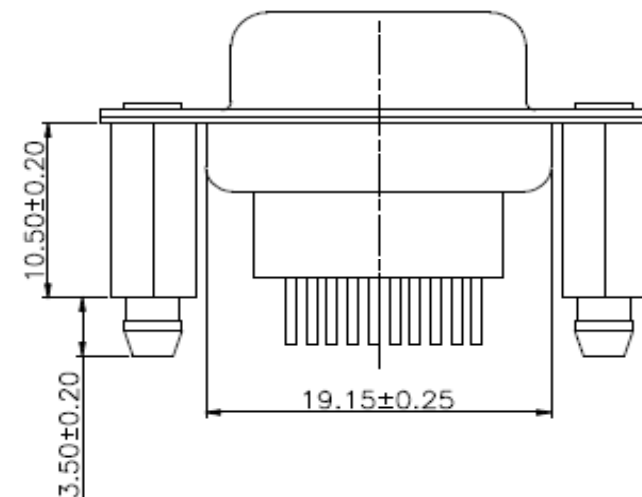
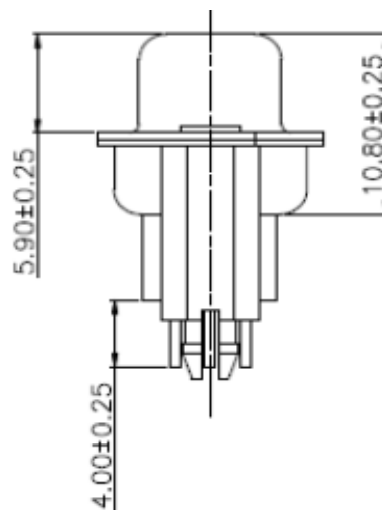
Mechanical Characteristics:

Contact Resistance Force: 341gr. Maximum
 Contact Separation Force: 20gr. Minimum

Finishes:

Contact Plating (look Order Code)
 Shell Plating (look order code)

Dimensions (mm)



**D-Sub High Density Connector
 Solder Cup for cable**

Part No.: **T23007**

Customer:

DRW:	Jason	CHKD	Wilson	MATL:	Wilson	TOLERANCE	Mason	DATE	10.11.2017
APPD:	Schumi			FINISH	Jamy		Sheet No.		1 from 5

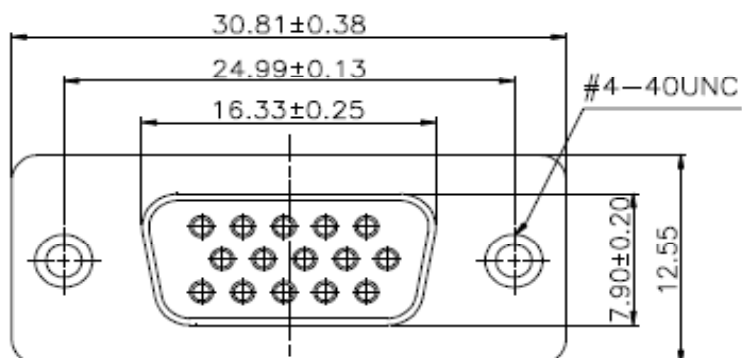
www.edcon-components.com

email: info@edcon-components.com

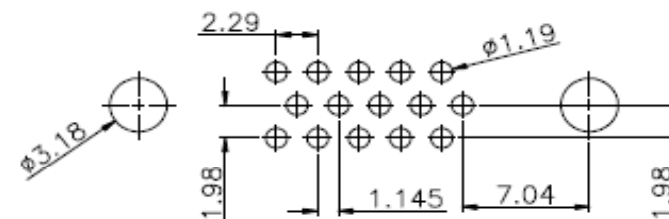
EDCON-COMPONENTS



Female Contact



PCB Layout



**D-Sub High Density Connector
Solder Cup for cable**

Part No.: **T23007**

DRW:	Jason	CHKD	Wilson	MATL:	Wilson	TOLERANCE	Mason	DATE	10.11.2017
APPD:	Schumi			FINISH	Jamy		Sheet No.	2 from 5	Customer:

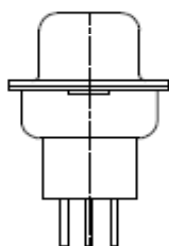
www.edcon-components.com

email: info@edcon-components.com

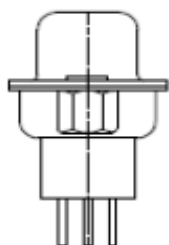
EDCON-COMPONENTS



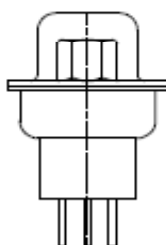
Mounting Options



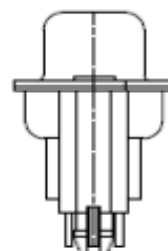
0= No accessories



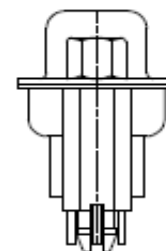
B= Rear Rivet



C= Front Rivet



D= Stand-off on rear Side Shell



E= Stand-off on rear Side Shell + Front rivet

**D-Sub High Density Connector
Solder Cup for cable**

Part No.: **T23007**

DRW:	Jason	CHKD	Wilson	MATL:	Wilson	TOLERANCE	Mason	DATE	10.11.2017
APPD:	Schumi			FINISH	Jamy		Sheet No.		3 from 5

Customer:

EDCON-COMPONENTS



Ordering Informations

Serie	No. of contacts.	Contact Type	Special function	Mounting Options	Front Mon-ting Option	Contact Plating	Plastic Color	ROHS	Packing
T23007	15	F	0	0	0	GF	WH	R	TY

15= Contacts	F= Female	0= No function	Look Page Monting Options	0= No Accessories	GF= Gold Flash	WH= White	R= ROHS Conform	TY= Tray Packing
				A= Zinc alloy 4,8mm Nickel	GA= 10µ Gold	BK= Black	N= NON ROHS Conform	BU= Bulk-Ware
				B= Zinc alloy 5,8mm Nickel	GB= 15µ Gold	BL= Blue		
				C= Iron alloy 4,8mm Nickel	GC= 30µ Gold	GY= Gray		
				D= Iron alloy 5,8mm Nickel	GD= 50µ Gold			
				E= Copper alloy 4,8mm Nickel	SF= Selective Gold flash			
				F= Copper alloy 5,8mm Nickel	SA= 5µ Selective Gold flash	SC= 15µ Selective Gold flash		
				G= Copper screw 4,8mm Nickel	SB= 10µ Selective Gold flash	SD= 30µ Selective Gold flash		
				H= Copper screw 5,8mm Nickel				

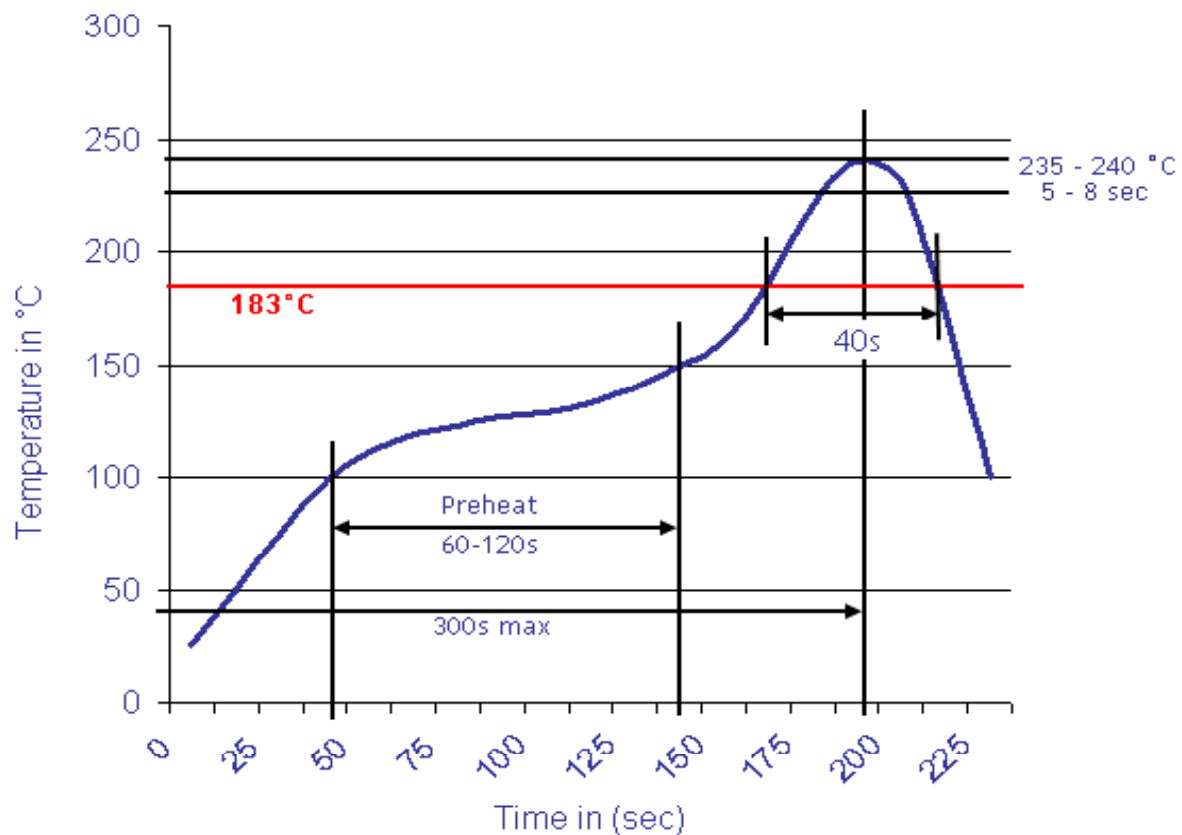
**D-Sub High Density Connector
Solder Cup for cable**

DRW:	Jason	CHKD	Wilson	MATL:	Wilson	X=±0,35	X.x=±0,25	X,xx=±0,20	X.xxx=±0,15	Part No.:	T23007
APPD:	Schumi			FINISH	Jamy	TOLERANCE	Mason	DATE	10.11.2017	Customer:	
						Sheet No.		4 from 5			



Soldering Profile Curve

Classification Reflow Profile (JEDEC J-STD-020C)



**D-Sub High Density Connector
 Solder Cup for cable**

Part No.: **T23007**

DRW:	Jason	CHKD	Wilson	MATL:	Wilson	TOLERANCE	Mason	DATE	10.11.2017
APPD:	Schumi			FINISH	Jamy		Sheet No.	5 from 5	Customer: