

EDCON-COMPONENTS

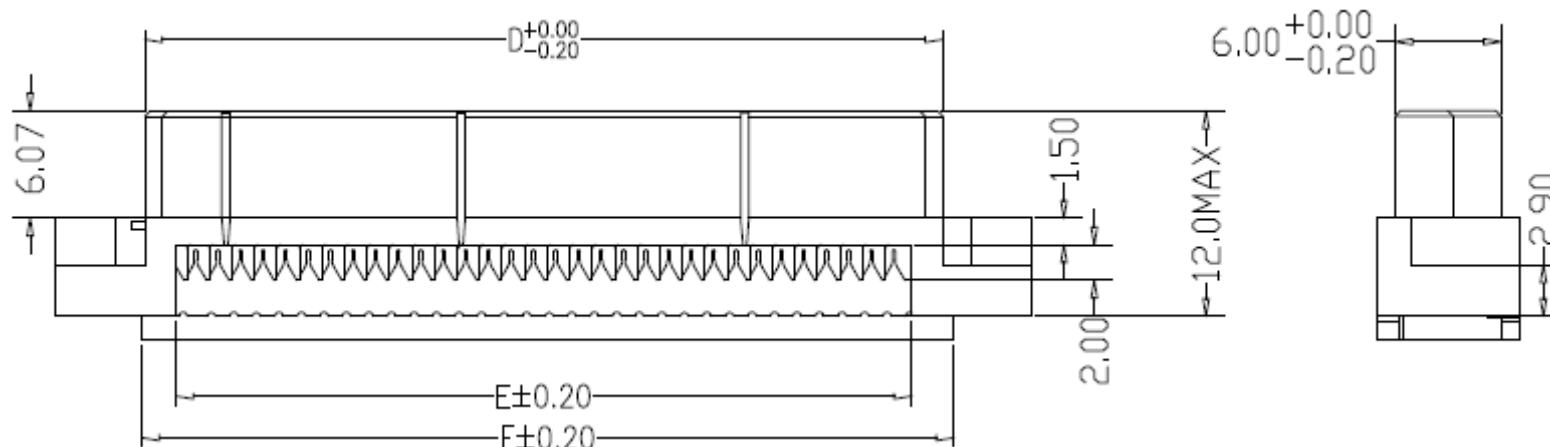
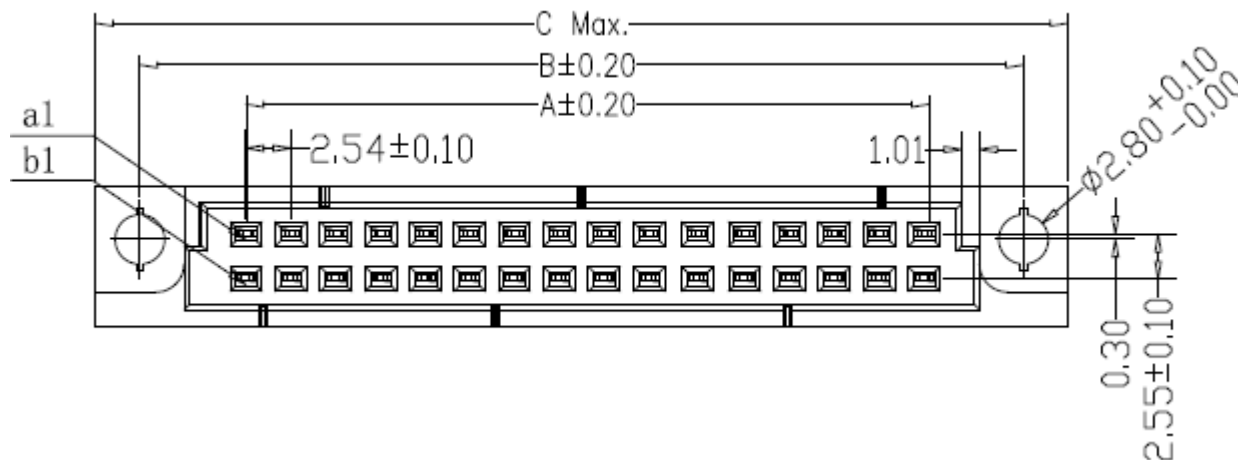


Specifications

Current Rating: 3,0A
 Operating Temperature: -55°C ~ +105°C
 Contact Resistance: 30 M Ω max.
 Withstanding Voltage: AC 1000V for 1 Minute
 Insulation Resistance: 1000M Ω min.

Contact Material: Brass
 Contact Plating: Au or Sn over Ni
 Insulator Material: PBT +30%GF UL 94V-0

Drawing (dimensions all into mm)



**DIN41612 Connector Full-Size
 Type B IDC Female**

Part No.: **T21120-**

Customer:

DRW:	Jason	CHKD	Wilson	MATL:	Wilson	TOLERANCE	Mason	DATE	18.02.2017
APPD:	Schumi			FINISH	Jamy		Sheet No.	1 from 2	

EDCON-COMPONENTS



Ordering Informations

Serie	Loaded Contacts	Termination Specification	Row Loaded Contacts	Contact Plating	Special function	Special function	ROHS	Packing		
T21120-	16	XX	J0	S0	N	N	R	TY		

16 = Pos.		A0= Only Row A	G0= Gold Flash	N= No Special	N= No Special	R= ROHS Conform	BU= Bulk Packing		
32 = Pos.			S0= Selectiv Gold Flash/Ni			N= NON ROHS	TY= Tray Packing		
64 = Pos.		C0= Row A + B	G1= 3µ AU Gold				IV= Individual Packing		
			G2= 5µ AU Gold						
			G3= 10µ AU Gold						
			G4= 15µ AU Gold						
			G5= 30µ AU Gold						
			S1= 3µ AU Gold / Ni	S4= 15µ AU Gold / Ni					
			S2= 5µ AU Gold / Ni	S5= 30µ AU Gold / Ni					
			S3= 10µ AU Gold / Ni	TN= Tin Plated					

**DIN41612 Connector Full-Size
Type B IDC Female**

Part No.: **T21120-**

Unless Otherwise specified tolerance					
X=± 0,35	X.X=± 0,25	X.XX=± 0,20	X.XXX=± 0,15		
DRW: Jason	CHKD: Wilson	MATL: Wilson	TOLERANCE: Mason	DATE: 18.02.2017	
APPD: Schumi	FINISH: Jamy		Sheet No.:	2 from 2	

Customer: